

---

---

# **maxon<sup>®</sup>**

---

---

## **SP-200K Series Synthesized Scanning Radio**



**Operating  
Instructions**

## Table of Contents

I.	FCC RF Exposure Compliance Requirements for Occupational Use Only.....	1
II.	Safety Information.....	1
III.	About Your SP-200K Series Radio.....	2
IV.	About Topaz3.....	2
V.	Unpacking Information.....	3
VI.	SP-200K Series Features.....	4
VII.	Description of Radio Components.....	5
VIII.	Antenna Installation.....	6
IX.	Installing and Removing the Battery Pack.....	6
X.	Attaching and Removing the Belt Clip.....	6
XI.	Battery Charging and Care.....	6
XII.	SP-200K Series Operation.....	7
	Power On - Volume - Power Off.....	7
	Channel Select /Channel Group Scan.....	7
	To Transmit.....	7
	To Receive.....	9
	Keypad Lock / Function Lock .....	9
XIII.	Status Indicators and Audible Alert Tones.....	9
XIV.	Scan Modes.....	10
	Normal Channel Scan.....	10
	Priority Channel Scan.....	11
XV.	Other Scanning Features.....	11
	Look Back.....	11
	Scan Channel Delete.....	11
	CTCSS / DCS Scanning.....	12
	Normal Scan TX.....	12
	Priority Scan TX.....	12
	Priority Only TX.....	12
	Receive Only Scan.....	12
XVI.	Scan List Edit.....	12
	Channel Group Edit.....	12
	Priority Channel Edit.....	13
XVII.	Possible Set-ups for the SP-200K Series.....	14
XVIII.	Compatible SP-200K / SP-210K Accessories.....	16
XIX.	FCC Licensing.....	16
XX.	Service.....	17
XXI.	Software Copyrights.....	17
XXII.	Maintenance.....	17
XXIII.	Product Warranty.....	18

## Contenido

I.	Requerimientos de Obediencia a la Exposición de RF del FCC - para uso Ocupacional Solamente.....	19
II.	Información Sobre Seguridad.....	20
III.	Acerca de Su Radio Serie SP-200K.....	20
IV.	Acerca de Topaz3.....	21
V.	Información para Desempacar.....	21
VI.	Funciones de la Serie SP-200K.....	22
VII.	Descripción de los Componentes del Radio.....	23
VIII.	Instalación de la Antena.....	24
IX.	Cómo Instalar y Retirar el Paquete de las Baterías.....	24
X.	Asegurar y Quitar el Clip de Cinturón.....	24
XI.	Cómo Cargar y Mantener la Batería.....	24
XII.	Funcionamiento de Serie SP-200K.....	25
	Encendido - Volumen - Apagado.....	25
	Selección de Canales / Búsqueda del Grupo de Canales.....	25
	Para Transmitir.....	26
	Para Recibir.....	27
	Bloqueo del Teclado Numérico / Bloqueo de la Función.....	27
XIII.	Indicadores de Estado y Tonos Audibles de Alerta.....	28
XIV.	Modos de Búsqueda.....	29
	Búsqueda Normal de Canales.....	29
	Buscar Canal Prioritario.....	30
XV.	Otras Funciones de Búsqueda.....	30
	Mirar Atrás.....	30
	Cómo Borrar un Canal de la Lista de Búsqueda.....	31
	Búsqueda CTCSS / DCS.....	31
	Búsqueda TX Normal.....	31
	Búsqueda TX Prioritaria.....	31
	TX Prioritaria Solamente.....	31
	Búsqueda para Recibir Solamente.....	31
XVI.	Editar la Lista de Búsqueda.....	32
	Editar el Grupo de Canales.....	32
	Editar Canal Prioritario.....	32
XVII.	Disposiciones Posibles para la Serie de SP-200K.....	33
XVIII.	Accesorios Compatibles SP-200K / SP-210K.....	35
XIX.	Licencia de la FCC.....	35
XX.	Servicio.....	35
XXI.	Derechos de Autor del Software.....	36
XXII.	Mantenimiento.....	36
XXIII.	Declaración de Garantía.....	37

## Table des Matières

I.	Conditions de Conformité d'Exposition de la FCC RF pour l'Usage Professionnel Seulement.....	38
II.	Informations sur la Sécurité.....	39
III.	Au Sujet de Votre Poste de Radio de la Série SP-200K.....	39
IV.	Au Sujet de Topaz3.....	40
V.	Déballage.....	40
VI.	Caractéristiques des Appareils de la Série SP-200K.....	41
VII.	Description des Composants de la Radio.....	42
VIII.	Montage de l'Antenne.....	43
IX.	Installation et Retrait de la Batterie.....	43
X.	Fixation et Retrait de l'Attache du Poste sur la Ceinture.....	43
XI.	Charge et Entretien de la Batterie.....	43
XII.	Utilisation des Radios de la Série SP-200K.....	44
	Marche - Volume - Arrêt.....	44
	Sélection des Canaux / Balayage d'un Groupe de Canal.....	44
	Transmission.....	45
	Recevoir.....	46
	Serrure de Bloc de Touches / Surrure de Fonction.....	46
XIII.	Indicateurs de Statut et Tonalités d'Avertissement Audibles.....	46
XIV.	Modes de Balayage.....	48
	Balayage de Canal Normal.....	48
	Balayage d'un Canal Prioritaire.....	48
XV.	Autres Caractéristiques du Balayage.....	48
	Retour en Arrière.....	48
	Effacement des Canal Balayés.....	49
	Balayage CTCSS / DCS.....	49
	Transmission (TX) Avec Balayage Normal.....	49
	Transmission (TX) Avec Balayage Prioritaire.....	49
	Transmission (TX) Prioritaire Seulement.....	50
	Balayage sur le Mode Réception Seulement.....	50
XVI.	Édition de la Liste de Balayage.....	50
	Édition d'un Groupe de Canal.....	50
	Édition d'un Canal Prioritaire.....	51
XVII.	Installations Possibles pour la Série de SP-200K.....	52
XVIII.	Accessoires Compatibles de SP-200K / SP-210K.....	54
XIX.	Licence par le FCC.....	54
XX.	Service.....	54
XXI.	Droits de Reproduction du Logiciel.....	55
XXII.	Entretien.....	55
XXIII.	Garantie de Produit.....	56

## I. FCC RF Exposure Compliance Requirements for Occupational Use Only

The Federal Communications Commission (FCC), with its action in General Docket 93-62, November 7, 1997, has adopted a safety standard for human exposure to Radio Frequency (RF) electromagnetic energy emitted by FCC regulated equipment. Topaz3 / Maxon subscribes to the same safety standard for the use of its products. Proper operation of this radio will result in user exposure far below the Occupational Safety and Health Act (OSHA) and Federal Communications Commission limits.

- CAUTION** - DO NOT transmit for more than 50% of total radio use time (50% duty cycle). Transmitting more than 50% of the time can cause FCC RF exposure compliance requirements to be exceeded.
- This radio is NOT approved for use by the general population in an uncontrolled environment. This radio is restricted to occupational use, work related operations only where radio operator must have the knowledge to control the user's exposure conditions for satisfying the higher exposure limit allowed for occupational use.
  - When transmitting, hold the radio in a vertical position with its microphone 2 inches (5 cm) away from your mouth.
  - This device has been approved for use, at a maximum duty factor of 50%, using the specific belt clip and leather belt-holster tested for body-worn SAR compliance. Other belt clips or body-worn accessories may not comply and should be avoided.
  - The radio is transmitting when the red LED on the front of the radio is illuminated. You can cause the radio to transmit by pressing the P-T-T bar on the radio.
  - These are required operating configurations for meeting FCC RF exposure compliance. Failure to observe these restrictions mean violation.

## II. Safety Information

**WARNING** - DO NOT hold the radio in such a manner that the antenna is next to, or touching, exposed parts of the body, especially the face or eyes, while transmitting.

**WARNING** - DO NOT allow children to operate transmitter-equipped radio equipment.

**CAUTION** - DO NOT operate the radio near unshielded electrical blasting caps or in an explosive atmosphere, unless it is a type especially designed and qualified for such use.

**CAUTION** - DO NOT press and hold the transmit bar (P-T-T) when not actually wishing to transmit.

### **III. About Your SP-200K Series Radio**

Maxon's SP-200K (VHF) and SP-210K (UHF) synthesized radios with DTMF keypad feature up to 13 scan groups with up to 16 channels per group for a total capacity of 199 channels.

**To assure satisfaction from the radio, we urge you to thoroughly read the operation and function information in this manual before operating your SP-200K Series.**

Application of some of the functions described in this manual are determined by the system you use. Your radio communications Dealer will program your radio so that you have the greatest number of functions possible relative to your needs.

Should you have questions regarding the operation of the radio, please consult your radio communications Dealer.

### **IV. About Topaz3**

Topaz3 is the exclusive supplier of Maxon®, Legacy and TruTalk brand communication products.

Our product line ranges from FCC licensed two-way radios suitable for Business and Industry (B&I) markets like farm, government, law enforcement, utility, etc. to consumer communications equipment for recreational and light-duty business markets.

Product offerings include a variety of UHF and VHF handheld and mobile radios, repeaters and RF link modules as well as FRS (Family Radio Service), GMRS (General Mobile Radio Service) radios, MURS (Multi User Radio Service) radios, Citizen's Band radios and weather monitors.

Available accessory items include a variety of carrying cases, spare batteries, desktop and mobile chargers, ear bud speaker microphones and more for each radio model.

For additional information on our product line, visit our website: [www.topaz3.com](http://www.topaz3.com)

## **V. Unpacking Information**

Remove and carefully inspect the contents of your package(s) for the following items:

- Radio
- Battery Pack
- Battery Charger
- Battery Charger Power Supply
- Antenna
- Belt Clip
- Operating Instructions

If any items are missing, please contact the radio communications Dealer from which you purchased the radio, or contact the Topaz3 Customer Service Department, 1-800-821-7848, Ext. 499.

## **VI. SP-200K Series Features**

- Synthesized operation with 199 channel capability (13 scan groups with up to 16 channels per group)
- 1 or 5 W programmable output power
- Programmable 12.5 /20 /25 kHz channel spacing
- Multi-tone Selcall format
- Fully programmable tone sets - including EEA, CCIR, and ZVEI
- Automatic Number Identification (ANI) on P-T-T
- DTMF Encoder
- Dual function keypad
- Emergency calling
- Stun and revive
- Group calling
- Programmer definable keys
- Optional penalty modes and P-T-T time-out
- Covert mode of operation
- Built-in inversion scrambler
- Status transmission
- CTCSS/DCS Tone signaling
- Channel scan
- Priority channel scan
- Look back channel
- Time-out timer
- Scan list edit
- Priority channel edit
- Busy channel lockout
- LCD Channel display
- Tri-color LED indicator
- Die-cast aluminum chassis, polycarbonate case

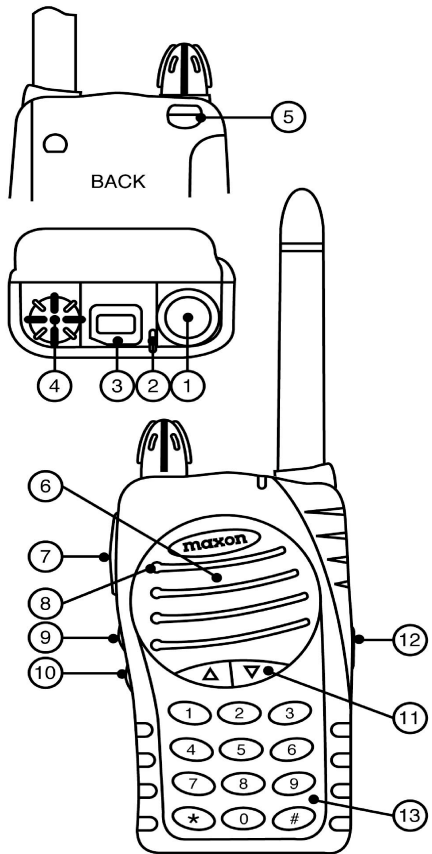


## VII. Description of Radio Components

- 1) Antenna Receptacle
- 2) Busy / TX Indicator
- 3) LCD Channel Display
- 4) On/Off - Volume Control
- 5) Battery Latch
- 6) Speaker
- 7) Push-To-Talk (P-T-T) Bar
- 8) Microphone
- 9) Scan Button / Key 1
- 10) Monitor Button / Key 2
- 11) Channel Selection Buttons
- 12) Accessory Connector
- 13) Keypad

### Not shown:

- Battery Charge Contacts
- Belt Clip



## VIII. Antenna Installation

Fasten the antenna to the radio by turning the antenna clockwise into the receptacle on top of the radio.

## IX. Installing and Removing the Battery Pack

**To attach the battery pack**, hold the radio face down in your hand and position the guides of the battery in line with the radio guide rails. Slide the battery upward until a click is heard. **To remove the battery pack**, hold the radio face down in your hand and push the battery latch button located in the upper right hand corner of the battery pack. Hold the battery latch button down, and slide the radio battery in a downward direction. Gently lift the battery pack away from the base of radio when it is free from the radio guide rails.

## X. Attaching and Removing the Belt Clip

**To attach the clip**, hold the radio face down in your hand. Locate the slot in the belt clip and align with holder on upper left hand corner of the radio back. Push upward on belt clip until a click is heard. **To remove the clip**, push and hold the release button located at the top of the belt clip. Slide the clip away from the belt clip holder.

## XI. Battery Charging and Care

Before initial operation, use the provided charger to **completely** charge the radio battery pack. Remove the charger base and power supply from the packaging, and plug in the power supply's DC connector into a jack on the back of the charging base. Plug the AC power cord into any standard 110V AC outlet.

To charge a battery while attached to a radio, simply place the radio into the front charging well. The charger will identify the battery condition, and then automatically initiate a charge mode - rapid or top-off / trickle.

To charge a battery removed from the radio, place the battery into the rear charging well. Again, the charger will identify the battery condition, and automatically rapid charge or top-off / trickle charge the battery pack. Note the color of the LED charge indicators: red for rapid charge cycle, green for the top-off / trickle charge cycle.

## **XI. Battery Charging and Care, continued**

When using both charging wells, only one can rapid charge at a time. The front charging well always has priority for rapid charging. After the front well cycles from rapid to top-off / trickle charge, the back well will initiate its rapid charge mode. Again, note the color of the charging well's LED to define the current charging cycle.

**NOTE:** To ensure peak performance from your radio, periodically discharge the battery completely and recharge fully. This action will prevent the battery from developing a "memory" of short-term use, and will permit a good service life.

## **XII. SP-200K Series Operation**

Many of the features of the SP-200K Series are defined by you and will have been determined by your radio communications Dealer and yourself. Refer to "Possible Set-ups for the SP-200K Series" on how your radio may have been programmed.

### **Power On - Volume - Power Off**

Turn the radio on by rotating the off / on - volume control clockwise. You will hear a click and (if enabled via Dealer programming), the radio's self-test alert tones. Increase the radio volume by continuing the clockwise rotation. To turn the radio off when you have finished transmitting, receiving, etc., rotate the control counter-clockwise to detent.

### **Channel Select / Channel Group Scan**

To change radio channels, simply press and release the ▲ or ▼ button until the desired channel is reached. Or, to scroll through your programmed channels more quickly, press and hold the ▲ or ▼ button. The channel numbers will appear in the radio's LCD (located at top of unit).

If your radio has been programmed for channel group scan, you must enter the scan mode by pressing the scan button (first button below the P-T-T bar). The current channel group will display on the radio's LCD. If you wish to change that selection, use the ▲ or ▼ button, until the LCD displays the channel group you wish to scan.

### **To Transmit**

**NOTE:** The Federal Communications Commission Rules and Regulations require that you monitor a channel for activity before transmitting, to avoid interrupting another user.

## XII. SP-200K Series Operation, continued

### To Transmit, continued

**Standard Transmit:** Press the monitor button (second button below the P-T-T bar) and check the color of the radio's top-panel LED. It will glow orange if RF activity is present; it will not be illuminated if the radio indicates a "clear" channel.

**The following comments are intended to be used as a guide only, due to the variable nature of the software and radio features.**

**Transmit a *fixed* Selcall address:** A short or long press on a Call Key, either Key 1 or Key 2 depending on set-up. Briefly the LED on the top panel illuminates red. Conversation can begin by pressing the P-T-T button.

**Transmit a *variable* Selcall address:** A variable Selcall address may be selected using the numerical keys (0 - 9). The number of variable digits will be determined at programming. Pressing the \* key generates the default address (Call 1) with appended variable digits. Pressing the # key generates the default address (Call 2) with appended variable digits.

**At power-up, the radio will default to Selcall mode.**

**To Transmit DTMF:** The radio can be programmed for DTMF transmission only, or can be programmed to toggle between Selcall and DTMF. If programmed with this "toggle keypad" mode, press the "toggle keypad" key (defined at programming stage) and press the DTMF keys to transmit. Pressing the "toggle keypad" key once more will return the keypad to Selcall mode. **In DTMF mode only, press the DTMF keys to transmit.**

With all of the above features, when the channel is "clear", hold the radio microphone area approximately 2 inches from your mouth, keeping the antenna vertical and away from face or eyes. Press and hold the P-T-T bar on the side of the radio, and begin speaking in a clear, normal tone. Release the P-T-T bar when you have finished speaking.

**CAUTION:** Operation of the transmitter without a proper antenna installed may result in permanent damage to the radio.

**NOTE:** The radio's LED will glow red continuously when you have the P-T-T bar pressed and are transmitting. If the red LED starts "flashing", the battery needs to be recharged and transmission will cease. Recharge the battery fully before attempting more than one transmission.

## **XII. SP-200K Series Operation, continued**

### **To Receive**

Flashing green LED indicates call received, and if programmed, an alert tone is generated. Conversation can then begin by pressing the P-T-T button. LED will continue to flash until call has been answered.

### **Keypad Lock / Function Lock**

Your radio has the ability to lock the channel ▲ or ▼ buttons and scan button to prevent accidental button presses. To lock these buttons, press and hold the scan button (first button below the P-T-T bar) for approximately 4 seconds. The display will show "LO" and two confirmation beeps will sound. To unlock the keypad, press and hold the scan button again for approximately 4 seconds.

The P-T-T and monitor buttons can be locked by pressing the \* and # keys at the same time for approximately 1 second. Repeat the procedure to unlock these buttons.

## **XIII. Status Indicators and Audible Alert Tones**

Your SP-200K Series radio has a sophisticated microprocessor control which provides a series of audible alert tones. Upon each power-up, a quick melody\* indicates that the self-test of the microprocessor functions has been completed. A series of tones may be sounded with any of the following conditions:

- Attempt to transmit on a channel set for receive only
- Attempt to transmit on a channel that is already in use when busy channel lockout has been programmed into the radio\*
- Transmitting time has exceeded time-out timer programmed length\*
- Low battery condition
- Selecting a channel with no programmed frequency
- P-T-T lockout
- TX Time-out-timer
- Toggling scrambler on and off
- Toggling keypad on and off
- Keypad alerts
- Side button alerts
- Decode of valid Selcall address
- Auto-mute alert

\* Indicates a function that is initially programmed into the radio by your Dealer.

See the Status Indicators and Audible Alert Tones chart on next page for details.

### XIII. Status Indicators and Audible Alert Tones, continued

STATUS	DESCRIPTION	LED COLOR	LCD INDICATION	AUDIBLE TONE
Normal	Power On - Ready	N/A	188	Melody
	Call Received	Orange	Channel Number	N/A
	Correct Call	Green	Channel Number	N/A
	Busy Channel	Orange	Channel Number	N/A
	Valid Selcall Decode	Green Flashing	Channel Number	One to Three Tone Alert
	Radio Stunned	N/A	Channel Number	Two Beeps
	Radio Received	N/A	Channel Number	Melody
	Transmit	Red	Channel Number	N/A
	Transmit Not Allowed	Red Flashing	Alternating UL / Channel Number	Two Beeps Repeated
	Keypad Lock	N/A	LO	Two Beeps Repeated
Scanning	Normal Scan Mode	Green Flashing	Group Number	N/A
	Priority Scan Mode	Green Flashing	N/A	N/A
	Priority Look Back Scan Mode	Green Flashing	Lb / Channel number	N/A
Scan Edit	Edit Scan List	Red Single Flash	SE	N/A
Priority Edit	Edit Priority Channel	Red Two Flashes	PE	N/A
Warning	Low Battery	Red Flashing	LC	3 Beeps Repeated
	Busy Channel Lockout	Orange	bL	Single Beep Repeated
	TX Inhibit	N/A	_h/rO	Two Beeps
	Time-Out-Timer	N/A	Pt	Single Beep / 3 Beeps Repeated
Error	EEPROM	N/A	Er	Single Beep Repeated
	Unlock	N/A	UL	Two Beeps Repeated

**NOTE:** All audible tones can be programmed "off" for silent operation.

### XIV. Scan Modes

Scanning is a Dealer programmable feature that allows you to monitor a number of channels or channels within a Group. Your radio communications Dealer will help you define a scanning mode and your channel "scan list" .

#### Normal Channel Scan

Once the scan list has been established, initiate scan by pressing and releasing the scan button (first button below the P-T-T bar).

If a conversation is detected on any of the channels in the scan list, the radio will stop on that channel and you will be able to hear the conversation. If programmed for normal scan TX, you will be able to transmit on that active

## XIV. Scan Modes, continued

### Normal Channel Scan, continued

channel during the programmable scan delay time. (The scan delay time is the amount of time the radio will stay on that channel once activity has ceased. Dealer programmable, 4-7 seconds is typical). The radio will resume scanning once the scan delay time has expired, and will continue to scan until the channel is changed. The LED will flash green.

### Priority Channel Scan

A single channel may be programmed as the "Priority" channel. The radio will constantly monitor this channel while scanning and when the radio has stopped on an active channel. If a call is detected on the priority channel, the radio will automatically move to, and remain on, the priority channel for as long as the priority conversation takes place. Priority channel activity takes precedence over all other conversations. To activate the Priority scan mode, press and release the scan button (first button below the P-T-T bar). The LED will flash green.

## XV. Other Scanning Features

### Look Back

This feature is ideal for those who do not need scan as defined above, but want to make sure that they never miss a call on the "Priority" channel if another channel has been selected. Once a channel has been selected, the radio will periodically "look back" at the priority channel. If activity is detected on the priority channel, the radio will move to that channel for as long as it remains active. To enter the "look back" mode, press and hold the scan button (first button below the P-T-T bar). **Lb / Channel number** will be shown in the display, the LED will flash green.

**NOTE:** Look back requires that the radio leave the current channel for a fraction of a second (at regular intervals) to check the priority channel for activity. Depending upon how the radio is programmed (scan speed, etc.) this may or may not be noticeable as "breaks" on the current channel for that same fraction of a second. A transmission will be made on the active channel at all times.

### Scan Channel Delete

To temporarily delete a channel from the scan list, simply press the monitor button (second button below the P-T-T bar) while scanning and stopped on the channel to be deleted. This will remove that channel from the scan list

## **XV. Other Scanning Features, continued**

### **Scan Channel Delete, continued**

until the channel is changed or the radio's power is reset. When power is restored or the scan list channel position is selected again, the originally programmed scan list will be activated.

### **CTCSS / DCS Scanning**

To help block out unwanted calls to your radio, the SP-200K Series can be programmed by your Dealer to scan for tones.

### **Normal Scan TX**

Allows a transmission only after a call is received, depending on the programmed scan delay time. After scan resumes, and a transmission is made, the radio will sound two beeps, display **\_h** and will not allow a transmission.

### **Priority Scan TX**

Allows a transmission after a call is received depending on programmed scan delay time. The transmission will be made on the channel that the call was received. After the scan resumes, if a transmission is made, the radio will transmit on the programmed priority channel.

### **Priority Only TX**

Allows a transmission on the priority channel when scanning and not stopped on an active channel. It will always transmit on the priority channel if scanning or stopped on an active channel.

### **Receive Only Scan**

This allows only reception, not transmission. If a transmission is made at any time, the radio will sound two beeps, display **r0** and will not allow the transmission.

## **XVI. Scan List Edit**

You can edit your radio's original scan list and priority scan channel at any time. Please note, if your radio has been programmed for channel-only scan, you will not be able to edit your scan list, only your priority channel.

### **Channel Group Edit**

To edit the group scan list in a radio programmed for channel group scan, turn the radio off, press and hold scan button, (first button below the P-T-T bar). While holding scan button, turn the radio on, and observe a single



## XVI. Scan List Edit, continued

### Channel Group Edit, continued

red flash of the LED. The display will read **SE**. Release the scan button.

The first group number will be displayed. If you do not wish to edit the group you have selected press the ▲ or ▼ button to select the desired channel groups you wish to edit. After channel group selection has been made, press and release the scan button (first button below the P-T-T bar). The channel number within your selected channel group may now be edited.

If the channel number is flashing, that channel is already included in the scan list of the selected channel group. If the channel number is solid, the channel can be added or deleted from the scan list. Press and release the monitor button, (second button below the P-T-T bar), the selected channel will flash if it was added to the scan list or be solid if it was deleted from the scan list.

To edit other channels, press the ▲ or ▼ buttons to select the desired channel within the channel group. To add or delete the newly selected channel from the channel group scan list, repeat the process detailed above. Upon completion of editing channels on your channel group scan list, press and release the scan button, (first button below the P-T-T bar). Your new channel group scan list should be entered at this time.

### Priority Channel Edit

Only one priority channel can be programmed into the radio. To edit a priority channel, turn the radio off, press and hold scan button (first button below the P-T-T bar). While holding the scan button, turn radio on, and release the scan button after the second red flash of the LED. **PE** will be shown in the display. Release the scan button. The first channel number will be displayed. If displayed channel is not your priority channel, press and release the ▲ or ▼ button to select the desired priority channel.

After you have selected the channel, a flashing channel number indicates that the channel is already selected as priority. If channel number is solid, the channel is not selected as priority. To add or delete the selected channel as the priority channel, press and release the monitor button, (second button below the P-T-T bar). The selected channel will flash if it was added as a priority channel or will be solid if deleted as the priority.

Upon completion of adding or deleting the priority channel, press and release the scan button. Your new priority channel should be entered at this time.

## XVII. Possible Set-ups for the SP-200K Series

Check off appropriate settings below:

Power-up Alert	ON ( )	OFF ( )
Scrambler On at Power-up	ON ( )	OFF ( )
Scrambler On / Off Alert	ON ( )	OFF ( )
Permanent Scrambler	YES ( )	NO ( )
<b>P-T-T:</b>		
P-T-T Lockout until valid Selcall	YES ( )	NO ( )
Automatic Number ID (ANI)	YES ( )	NO ( )
Both	YES ( )	NO ( )
<b>Keypad:</b>		
Selcall Only	YES ( )	NO ( )
DTMF Only	YES ( )	NO ( )
Both	YES ( )	NO ( )
<b>Key 1 - Short Press = (Press and Immediate Release):</b>		
Toggle Scrambler	YES ( )	NO ( )
Call 1	YES ( )	NO ( )
Call 2	YES ( )	NO ( )
Emergency Call	YES ( )	NO ( )
Group Call	YES ( )	NO ( )
Stun / Revive	YES ( )	NO ( )
Toggle Monitor	YES ( )	NO ( )
Covert On / Off	YES ( )	NO ( )
Toggle Keypad	YES ( )	NO ( )
<b>Key 1 - Long Press = (Press and Hold for 2 Seconds):</b>		
Toggle Scrambler	YES ( )	NO ( )
Call 1	YES ( )	NO ( )
Call 2	YES ( )	NO ( )
Emergency Call	YES ( )	NO ( )
Group Call	YES ( )	NO ( )
Stun / Revive	YES ( )	NO ( )
Toggle Monitor	YES ( )	NO ( )
Covert On / Off	YES ( )	NO ( )
Toggle Keypad	YES ( )	NO ( )

## XVII. Possible Set-ups for the SP-200K Series, continued

Check off appropriate settings below:

### Key 2 - Short Press = (Press and Immediate Release):

Toggle Scrambler	YES ( )	NO ( )
Call 1	YES ( )	NO ( )
Call 2	YES ( )	NO ( )
Emergency Call	YES ( )	NO ( )
Group Call	YES ( )	NO ( )
Stun / Revive	YES ( )	NO ( )
Toggle Monitor	YES ( )	NO ( )
Covert On / Off	YES ( )	NO ( )
Toggle Keypad	YES ( )	NO ( )

### Key 2 - Long Press = (Press and Hold for 2 Seconds):

Toggle Scrambler	YES ( )	NO ( )
Call 1	YES ( )	NO ( )
Call 2	YES ( )	NO ( )
Emergency Call	YES ( )	NO ( )
Group Call	YES ( )	NO ( )
Stun / Revive	YES ( )	NO ( )
Toggle Monitor	YES ( )	NO ( )
Covert On / Off	YES ( )	NO ( )
Toggle Keypad	YES ( )	NO ( )

## **XVIII. Compatible SP-200K / SP-210K Accessories**

- 900 mAh Prismatic battery pack (QPA-900)
- 1350 mAh NiMH Battery pack (QPA-1350)
- VHF Antenna, uncut, 148-174 MHz, SMA (ACC-102)
- UHF Antenna, 440-470 MHz, 3-1/2" , SMA (ACC-100)
- Dual slot / dual rate desktop charger (ACC-400K)
- Ultra-lite headset with locking connector (ACC-616)
- Over-the-head noise-attenuating headset (ACC-626)  
(requires ACC-506 adaptor)
- Behind-the-head noise-attenuating headset (ACC-627)  
(requires ACC-506 adaptor )
- Ear bud speaker with in-line P-T-T, microphone and locking connector (ACC-706)
- Lapel speaker microphone with ear jack and locking connector (ACC-726)
- Heavy Duty speaker microphone with audio earphone jack (ACC-727)
- Coil-cord earphone, used with ACC-727 (QPA-1424)
- Ear speaker, for use with ACC-726 (WTA-9F)
- Leather case with swivel (ACC-300)
- Nylon case with belt clip (ACC-301)
- 2-pin to 1-pin Accessory adaptor (ACC-506)

## **XIX. FCC Licensing**

The Federal Communications Commission requires the operator of this radio be properly licensed under the applicable Part and/or Parts of the FCC Rules and Regulations.

Consult with your radio communications Dealer, or contact the nearest FCC field office for information about obtaining a license.

## **XX. Service**

Do not tamper with internal adjustments. Damage to the equipment and/or improper operation may result. There are no serviceable items inside the radio. It is recommended that you return your radio to a qualified radio communications Dealer for any service or repairs.

## **XXI. Software Copyrights**

The Topaz3 / Maxon product(s) described in these operating instructions may include copyrighted Topaz3 / Maxon software programs stored in semi-conductor memories or other media. Laws in the United States and other countries preserve for Topaz3 / Maxon certain exclusive rights for copyrighted software programs, including the exclusive right to copy or reproduce in any form the copyrighted software program.

Accordingly, the copyrighted Topaz3 / Maxon software programs contained in the Topaz3 / Maxon products described in this operating manual may not be copied or reproduced without the express written permission of Topaz3, LLC.

Furthermore, the purchase of Topaz3 / Maxon products shall not be deemed to grant either directly or by implication, estoppel, or otherwise, any license under the copyrights, patents or patent applications of Topaz3, LLC, except for normal non-exclusive, royalty-free license to use that arises by operation of law in the sale of a product.

## **XXII. Maintenance**

Your SP-200K Series radio is designed to be maintenance free. To keep your radio in good working condition, follow these cleaning instructions:

- Clean external surfaces with a clean cloth dampened in a solution of mild dishwasher detergent diluted in water. Apply the solution sparingly to avoid any moisture leaking into cracks and crevices. DO NOT submerge the radio. Use only a non-metallic brush to dislodge particles, if necessary. Dry the surface thoroughly with a soft, lint-free cloth.
- DO NOT use solvents or spirits for cleaning - they may permanently damage the housing.
- Clean the battery and accessory port contacts with a lint-free cloth to remove dirt, grease or foreign materials that may impede good electrical contact.

## **XXIII. Product Warranty**

Topaz3, LLC (herein Topaz3), warrants each new radio product manufactured or supplied by it to be free from defects in material and workmanship under normal use and service for the time period listed below, provided that the user has complied with the requirements stated herein. The Warranty period begins on the date of purchase from an Authorized Topaz3 Sales and Service Outlet. This Warranty is offered to the original end user and is not assignable or transferable. Topaz3 is not responsible for any ancillary equipment which is attached to or used in conjunction with Maxon and Legacy products.

Topaz3 offers to the original end user a Two (2) Year Limited Warranty on all Maxon and Legacy Business and Industrial Radio Products. Accessories carry a One (1) Year Limited Warranty.

During this period, if the product fails to function under normal use because of manufacturing defect(s) or workmanship, it should be returned to the Authorized Topaz3 Sales and Service Outlet from which it was purchased. The Sales and Service Outlet will repair the product, or return the product for repair to Topaz3 or its Authorized Repair Depot. The user is responsible for the payment of any charges or expenses incurred for the removal of the defective product from the vehicle or other site of its use; for the transportation of the product to the Sales and Service Outlet; for the return of the repaired / replacement product to the site of its use and for the reinstallation of the product.

Topaz3 shall have no obligation to make repairs or to cause replacement required which results from normal wear and tear or is necessitated in whole or in part by catastrophe, fault or negligence of the user, improper or unauthorized alterations or repairs to the Product, incorrect wiring, use of the Product in a manner for which it was not designed, or by causes external to the Product. This warranty is void if the product serial number is altered, defaced or removed.

Topaz3's sole obligation hereunder shall be to replace or repair the Product covered in this Warranty. Replacement, at Topaz3's option, may include a similar or higher-featured product. Repair may include the replacement of parts or boards with functionally equivalent reconditioned or new parts or boards. Replaced parts, accessories, batteries or boards are warranted for the balance of the original time period. All replaced parts, accessories, batteries or boards become the property of Topaz3.

**THE EXPRESS WARRANTIES CONTAINED HEREIN ARE IN LIEU OF ALL OTHER WARRANTIES, EITHER EXPRESSED OR IMPLIED OR STATUTORY, INCLUDING, WITHOUT LIMITATION, ANY WARRANTY OF MERCHANTABILITY OR FITNESS FOR A PARTICULAR PURPOSE.**

**FOR ANY PRODUCT WHICH DOES NOT COMPLY WITH THE WARRANTY SPECIFIED, THE SOLE REMEDY WILL BE REPAIR OR REPLACEMENT. IN NO EVENT WILL TOPAZ3 BE LIABLE TO THE BUYER OR ITS CUSTOMERS FOR ANY DAMAGES, INCLUDING ANY SPECIAL, INCIDENTAL, INDIRECT OR CONSEQUENTIAL DAMAGES, OR THE LOSS OF PROFIT, REVENUE OR DATA ARISING OUT OF THE USE OF OR THE INABILITY TO USE THE PRODUCT.**

This Warranty is void for sales and deliveries outside of the U.S.A. or Canada.

## Contenido

I.	Requerimientos de Obediencia a la Exposición de RF del FCC - para uso Ocupacional Solamente.....	19
II.	Información Sobre Seguridad.....	20
III.	Acerca de Su Radio Serie SP-200K.....	20
IV.	Acerca de Topaz3.....	21
V.	Información para Desempacar.....	21
VI.	Funciones de la Serie SP-200K.....	22
VII.	Descripción de los Componentes del Radio.....	23
VIII.	Instalación de la Antena.....	24
IX.	Cómo Instalar y Retirar el Paquete de las Baterías.....	24
X.	Asegurar y Quitar el Clip de Cinturón.....	24
XI.	Cómo Cargar y Mantener la Batería.....	24
XII.	Funcionamiento de Serie SP-200K.....	25
	Encendido - Volumen - Apagado.....	25
	Selección de Canales / Búsqueda del Grupo de Canales.....	25
	Para Transmitir.....	26
	Para Recibir.....	27
	Bloqueo del Teclado Numérico / Bloqueo de la Función.....	27
XIII.	Indicadores de Estado y Tonos Audibles de Alerta.....	28
XIV.	Modos de Búsqueda.....	29
	Búsqueda Normal de Canales.....	29
	Buscar Canal Prioritario.....	30
XV.	Otras Funciones de Búsqueda.....	30
	Mirar Atrás.....	30
	Cómo Borrar un Canal de la Lista de Búsqueda.....	31
	Búsqueda CTCSS / DCS.....	31
	Búsqueda TX Normal.....	31
	Búsqueda TX Prioritaria.....	31
	TX Prioritaria Solamente.....	31
	Búsqueda para Recibir Solamente.....	31
XVI.	Editar la Lista de Búsqueda.....	32
	Editar el Grupo de Canales.....	32
	Editar Canal Prioritario.....	32
XVII.	Disposiciones Posibles para la Serie de SP-200K.....	33
XVIII.	Accesorios Compatibles SP-200K / SP-210K.....	35
XIX.	Licencia de la FCC.....	35
XX.	Servicio.....	35
XXI.	Derechos de Autor del Software.....	36
XXII.	Mantenimiento.....	36
XXIII.	Declaración de Garantía.....	37

## **I. Requerimientos de Obediencia a la Exposición de RF del FCC - para uso Ocupacional Solamente**

La Comisión Federal de Comunicaciones (FCC), con su medida en Registro General 93-62, del 7 de noviembre de 1997, ha adoptado una norma de seguridad para la exposición humana a la energía electromagnética de radiofrecuencia (RF) emitida por equipo regulado por la FCC. Topaz3 / Maxon adopta la misma norma de seguridad para el uso de sus productos. La operación adecuada de este radio resultará en una exposición del usuario muy inferior a los límites establecidos por el Acta de Seguridad y Salud Ocupacional (OSHA) y la Comisión Federal de Comunicaciones.

**PRECAUCIÓN -** NO transmita por más de 50% del tiempo del uso total del radio (ciclo de trabajar de 50%). Transmitiendo más del 50% del tiempo puede causar que los requisitos del RF del FCC de la conformidad de la exposición sean excedido.

- El radio NO esta aprobado por uso por la población general en un ambiente libre. Esta radio está restringido al uso ocupacional, a las operaciones relacionadas al trabajo solamente donde el operador de radio debe tener el conocimiento para controlar las condiciones de la exposición del usuario para satisfacer el Límite más alto de exposición permitido para el uso ocupacional.
- Cuando transmite, sostenga el radio en una posición vertical con su micrófono 5 cm lejos de su boca.
- Este disposition se ha probado para usar como un factor de función máxima del 50%, usando el eclip del cinturón y estuche de cuero específico para usar en el cuerpo; probado en conformidad con la organización SAR. Otros clips del cinturón o accesorios para usar en el cuerpo pueden no conformarse y deben ser evitados.
- El radio transmite cuando el diodo luminoso se ilumina rojo en el frente del radio. Presionando el conmutador de P-T-T en del radio causa el radio a transmitir.
- Estas son configuraciones de funcionamiento requeridas para la conformidad de la reunión de exposición de la FCC RF. Incumplimiento de observar estas restricciones, significa violación.



## II. Información Sobre Seguridad

**ADVERTENCIA** - NO sostenga el radio de manera tal que la antena esté junto a, o toque, partes expuestas del cuerpo, especialmente la cara o los ojos, mientras transmite.

**ADVERTENCIA** - NO permita que los niños operen este equipo de radio equipado con transmisor.

**PRECAUCIÓN** - NO opere el radio cerca de cápsulas eléctricas no protegidas o en una atmósfera explosiva a menos que sea un tipo especialmente diseñado y apto para dicho uso.

**PRECAUCIÓN** - NO oprima y sostenga el interruptor de transmisión (P-T-T) cuando no desee transmitir.

## III. Acerca de Su Radio Serie SP-200K

Radios sintetizados con teclado numérico de DTMF SP-200K (VHF) y SP-210K (UHF) de Maxon ofrecen hasta 13 grupos de búsqueda con hasta 16 canales por grupo, lo que compone una capacidad total de 199 canales.

**Para lograr un funcionamiento satisfactorio de su radio, le recomendamos que lea cuidadosamente la información sobre operación y funciones que ofrece este manual antes de hacer funcionar su radio Serie SP-200K.**

La aplicaciones de algunas de las funciones descritas en este manual son determinadas por el sistema que use. Su distribuidor de comunicaciones por radio programará su radio para que logre el mayor número de funciones posibles en relación con sus necesidades.

Si tiene alguna pregunta con respecto al funcionamiento del radio, por favor acuda a su distribuidor de comunicaciones por radio.

## **IV. Acerca de Topaz3**

Topaz3 es el proveedor exclusivo de las marcas de productos Maxon®, Legacy y TruTalk.

Nuestra línea de productos alcanza desde radios de dos vías convenientes para mercados de Negocios e Industrias (B & I) tales como granjas o fincas, gobierno, personal que ejecuta la ley, servicio público, etc. a equipos para comunicaciones del consumidor para uso de mercados recreacionales y de negocios con funciones livianas.

Los productos incluyen una variedad de radios portátiles y móviles de UHF y VHF, repetidoras y módulos de RF Link, tanto como Radios de Servicio Familiar (FRS), Servicio General de Radios Móviles (GMRS), Multi Servicio de Radio del Utilizador (MURS), Radios de Banda Ciudadana y monitores del tiempo.

Items de accesorios disponibles incluyen una variedad de estuches para cargar los radios, baterías, cargadores de escritorios y móviles, micrófonos parlantes de oído y más para cada modelo de radio.

Para información adicional de los productos de Topaz3, visite nuestro website en [www.topaz3.com](http://www.topaz3.com)

## **V. Información para Desempacar**

Retire e inspeccione cuidadosamente el contenido de la/s caja/s para verificar que contenga los siguientes elementos:

- Radio
- Paquete de baterías
- Cargador de baterías
- Fuente de alimentación para el cargador de baterías
- Antena
- Clip de cinturón
- Instrucciones de Funcionamiento

Si faltara cualquiera de estos elementos, comuníquese con el distribuidor de comunicaciones por radio a quien compró los radios, o consulte al departamento de Servicios al Cliente de Topaz3 al 1-816-891-6320, extensión 499 o 1-800-821-7848, extensión 499.

## **VI. Funciones de la Serie SP-200K**

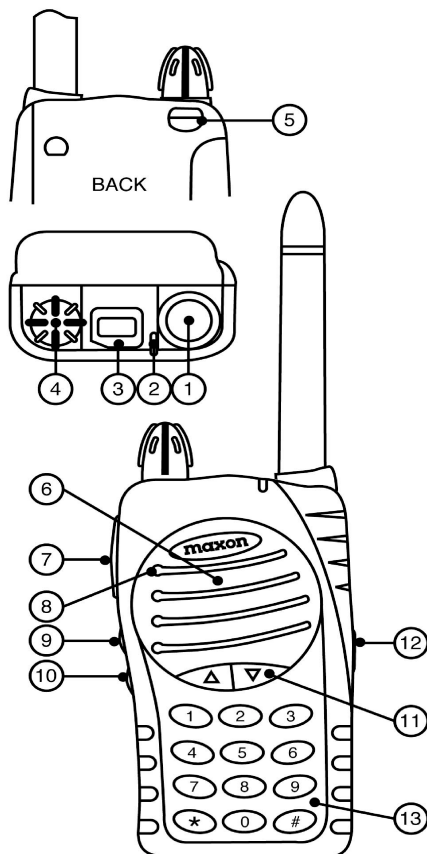
- Funcionamiento sintetizado con capacidad para 199 (13 grupos de búsqueda con hasta 16 canales por grupo)
- Potencia de salida programable de 1 o 5 W (Vatios)
- Espaciador de canal de 12,5 /20 /25 kHz programable
- Formato de multi-tono Selcall
- Sets de tonos completamente programables - incluyendo EEA, CCIR y ZVEI
- Identificación automática del número en el P-T-T
- Codificador de DTMF
- Teclado numérico dual de la función
- Llamada de emergencia
- Atente y restablezca
- Llamada de grupo
- Claves definibles del programador
- Modos opcionales de la pena y temporización del P-T-T
- Modo de operación secreto
- Incorporado inversión de desmodulador
- Transmisión del estatus
- Tonos indicadores CTCSS / DCS
- Búsqueda de canal
- Búsqueda de canal prioritario
- Canal de búsqueda hacia atrás
- Reloj de suspensión temporal
- Edición de lista de búsqueda
- Edición del canal prioritario
- Traba de canales ocupados
- Pantalla LCD de canales
- Despligue de una luz tri-color
- Chasis de aluminio con caja de polycarbonato

## VII. Descripción de los Componentes del Radio

- 1) Receptáculo de la Antena
- 2) Indicador de Ocupado/TX
- 3) Pantalla LCD de Canales
- 4) Encendido - Apagado - Control de Volumen
- 5) Traba de las Batería
- 6) Altavoz
- 7) Barra P-T-T (Push-To-Talk) de Presionar-Para-Hablar
- 8) Micrófono
- 9) Botón de Scan (búsqueda) Clave 1
- 10) Botón de Monitor Clave 2
- 11) Botones de Selección de Canales
- 12) Conector Accesorio
- 13) Teclado Numérico

### No mostrados:

- Contactos para Cargar la Batería
- Clip para Cinturón



## VIII. Instalación de la Antena

Conecte la antena al radio girándola en el sentido de las manecillas del reloj en el receptáculo ubicado en la parte superior del radio.

## IX. Cómo Instalar y Retirar el Paquete de las Batería

**Para instalar el paquete de las baterías**, sostenga el radio hacia abajo en la mano y alinee las guías de la batería con las barras de guía del radio. Deslice la batería hacia arriba hasta oír un chasquido. **Para retirar el paquete de la batería**, sostenga el radio apuntando hacia abajo en la mano y oprima el botón de traba de la batería ubicado en la esquina superior derecha del paquete de la batería. Mantenga oprimido el botón de traba de la batería y deslice la batería en dirección hacia abajo. Con cuidado levante el paquete de la batería fuera de la base del radio una vez que se haya liberado de las barras de guía.

## X. Asegurar y Quitar el Clip de Cinturón

**Para asegurar el clip**, sostenga el radio hacia abajo en la mano. Ubique la ranura en el clip de cinturón y alinee con el sujetador situado en la esquina superior izquierda en la parte posterior del radio. Empuje hacia arriba sobre el clip de cinturón hasta que oiga un chasquido. **Para quitar el clip**, oprima y sostenga el botón para soltarlo en la parte superior del clip. Deslice el clip del sujetador de clip de cinturón.

## XI. Cómo Cargar y Mantener la Batería

Antes de usar el radio, use el cargador de batería provisto para cargar **completamente** el paquete de la batería. Retire la base del cargador y el enchufe de alimentación eléctrica del empaque, y enchufe el conector de CC en el jack ubicado en la parte trasera de la base del cargador. Enchufe el cable de alimentación de CA en un enchufe estándar de 110V CA.

Para cargar una batería mientras está instalada en el radio, simplemente coloque el radio en el receptáculo de carga posterior. El cargador detectará el estado de la batería y automáticamente la cargará por medio de carga rápida o completa / gradual.

Para cargar una batería fuera del radio, coloque la batería en el receptáculo cargador posterior. Nuevamente, el cargador detectará el estado de la batería y automáticamente lo cargará por medio de carga rápida o completa / gradual. Observe el color de los indicadores LED de carga: rojo indica el ciclo de carga rápida, verde el ciclo de carga completa / gradual.

## **XI. Cómo Cargar y Mantener la Batería, continuación**

### **Cómo Cargar y Mantener la Batería, continuación**

Cuando use ambos receptáculos de carga, sólo uno puede efectuar la carga rápida a la vez. El cargador frontal siempre tiene prioridad para la carga rápida. Después que el receptáculo frontal pasa de carga rápida a completa / gradual, el receptáculo posterior iniciará su modo de carga rápida. Nuevamente, observe el color del receptáculo de carga en el LED para definir el ciclo de carga en curso.

**NOTA:** Para asegurar el rendimiento óptimo de su radio, periódicamente descargue completamente la batería y vuelva a cargarla por completo. Esto evitará que la batería desarrolle una "memoria" de uso breve y permitirá obtener una buena vida útil.

## **XII. Funcionamiento de Serie SP-200K**

Muchas de las características del SP-200K son definidas por usted y habrán sido determinadas por su distribuidor de comunicaciones por radio y usted mismo. Refiera a las disposiciones "Disposiciones Posibles para la Serie de SP-200K" en cómo su radio pudo haber sido programada.

### **Encendido - Volumen - Apagado**

Encienda el radio girando el control de encendido / apagado - volumen en el sentido de las manecillas del reloj. Oirá un chasquido (si está activado por la programación del Distribuidor), y los tonos de alerta de autoprueba del radio. Aumente el volumen del radio girando en sentido de las manecillas del reloj. Para apagar el radio después de transmitir, recibir, etc., gire el control en el sentido contrario hasta que se detenga.

### **Selección de Canales / Búsqueda del Grupo de Canales**

Para cambiar los canales de radio, simplemente oprima y suelte el botón ▲ o ▼ hasta encontrar el canal deseado. O bien, para pasar por sus canales programados más rápidamente, oprima y sostenga el botón ▲ o ▼. Los números de los canales aparecen en la pantalla LCD del radio (ubicada en la parte superior de la unidad).

Si su radio ha sido programado para buscar grupos de canales, usted debe ingresar el modo búsqueda oprimiendo el botón de scan (búsqueda; el primer botón debajo de la barra P-T-T). Aparecerá el grupo de canales programado en la pantalla del radio. Si desea cambiar dicha selección, use el botón ▲ o ▼, hasta que la pantalla muestre el grupo de canales que desea buscar.

## XII. Funcionamiento de Serie SP-200K, continuación

### Para Transmitir

**NOTA:** Las Normas y Regulaciones de la Comisión Federal de Comunicaciones exigen que usted monitoree el canal para ver si hay actividad antes de transmitir, para evitar interrumpir a otro usuario.

**Transmisión Estándar:** Oprima el botón de monitor (segundo botón debajo de la barra P-T-T) y observe el color del LED en el panel superior del radio. Se iluminará en color naranja si hay actividad presente; si el canal está libre no se iluminará.

**Los comentarios siguientes se propuestos para ser utilizados como una guía solamente, debido a la naturaleza variable de las características del software y del radio.**

**Transmita un direccionamiento *fijo* de Selcall:** Una presión corta o larga en una llamada clave, cualquiera que se a de búsqueda (Clave 1) o el botón de monitor (Clave 2), dependiendo de la disposición. El LED brevemente en el panel superior ilumina rojo. La conversación puede comenzar presionando el botón del P-T-T.

**Transmita un direccionamiento *variable* de Selcall:** Un direccionamiento variable de Selcall se puede seleccionar usando los claves numérico (0-9). El número de dígitos variables será determinado por la programación. Presionando \* la clave genera el direccionamiento del valor por defecto (Llamada 1) con los dígitos variables añadidos al final del fichero. El presionar # \* la clave genera el direccionamiento del valor por defecto (Llamada 2) con los dígitos variables añadidos al final del fichero.

**En el ciclo inicial, el radio omitirá el modo de Selcall.**

**Para Transmitir DTMF:** El radio se puede programar para la transmisión de DTMF solamente, o se puede programar para accionar la palanca entre Selcall y DTMF. Si está programado con este modo "toggle keypad" (interruptor del teclado), presione la clave definido en la etapa de programación y presione la clave de DTMF para transmitir. Presionando la clave de "toggle keypad" (interruptor del teclado) una vez más volverá el teclado numérico al modo de Selcall. **En modo de DTMF solamente, presione los claves de DTMF para transmitir.**

## **XII. Funcionamiento de Serie SP-200K, continuación**

### **Para Transmitir, continuación**

Con todas las características anteriores, cuando el canal esté "clear" (no esté en uso), sostenga el micrófono del radio aproximadamente 2 pulgadas de su boca, manteniendo la antena vertical y alejada de cara y de ojos. Presione y sostenga la barra del P-T-T en el lado del radio, y comience a hablar en un tono claro, normal. Suelte la barra del P-T-T cuando usted haya terminado de hablar.

**PRECAUCIÓN:** Operar el transmisor sin una antena correctamente instalada puede producir daños permanentes al radio.

**NOTA:** El LED del radio se iluminará en rojo continuamente mientras esté oprimida la barra P-T-T y esté transmitiendo. Si el LED rojo comienza a "destellar", es porque se necesita cargar la pila y cesará la transmisión. Recargue la pila completamente antes de intentar hacer más de una transmisión.

### **Para Recibir**

Cuando la pantalla esta destellando verde significa llamada recibida y si es programada, un tono de alerta es generado. La conversación entonces puede comenzar presionando el botón del P-T-T. La pantalla continuará destellando hasta que la llamada haya sido contestada.

### **Bloqueo de la Función / Bloqueo del Teclado Numérico**

Su radio tiene la habilidad de cerrar con llave los botones ▲ o ▼ del canal y el botón de búsqueda para prevenir presiones accidentales del botón. Para cerrar con llave estas botones, presione y sostenga el botón de scan (búsqueda; el primer botón de abajo del conmutador del P-T-T) por aproximadamente 4 segundos. El despliegue mostrará "LO" y oírás dos pitidos de confirmación. Para abrir el teclado, presione y sostenga de nuevo el botón de búsqueda por aproximadamente 4 segundos.

Los botones del P-T-T y del monitor pueden ser bloqueados presionando las claves \* y # al mismo tiempo por aproximadamente un segundo. Repetir el procedimiento para desbloquear el teclado.



### **XIII. Indicadores de Estado y Tonos Audibles de Alerta**

Su radio Serie SP-200K contiene un sofisticado control con microprocesador el cual provee una serie de tonos audibles de alerta. Cada vez que se encienda, se oirá una rápida melodía\* que indica que se ha llevado a cabo la autopruueba de las funciones del microprocesador. Se pueden oír una serie de tonos ante cualquiera de las siguientes condiciones:

- Se intenta transmitir en un canal programado sólo para recibir
- Se intenta transmitir en un canal que ya está en uso cuando se ha programado la traba de canales ocupados en el radio\*
- El tiempo de transmisión ha excedido la duración del reloj de suspensión temporal programado\*
- Poca carga de la batería
- Se selecciona un canal sin frecuencia programada
- Bloqueo del P-T-T
- Temporizador del transmisor (TX)
- Encender y apagar el interruptor de scrambler
- Encender y apagar el interruptor del teclado
- Alerta del teclado
- Alertas de los botones del lado del radio
- Descodificador de la dirección válida de llamada selectiva
- Alerta Auto-silencio

\* Indica una función que fue inicialmente programada en el radio por su distribuidor de radio comunicaciones.

Vea los carta Indicadores de Estado y Tonos Audibles de Alerta en la paginación siguiente para el detalle completo.

### XIII. Indicadores de Estado y Tonos Audibles de Alerta, continuación

ESTADO	DESCRIPCIÓN	COLOR DEL LED	INDICADOR EN LCD	TONO AUDIBLE
Normal	Encendido-Listo	N/C	188	Melodía
	Llamada recibida	Naranja	Número de Canal	N/C
	Llamada correcta	Verde	Número de Canal	N/C
	Canal ocupado	Naranja	Número de Canal	N/C
	Descodificador Válido de Llamada Selectiva (Selcall)	Verde Destellante	Número de Canal	Uno a Tres Tonos de Alerta
	Radio Bloqueado	N/C	Número de Canal	2 Silbidos
	Radio Recibido	N/C	Número de Canal	Melodía
	Transmitir	Rojo	Número de Canal	N/C
	No se Permite Transmitir	Rojo Destellante	UL / Número de Canal Alternantes	2 Silbidos Repetidos
Búsqueda	Cierre del Teclado	N/C	LD	2 Silbidos Repetidos
	Modo de Búsqueda Normal	Verde Destellante	Número de Grupo	N/C
	Modo de Búsqueda de Canal Prioritario	Verde Destellante	N/C	N/C
	Modo de Búsqueda de Canal Prioritario Hacia Atrás	Verde Destellante	Lb / Número de Canal	N/C
	Edición de Búsqueda	Un Solo Destello Rojo	SE	N/C
	Edición de Prioridad	Editar Canal Prioritario	Dos Destellos Rojos	PE
Advertencia	Poca Pila	Rojo Destellante	LC	3 Silbidos Repetidos
	Traba de Canales Ocupados	Naranja	bL	1 Silbido Repetido
	Inhibir TX	N/C	h/rO	2 Silbidos
	Reloj de Suspensión Temporal	N/C	Pt	1 Silbido / 3 Silbidos Repetidos
	Error	EEPROM	N/C	Er
Destrabar		N/C	UL	2 Silbidos Repetidos

**NOTA:** Todos los tonos audibles pueden programarse a "desactivados" para un funcionamiento silencioso.

### XIV. Modos de Búsqueda

La búsqueda es una función programable por el Distribuidor que le permite monitorear una serie de canales o ciertos canales dentro de un grupo. Su distribuidor de comunicaciones por radio le ayudará a definir su modo de búsqueda y su "lista de búsqueda" de canales.

#### Búsqueda Normal de Canales

Una vez que se ha establecido la lista de búsqueda, comience a buscar

## **XIV. Modos de Búsqueda, continuación**

### **Búsqueda Normal de Canales, continuación**

oprimiendo y soltando el botón de scan (búsqueda; primer botón debajo de la barra P-T-T).

Si se detecta una conversación en alguno de los canales de la lista de búsqueda, el radio se detendrá en ese canal y usted podrá oír esa conversación. Si está programado para búsqueda TX normal, usted podrá transmitir en ese canal activo durante el tiempo de espera de búsqueda programable. (El tiempo de espera para buscar es el tiempo que el radio permanecerá en ese canal una vez que ha cesado la actividad. Programable por el Distribuidor, lo típico es de 4 a 7 segundos). El radio reanudará la búsqueda una vez que haya finalizado el tiempo de espera para buscar, y continuará buscando hasta que se haya cambiado de canal. El LED destellará en verde.

### **Buscar Canal Prioritario**

Se puede programar un solo canal como canal "prioritario". El radio monitoreará constantemente este canal mientras busca y cuando el radio se haya detenido en un canal activo. Si se detecta una llamada en el canal prioritario, el radio automáticamente pasará al canal prioritario y se detendrá en éste mientras dure la conversación en el prioritario. La actividad en el canal prioritario tiene precedencia sobre todas las demás conversaciones. Para activar el modo de búsqueda prioritario, oprima y suelte el botón de scan (búsqueda; primer botón debajo de la barra P-T-T). El LED destellará en verde.

## **XV. Otras Funciones de Búsqueda**

### **Mirar Atrás**

Esta función es ideal para quienes no necesitan buscar como se explica arriba, pero desean asegurarse de no perderse una llamada en el canal de "prioridad" si se ha seleccionado otro canal. Una vez que un canal ha sido seleccionado, el radio periódicamente "mirará atrás" el canal prioritario. Si se detecta actividad en el canal prioritario, el radio pasará a ese canal mientras éste permanezca activo. Para ingresar al modo "mirar atrás", oprima y sostenga el botón de scan (búsqueda; primer botón debajo de la barra P-T-T). El **Lb / Número de canal** aparecerá en la pantalla, y el LED destellará en verde.

**NOTA:** La función de mirar atrás requiere que el radio deje el canal

## **XV. Otras Funciones de Búsqueda**

### **Mirar Atrás, continuación**

actual por una fracción de segundo (a intervalos regulares) para controlar si hay actividad en el canal prioritario. Según como esté programado el radio (velocidad de búsqueda, etc.) esto puede no detectarse como "interrupciones" en el canal en uso por esa fracción de segundo. Se transmitirá en el canal activo todo el tiempo.

### **Cómo Borrar un Canal de la Lista de Búsqueda**

Para borrar temporalmente un canal de la lista de búsqueda, simplemente oprima el botón de monitor (segundo botón debajo de la barra P-T-T) mientras busca y deténgase en el canal que desea borrar. Esto borrará dicho canal de la lista de búsqueda hasta que se cambie de canal o se vuelva a encender el radio. Cuando se restablece la alimentación eléctrica o se selecciona nuevamente la posición de la lista de búsqueda, se activará la lista de búsqueda programada originalmente.

### **Búsqueda CTCSS / DCS**

Para poder bloquear llamadas no deseadas a su radio, el radio Serie SP-200K puede ser programado por su Distribuidor para que busque tonos.

### **Búsqueda TX Normal**

Permite realizar una transmisión sólo después de recibir una llamada, dependiendo del tiempo de espera para buscar que ha sido programado. Una vez reanudada la búsqueda, y efectuada una transmisión, el radio emitirá dos silbidos, aparecerá **\_h** y no permitirá transmitir.

### **Búsqueda TX Prioritaria**

Permite realizar una transmisión en el canal prioritario al buscar y no se detiene en un canal activo. Siempre transmitirá en el canal prioritario si se busca o detiene en un canal activo.

### **TX Prioritaria Solamente**

Permite realizar una transmisión en el canal prioritario al buscar y no se detiene en un canal activo. Siempre transmitirá en el canal prioritario si se busca o detiene en un canal activo.

### **Búsqueda para Recibir Solamente**

Esto permite sólo la recepción, no la transmisión. Si se realiza una transmisión en cualquier momento, el radio emitirá dos silbidos, aparecerá **r0** y no permitirá transmitir.

## XVI. Editar la Lista de Búsqueda

Puede editar la lista de búsqueda original de su radio y el canal prioritario en cualquier momento. Sírvase notar que si su radio ha sido programado para la búsqueda de canales solamente, no podrá editar su lista de búsqueda, sólo su canal prioritario.

### Editar el Grupo de Canales

Para editar la lista de búsqueda de grupos en un radio programado para buscar grupos de canales, apague el radio, oprima y sostenga el botón de scan (búsqueda; primer botón debajo de la barra P-T-T). Mientras sostiene oprimido el botón de scan, encienda el radio, y observe si hay un único destello rojo del LED. La pantalla indicará **SE**. Suelte el botón de scan.

El número del primer grupo aparecerá en pantalla. Si no desea editar el grupo que ha seleccionado, oprima el botón ▲ o ▼ para seleccionar los grupos de canales que desea editar. Una vez seleccionado un grupo, oprima y suelte el botón de scan (búsqueda; primer botón debajo de la barra P-T-T). Ahora puede editar el número de canal dentro de su grupo de canales seleccionado.

Si el número de canal está destellando, dicho canal ya está incluido en la lista de búsqueda del grupo de canales seleccionado. Si el número del canal es continuo, el canal puede ser agregado o eliminado de la lista de búsqueda. Oprima y suelte el botón de monitor (segundo botón debajo de la barra P-T-T), el canal seleccionado destellará si fue agregado a la lista de búsqueda o será continuo si fue borrado de la lista de búsqueda.

Para editar otros canales, oprima los botones ▲ o ▼ para seleccionar el canal deseado dentro del grupo de canales. Para agregar o borrar el canal que acaba de seleccionar de la lista de búsqueda del grupo de canales, repita el proceso explicado arriba. Cuando termine de editar los canales de su lista de búsqueda del grupo, oprima y suelte el botón de scan (búsqueda; primer botón debajo de la barra P-T-T). En ese momento deberá ingresar su nueva lista de búsqueda del grupo de canales.

### Editar Canal Prioritario

Se puede programar un solo canal prioritario en el radio. Para editar un canal prioritario, apague el radio, oprima y sostenga el botón de scan (primer botón debajo de la barra P-T-T). Mientras mantiene oprimido el botón de scan, encienda el radio, y suelte el botón de scan después que el LED destelle en rojo por segunda vez. Aparecerá **PE** en la pantalla. Suelte el botón de scan. Aparecerá el número del primer canal. Si el canal mostrado

## XVI. Editar la Lista de Búsqueda, continuación

### Editar Canal Prioritario, continuación

no es su canal prioritario, oprima y suelte el botón ▲ o ▼ para seleccionar el canal prioritario deseado. Una vez que haya seleccionado el canal, un número de canal destellando indicará que el canal ya ha sido seleccionado como prioridad. Si el número del canal aparece continuo, dicho canal no está seleccionado como prioridad. Para agregar o borrar el canal seleccionado como canal prioritario, oprima y suelte el botón de monitor (segundo botón debajo de la barra P-T-T). El canal seleccionado destellará si fue agregado como canal prioritario o será continuo si fue borrado como prioridad.

Al terminar de agregar o borrar el canal prioritario, oprima y suelte el botón de búsqueda. Deberá ingresar su nuevo canal prioritario en este momento.

## XVII. Disposiciones Posibles para la Serie de SP-200K

### Controle apagado las configuraciones apropiadas abajo:

Alerta de Encendido	ENCENDER ( ) APAGAR ( )	
Encender Scrambler	ENCENDER ( ) APAGAR ( )	
Alerta de Encender y Apagar el "Scrambler" (Desmodulador) del Radio	ENCENDER ( ) APAGAR ( )	
"Scrambler" Permanente	SÍ ( ) NO ( )	
<b>P-T-T:</b>		
Cierre del P-T-T Hasta Una Válida Llamada Selectiva (Selcall)	SÍ ( ) NO ( )	
Automático Número de ID (ANI)	SÍ ( ) NO ( )	
Ambos	SÍ ( ) NO ( )	
<b>Teclado Numérico:</b>		
Llamada Selectiva (Selcall) Solamente	SÍ ( ) NO ( )	
Solamente DTMF	SÍ ( ) NO ( )	
Ambos	SÍ ( ) NO ( )	
<b>Clave 1- Presión Corta = (Presione y Suelte de Inmediato):</b>		
Interruptor de "Scrambler"	SÍ ( ) NO ( )	
Llamada 1	SÍ ( ) NO ( )	
Llamada 2	SÍ ( ) NO ( )	
Llamada de Emergencia	SÍ ( ) NO ( )	
Llamada de Grupo	SÍ ( ) NO ( )	
Atonte y Restablezca	SÍ ( ) NO ( )	
Monitor de Interruptor	SÍ ( ) NO ( )	
Encender y Apagar Señal Secreta	SÍ ( ) NO ( )	
Interruptor del Teclado	SÍ ( ) NO ( )	

## XVII. Disposiciones Posibles para la Serie de SP-200K, continuación

### Controle apagado las configuraciones apropiadas abajo:

<b>Clave 1 - Presión Larga = (Presione y Sostenga por Dos Segundos):</b>		
Interruptor de "Scrambler"	SÍ ( )	NO ( )
Llamada 1	SÍ ( )	NO ( )
Llamada 2	SÍ ( )	NO ( )
Llamada de Emergencia	SÍ ( )	NO ( )
Llamada de Grupo	SÍ ( )	NO ( )
Atonte y Restablezca	SÍ ( )	NO ( )
Monitor de Interruptor	SÍ ( )	NO ( )
Encender y Apagar Señal Secreta	SÍ ( )	NO ( )
Interruptor del Teclado	SÍ ( )	NO ( )
<b>Clave 2 - Presión Corta = (Presione y Suelte de Inmediato):</b>		
Interruptor de "Scrambler"	SÍ ( )	NO ( )
Llamada 1	SÍ ( )	NO ( )
Llamada 2	SÍ ( )	NO ( )
Llamada de Emergencia	SÍ ( )	NO ( )
Llamada de Grupo	SÍ ( )	NO ( )
Atonte y Restablezca	SÍ ( )	NO ( )
Monitor de Interruptor	SÍ ( )	NO ( )
Encender y Apagar Señal Secreta	SÍ ( )	NO ( )
Interruptor del teclado	SÍ ( )	NO ( )
<b>Clave 2 - Presión Larga = (Presione y Sostenga por Dos Segundos):</b>		
Interruptor de "Scrambler"	SÍ ( )	NO ( )
Llamada 1	SÍ ( )	NO ( )
Llamada 2	SÍ ( )	NO ( )
Llamada de Emergencia	SÍ ( )	NO ( )
Llamada de Grupo	SÍ ( )	NO ( )
Atonte y Restablezca	SÍ ( )	NO ( )
Monitor de Interruptor	SÍ ( )	NO ( )
Encender y Apagar Señal Secreta	SÍ ( )	NO ( )
Interruptor del Teclado	SÍ ( )	NO ( )

## **XVIII. Accesorios Compatibles SP-200K / SP-210K**

- Paquete de batería de 900 mAh Prismatic (QPA-900)
- Paquete de batería de 1350 mAh NiMH (QPA-1350)
- VHF Antena, 148-174 MHz, SMA (ACC-102)
- UHF Antena, 440-470 MHz, 3-1/2" (ACC-100)
- Caragador de sobremesa "smart" doble espacio / tasa dual (ACC-400K)
- Receptor de cabeza de ultra-lite con conector el bloquer (ACC-616)
- Audífono que se coloca alrededor de la cabeza para cancelar los ruidos de afuera (ACC-626) (requiere el adaptador ACC-506)
- Audífono que se coloca detras de la cabeza para cancelar los ruidos de afuera (ACC-627) (requiere el adaptador ACC-506)
- Micrófono parlante de oído con conector el bloquer (ACC-706)
- Micrófono parlante del altavoz de la solapa con conector el bloquer (ACC-726)
- Micrófono parlante resistente con enchufe de auricular (ACC-727)
- Audífono con cordón usado con ACC-727 (QPA-1424)
- Parlante de oído para el uso con ACC-726 (WTA-9F)
- Estuche de cuero (ACC-300)
- Estuche de nylon (ACC-301)
- Adaptador de 2-pin to 1-pin (ACC-506)

## **XIX. Licencia de la FCC**

La Comisión Federal de Comunicaciones requiere que el operador de este radio tenga la licencia pertinente conforme a la/s Parte/s de las Normas y Reglamentaciones de la FCC correspondientes.

Consulte con su distribuidor de radio comunicaciones, o con la oficina regional más cerca de la FCC para recibir información sobre cómo obtener una licencia.

## **XX. Servicio**

No altere los ajustes internos. Esto podría causar que el equipo se dañe o no funcione bien. No hay elementos reparables en el interior del radio. Se recomienda que lleve el radio a un distribuidor de radio comunicaciones por cualquier servicio o reparación.



## **XXI. Derechos de Autor del Software**

El/los producto/s Topaz3 / Maxon descrito/s en estas instrucciones de funcionamiento pueden incluir programas de software de Topaz3 / Maxon que poseen derechos de autor (copyright) almacenados en memorias de semi-conductor o en otros medios. Las leyes de los Estados Unidos y otros países preservan ciertos derechos de exclusividad de Topaz3 / Maxon para los programas de software con derechos de autor, incluyendo el derecho de exclusividad de copiar o reproducir en cualquier forma el programa de software con derechos de autor.

En concordancia, los programas de software Topaz3 / Maxon con derechos de autor contenidos en los productos Topaz3 / Maxon descritos en este manual de funcionamiento no pueden ser copiados ni reproducidos sin el permiso expreso por escrito de Topaz3, LLC.

Asimismo, la compra de productos Topaz3 / Maxon no se considerará que otorga ni directamente ni por implicación, exclusión, o de otro modo, ninguna licencia bajo los derechos de autor, patentes o solicitudes de patente de Topaz3, LLC, excepto para la licencia libre de regalías no exclusiva normal para el uso que surge de la aplicación de la ley en la venta de un producto.

## **XXII. Mantenimiento**

Su radio Serie SP-200K ha sido diseñada para no requerir mantenimiento. Para mantener su radio en buenas condiciones de funcionamiento, siga estas instrucciones de limpieza:

- Limpie las superficies externas con un paño limpio humedecido en una solución de detergente de vajilla suave diluido en agua. Aplique poca cantidad de solución para evitar que penetre humedad a través de rajaduras y hendiduras. NO sumerja el radio. Use solamente un cepillo no metálico para despegar partículas, si fuera necesario. Seque la superficie completamente con un paño suave libre de pelusa.
- NO use solventes ni alcohol para limpiarlo - podrían dañar permanentemente la carcasa.
- Limpie la batería y los contactos del conector accesorio con un paño libre de pelusa para eliminar toda suciedad, grasa o materiales extraños que pudieran impedir un contacto eléctrico adecuado.

## XXIII. Declaración de Garantía

La declaración Topaz3, LLC (adjunto Topaz3), autorizaciones de la garantía cada producto de radio nuevo fabricado o provisto por ella para estar libre de defectos en material y mano de obra bajo uso y servicio normales para el período enumeró abajo, a condición de que el utilizador se ha conformado con los requisitos indicados adjunto. El período de la garantía comienza la fecha de la compra de las ventas un Topaz3 y del tomacorriente para servicio autorizados. Esta garantía se ofrece al utilizador original del extremo y no es asignable o transferible. Topaz3 no es responsable de ningún equipo auxiliar a el cual se asocie o se utilice conjuntamente con los productos de Maxon y Legacy.

Topaz3 ofrece al utilizador original del extremo (2) una garantía limitada año dos en todo el negocio de Maxon y de la Legacy y productos de radio industriales. Los accesorios llevan un (1) una garantía limitada año.

Durante este período, si el producto no puede funcionar bajo uso normal debido a defect(s) o mano de obra de fabricación, debe ser vuelto a las ventas Topaz3 y al tomacorriente para servicio autorizados de los cuales fue comprado. Las ventas y el tomacorriente para servicio repararán el producto, o vuelva el producto para la reparación a Topaz3 o a su depósito autorizado de la reparación. El utilizador es responsable del pago de cualesquiera cargas o costo incurrido en para el retiro del producto defectuoso del vehículo o del otro sitio de su uso; para el transporte del producto a las ventas y al tomacorriente para servicio; para la vuelta del reparada/del producto de reemplazo al sitio de su uso y para la reinstalación del producto.

Topaz3 no tendrá ninguna obligación de reparar o de causar el reemplazo requerido que resulta de desgaste normal y del rasgón ni es hecho necesario en entero o en parte por catástrofe, el incidente o la negligencia del utilizador, de las alteraciones incorrectas o desautorizadas o de las reparaciones al producto, cableado incorrecto, uso del producto de una manera para la cual no fue diseñado, o por las causas externas al producto. Esta garantía es vacío si se altera, se desfigura o se quita el número de serie del producto.

La obligación única de Topaz3's abajo será substituir o reparar el producto cubierto en esta garantía. El reemplazo, en la opción de Topaz3's, puede incluir un producto similar o alto-ofrecido. La reparación puede incluir el reemplazo de partes o de tarjetas con las piezas funcionalmente equivalentes o las tarjetas reacondicionadas o nuevas. Autorizan las piezas, los accesorios, las baterías o a las tarjetas substituidas para el equilibrio del período original. Todas las piezas, accesorios, baterías o tarjetas substituidas se convierten en la característica de Topaz3.

**LAS GARANTÍAS EXPRESAS CONTENIDAS ADJUNTO ESTÁN EN LUGAR DE EL RESTO DE LAS GARANTÍAS, EXPRESADAS O IMPLICADAS O ESTATUTARIAS, INCLUYENDO, SIN LA LIMITACIÓN, CUALQUIER GARANTÍA DEL MERCHANTABILITY O APTITUD PARA UN PROPÓSITO DETERMINADO.**

**PARA CUALQUIER PRODUCTO QUE NO SE CONFORME CON LA GARANTÍA ESPECIFICADA, EL REMEDIO ÚNICO SERÁ REPARACIÓN O REEMPLAZO. EN NINGUNA VOLUNTAD DEL ACONTECIMIENTO TOPAZ3 SEA OBLIGADO AL COMPRADOR O A SUS CLIENTES PARA CUALQUIER DAÑO, INCLUYENDO CUALESQUIERA DAÑOS ESPECIALES, FORTUITOS, INDIRECTOS O CONSECUENTES, O LA PÉRDIDA DE BENEFICIO, DE RÉDITO O DE DATOS RESULTANTES EL USO DE O DE LA INHABILIDAD DE UTILIZAR EL PRODUCTO.**

Esta garantía es vacía para las ventas y las salidas fuera de los E.E.U.U. o Canadá.

## Table des Matières

I.	Conditions de Conformité d'Exposition de la FCC RF pour l'Usage Professionnel Seulement.....	38
II.	Informations sur la Sécurité.....	39
III.	Au Sujet de Votre Poste de Radio de la Série SP-200K.....	39
IV.	Au Sujet de Topaz3.....	40
V.	Déballage.....	40
VI.	Caractéristiques des Appareils de la Série SP-200K.....	41
VII.	Description des Composants de la Radio.....	42
VIII.	Montage de l'Antenne.....	43
IX.	Installation et Retrait de la Batterie.....	43
X.	Fixation et Retrait de l'Attache du Poste sur la Ceinture.....	43
XI.	Charge et Entretien de la Batterie.....	43
XII.	Utilisation des Radios de la Série SP-200K.....	44
	Marche - Volume - Arrêt.....	44
	Sélection des Canaux / Balayage d'un Groupe de Canal.....	44
	Transmission.....	45
	Recevoir.....	46
	Serrure de Bloc de Touches / Serrure de Fonction.....	46
XIII.	Indicateurs de Statut et Tonalités d'Avertissement Audibles.....	46
XIV.	Modes de Balayage.....	48
	Balayage de Canal Normal.....	48
	Balayage d'un Canal Prioritaire.....	48
XV.	Autres Caractéristiques du Balayage.....	48
	Retour en Arrière.....	48
	Effacement des Canal Balayés.....	49
	Balayage CTCSS / DCS.....	49
	Transmission (TX) Avec Balayage Normal.....	49
	Transmission (TX) Avec Balayage Prioritaire.....	49
	Transmission (TX) Prioritaire Seulement.....	50
	Balayage sur le Mode Réception Seulement.....	50
XVI.	Édition de la Liste de Balayage.....	50
	Édition d'un Groupe de Canal.....	50
	Édition d'un Canal Prioritaire.....	51
XVII.	Installations Possibles pour la Série de SP-200K.....	52
XVIII.	Accessoires Compatibles de SP-200K / SP-210K.....	54
XIX.	Licence par le FCC.....	54
XX.	Service.....	54
XXI.	Droits de Reproduction du Logiciel.....	55
XXII.	Entretien.....	55
XXIII.	Garantie de Produit.....	56

## I. Conditions de Conformité d'Exposition de la FCC RF pour l'Usage Professionnel Seulement

La Commission Fédérale sur les Communications (FCC) a, par le truchement de son Document Général 93-62 en date du 7 novembre 1997, Adopté une Norme Standard Concernant l'Exposition des Humains à l'Énergie Électromagnétique RF (Fréquences Radio) émise par tout appareil soumis à la réglementation du FCC. Topaz3 / Maxon souscrit à la même norme de sécurité pour l'utilisation de ses produits. Une utilisation correcte de cette radio résulte en une exposition par l'utilisateur bien inférieure aux limites définies par l'OSHA (Acte régissant les risques liés aux activités professionnelles) et le FCC.

**MISE EN GARDE** - Ne transmettez pas pour plus de 50% de temps par radio total d'utilisation (coefficient d'utilisation de 50%). La transmission plus de 50% du temps peut causer des conditions de conformité d'exposition de la FCC RF d'être excédé.

- Cette radio **n'est pas** approuvée à l'usage de la population générale dans un environnement non contrôlé. Cette radio est limitée à l'utilisation professionnelle, des exécutions associées par travail seulement où l'opérateur par radio doit avoir la connaissance pour contrôler les conditions d'exposition d'utilisateur pour satisfaire la limite plus élevée d'exposition permise pour l'usage professionnel conditions de conformité d'être excédé.
- En transmettant, tenez la radio en position verticale avec son microphone 5 cm loin de votre bouche.
- Ce dispositif a été approuvé pour l'usage, à un facteur maximum de devoir de 50%, en utilisant l'ceinture-étui spécifique de clip et de cuir de ceinture testé pour la conformité corps-usée de SAR. D'autres clips de ceinture ou accessoires corps-usés peuvent ne pas se conformer et devraient être évités.
- La radio transmet quand la LED rouge sur l'avant de la radio est illuminée. Vous pouvez faire transmettre la radio en appuyant la barre de P.T.T. sur la radio.
- Ce sont des configurations de fonctionnement exigées pour la conformité d'exposition de la FCC RF de réunion. Manque d'observer la violation moyenne de ces restrictions.

## II. Informations sur la Sécurité

- AVERTISSEMENT** - NE PAS tenir le poste de telle manière que l'antenne soit proche ou touche une partie exposée du corps, plus particulièrement le visage ou les yeux lors d'une transmission.
- AVERTISSEMENT** - NE PAS permettre aux enfants d'utiliser un équipement radio équipé d'un émetteur.
- MISE EN GARDE** - NE PAS utiliser le poste à proximité d'amorces explosives non-protégées déclenchées électriquement ou dans une atmosphère explosive, à l'exception d'appareils spécialement conçus et homologués à cet effet.
- MISE EN GARDE** - NE PAS appuyer et maintenir appuyé le poussoir d'émission (P.T.T.) si vous ne souhaitez pas transmettre.

## III. Au Sujet de Votre Poste de Radio de la Série SP-200K

Le SP-200K de Maxon (VHF) et le SP-210K (UHF) ont synthétisé des radios avec le dispositif de bloc de touches de DTMF jusqu'à 13 groupes de balayage avec jusqu'à 16 canaux par groupe pour une capacité totale de 199 canaux.

**Afin que votre poste vous assure complète satisfaction, nous vous conseillons instamment de prendre connaissance des informations sur le fonctionnement et l'utilisation contenues dans ce manuel avant de l'utiliser.**

L'application de certaines des fonctions décrites dans ce manuel est fonction du type d'appareil que vous possédez. Votre concessionnaire en matériel de communication radio programmera votre radio de façon à ce que vous disposiez du maximum de fonctions possibles compte tenu de vos besoins.

Pour toute question concernant l'utilisation du poste, veuillez consulter votre concessionnaire en matériel de communication radio.

## IV. Au Sujet de Topaz3

Topaz3 est le fournisseur exclusif des produits de transmission de Maxon®, de Legacy et de TruTalk de marque.

Notre produit s'étend des radios bi-directionnelles autorisées par FCC appropriées aux marchés d'affaires et d'industrie (B&I) comme la ferme, le gouvernement, l'application de loi, l'utilitaire, etc. au matériel de transmissions du consommateur pour les marchés récréationnels et de faible puissance d'affaires.

Les offres de produit incluent une variété des modules de handheld de fréquence ultra-haute et de VHF et de radios, de répéteurs et de lien mobiles de rf aussi bien que des radios de FRS (Service par Radio de Famille), de GMRS (Service par Radio Mobile Général), des radios de MURS (Multi Service par Radio d'Utilisateur), des radios de Bande de Citizen's et des Moniteurs de Temps.

Les éléments annexes disponibles incluent une variété de cas portants, batteries disponibles, appareil de bureau et chargeurs, microphones de haut-parleur de bourgeon d'oreille et plus mobiles pour chaque modèle par radio.

Pour l'information supplémentaire sur notre produit, visitez notre website: [www.topaz3.com](http://www.topaz3.com).

## V. Déballage

Retirer et examiner attentivement le contenu de(s) la boîte(s) et s'assurer que les accessoires suivants sont présents:

- Radio
- Batterie
- Chargeur de Batterie
- Dispositif d'Alimentation du Chargeur de Batterie
- Antenne
- Agrafe de Fixation à la Ceinture
- Manuel d'Utilisation

Si l'un de ces accessoires manque, veuillez contacter le concessionnaire en matériel de communication radio, ou entrez en contact avec le service de Service à la Clientèle Topaz3: 1-800-821-7848, l'extérieur 499 ou contact 1-816-891-6320, l'extérieur 499.

## **VI. Caractéristiques des Appareils de la Série SP-200K**

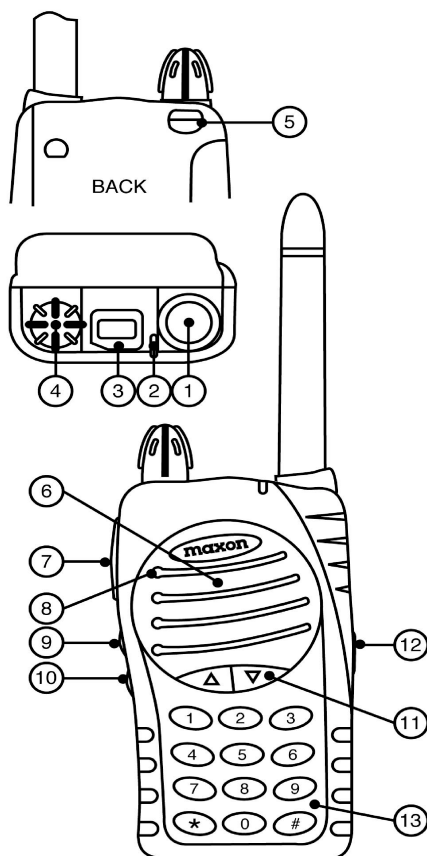
- Fonctionnement synthétisé avec une capacité de 199 canaux (balayage 13 groupes avec jusqu'à 16 canaux par groupe)
- Puissance de sortie programmable de 1 à 5W
- Espacement de canal programmable de 12.5 /20 /25 kHz
- Format de Selcall de multi-tonalité
- La tonalité entièrement programmable place - comprenant EEA, CCIR, et ZVEI
- Identification automatique de nombre (ANI) sur des P.T.T.
- Encodeur de DTMF
- Bloc de touches dual de fonction
- Urgence appelle
- Assommez et rétablissez
- Groupe appelle
- Clés définissables de programmeur
- Modes facultatifs de pénalité et temporisation de P.T.T.
- Mode de fonctionnement secret
- Brouilleur intégré d'inversion
- Transmission de mode
- Signal de tonalité CTCSS/DCS
- Balayage de canal
- Balayage de canal prioritaire
- Visionnement arrière de canal
- Minuterie de temporisation
- Édition de la liste de balayage
- Édition de canal prioritaire
- Verrouillage du canal occupé
- Affichage de canal LCD
- Indicateur tricolore de LED
- Châssis en aluminium coulé sous pression, caisse de polycarbonate

## VII. Description des Composants de la Radio

- 1) Socle d'Antenne
- 2) Indicateur Occupé/TX
- 3) Affichage de Canal LCD
- 4) Marche / Arrêt - Commande de Volume
- 5) Verrou de Boîtier de Batterie
- 6) Haut-parleur
- 7) Pousoir d'émission (P.T.T.)
- 8) Microphone
- 9) Bouton Scan (Balayage) Clé 1
- 10) Bouton Monitor (Moniteur) Clé 2
- 11) Boutons de Sélection de Canaux
- 12) Connecteur d'Accessoires
- 13) Bloc de Touches

### Non-visible:

- Contacts de Charge de la Batterie
- Attache de la Radio à la Ceinture





## VIII. Montage de l'Antenne

Monter l'antenne sur la radio en la vissant dans le sens horaire dans le socle sur la partie supérieure de l'appareil.

## IX. Installation et Retrait de la Batterie

**Pour mettre la batterie en place**, tenir l'appareil de radio face vers le bas. Aligner les guides de la batterie avec les rails de la radio et la faire glisser vers le haut jusqu'à ce qu'un déclic se fasse entendre. **Pour retirer l'ensemble boîtier-batteris de l'appareil de radio**, le tenir face vers le bas et appuyer sur le bouton du verrou qui se trouve sur le coin supérieur droit du boîtier. Maintenir le bouton du verrou sur la position enfoncée puis faire glisser la batterie vers le bas. Dégager avec précaution l'ensemble boîtier-batterie de la base de l'appareil de radio une fois que celui-ci est hors des rails de l'appareil.

## X. Fixation et Retrait de l'Attache du Poste sur la Ceinture

**Pour fixer l'attache**, tenir le poste face vers le bas. Localiser la fente de l'attache et aligner l'attache avec l'étui à la partie supérieure gauche de l'arrière de la radio. Pousser l'attache vers le haut jusqu'à ce qu'un déclic se fasse entendre. **Pour retirer l'attache**, pousser et maintenir le bouton de dégagement se trouvant à la partie supérieure de l'attache. Faire glisser l'attache en dehors de l'étui de celle-ci.

## XI. Charge et Entretien de la Batterie

Avant l'utilisation initiale, utiliser le chargeur fourni afin de charger **complètement** la batterie. Retirer le socle du chargeur et le bloc d'alimentation de la boîte et brancher le connecteur CC du dispositif d'alimentation dans la prise se trouvant sur la partie arrière du socle. Brancher le cordon CA dans une prise de courant 110V CA.

Pour charger une batterie en place dans la radio, tout simplement placer la radio dans le logement avant du chargeur. Le chargeur évaluera l'état de la batterie et automatiquement, passera en mode charge soit rapide, soit complémentaire / charge lente.

Pour charger une batterie retirée de la radio, la placer dans le logement arrière du chargeur. Le chargeur évaluera l'état de la batterie et automatiquement, effectuera une charge rapide, ou complémentaire / charge lente. Noter la couleur des indicateurs de charge LED: rouge pour un cycle de charge rapide, verte pour un cycle de charge complémentaire / charge lente.

## **XI. Charge et Entretien de la Batterie (suite)**

Si les deux logements réservés à la charge sont utilisés, seul un de ces logements peut assurer une charge rapide. Le logement avant est toujours prioritaire pour effectuer une charge rapide. Une fois que le logement avant passe du mode charge rapide au mode de charge complémentaire / charge lente, le logement arrière passe en mode de charge rapide. Noter la couleur du LED des logements de charge qui définit le cycle de chargement en cours.

**REMARQUE:** Pour que votre radio fonctionne avec le maximum de performance, décharger périodiquement la batterie complètement et la recharger complètement. Cette opération l'empêche d'acquérir une "mémoire" due à une utilisation de courte durée, lui permettant ainsi d'avoir une durée de vie satisfaisante.

## **XII. Utilisation des Radios de la Série SP-200K**

Plusieurs des dispositifs du SP-200K sont définis par vous et auront été déterminés par vos communications par radio distributeur et vous-même. Référez-vous aux installations de "Installations Possibles pour la Série de SP-200K" sur la façon dont votre radio a pu avoir été programmée.

### **Marche - Volume - Arrêt**

Mettre la radio en marche en tournant le marche / arrêt - commande de volume dans le sens horaire. Vous entendrez un déclic (et si la programmation effectuée par le vendeur est activée), l'alarme d'auto-essai de la radio se fait entendre. Augmenter le volume en continuant la rotation horaire du bouton. Pour arrêter la radio une fois la transmission ou la réception terminée, tourner le bouton dans le sens anti-horaire jusqu'au cran d'arrêt.

### **Sélection des Canaux / Balayage d'un Groupe de Canal**

Pour changer de canal, appuyer simplement sur le bouton ▲ ou ▼ jusqu'au moment où le canal choisi est affiché. Alternativement, il est possible de faire dérouler les canaux programmés plus rapidement en appuyant et en maintenant enfoncé le bouton ▲ ou ▼. Le canal choisi sera affiché sur le LCD de la radio, situé à la partie supérieure de l'appareil.

Si la radio a été programmée pour faire un balayage de groupes de canaux, il faut entrer dans le mode balayage en appuyant sur le bouton scan (balayage; premier bouton en dessous du poussoir P.T.T.). Le groupe de canal courant sera affiché sur le LCD de l'appareil. Si vous désirez changer cette sélection, utiliser le bouton ▲ ou ▼ jusqu'à ce que le LCD affiche le groupe de canaux que vous voulez balayer.

## XII. Utilisation des Radios de la Série SP-200K (suite)

### Transmission

**REMARQUE:** La réglementation du FCC exige la surveillance d'un canal donné pour toute activité avant de transmettre afin d'éviter d'interrompre un autre utilisateur.

**La Norme Transmettent:** Appuyer sur le bouton du monitor (moniteur; second bouton en dessous du poussoir P.T.T.) et vérifier la couleur du LED sur le panneau supérieur. Le LED brillera en orange s'il y a une transmission en cours; il ne sera pas illuminé si le poste de radio indique qu'un canal est libre.

**Les commentaires suivants sont destinés pour être utilisés comme guide seulement, en raison de la nature variable des dispositifs de logiciel et de radio.**

**Transmettez une adresse fixe de Selcall:** Une presse courte ou longue sur une Clé d'Appel, Clé 1 ou Clé 2 selon l'installation. Brièvement la LED sur le panneau supérieur illumine rouge. Conversation peut commencer en appuyant sur le bouton de P.T.T.

**Transmettez une adresse variable de Selcall:** Une adresse variable de Selcall peut être choisie en utilisant les clés numériques (0 - 9). Le nombre de chiffres variables sera déterminé à la programmation. Appuyer \* la clé produit de l'adresse de défaut (Appel 1) avec les chiffres variables ajoutés. Appuyer # clé produit de l'adresse de défaut (Appel 2) avec les chiffres variables ajoutés.

**À la mise sous tension, la radio se transférera sur le mode de Selcall.**

**Pour Transmettre DTMF:** La radio peut être programmée pour la transmission de DTMF seulement, ou peut être programmée pour basculer entre Selcall et DTMF. Si programmé avec ce mode "de bloc de touches à bascule", appuyez sur la touche "de bloc de touches à bascule" (définie à l'étape de programmation) et appuyez sur les touches de DTMF pour transmettre. Appuyer sur la touche "de bloc de touches à bascule" une fois de plus renverra le bloc de touches au mode de Selcall. **En mode de DTMF seulement, appuyez sur les touches de DTMF pour transmettre.**

Avec tous les dispositifs ci-dessus, quand le canal est "clair", tenez la zone par radio de microphone approximativement 2 pouces (5 cm) de votre bouche, maintenant l'antenne verticale et partie du visage ou des yeux. Appuyez et tenez la barre de P.T.T. du côté de la radio, et commencez à parler dans une tonalité claire et normale. Libérez la barre de P.T.T. quand vous avez terminé parler.

## **XII. Utilisation des Radios de la Série SP-200K (suite)**

### **Transmission (suite)**

**MISE EN GARDE:** L'exécution de l'émetteur sans antenne appropriée installée peut avoir comme conséquence des dommages permanents à la radio.

**NOTE:** La LED de la radio rougeoiera rouge sans interruption quand vous faites appuyer la barre de P.T.T. et transmet. Si la LED rouge commence "à flasher", la batterie doit être rechargée et la transmission cessera. Rechargez la batterie.

### **Recevoir**

La LED verte flashante indique l'appel reçu, et si programmée, une tonalité alerte est produite. La conversation peut alors commencer en appuyant sur le bouton de P.T.T. La LED continuera à flasher jusqu'à ce que l'appel ait été répondu.

### **Serrure du Bloc de Touches / Serrure de Fonction**

Votre radio a la capacité de verrouiller le canal ▲ ou ▼ se boutonne et le bouton de balayage pour empêcher le bouton accidentel appuie. Pour verrouiller ces boutons, appuyez sur le bouton scan (balayage; premier bouton en dessous du poussoir P.T.T.) et en maintenant enfoncé 4 secondes. "LO" apparaît sur l'affichage et deux bips de confirmation retentissent. Pour déverrouiller le bloc de touches, appuyez à nouveau sans relâcher sur le bouton scan et en maintenant enfoncé 4 secondes.

Les boutons de P.T.T. et de moniteur peuvent être verrouillés, en appuyant \* et # des clés en même temps pour approximativement 1 seconde. Répétez le procédé pour déverrouiller le bloc de touches.

## **XIII. Indicateurs de Statut et Tonalités d'Avertissement Audibles**

Votre radio de la Série SP-200K est équipée d'un microprocesseur donnant une série d'avertissements audibles. Chaque fois que la radio est mise sous tension, une tonalité musicale rapide signale que l'auto-essai des fonctions du microprocesseur a été effectué. Une série de signaux de tonalité peut se faire entendre lorsque une des conditions suivantes se manifeste:

- Tentative de transmission sur un canal réservé à la réception seulement
- Tentative de transmission sur un canal déjà utilisé lorsque le verrouillage de canal occupé a été programmé dans l'appareil\*
- Le temps de transmission a dépassé la durée de fin de transmission programmée\*
- Condition de batterie déchargée
- Sélection d'un canal sur une fréquence non-programmée
- Verrouillage de P.T.T.

### XIII. Indicateurs de Statut et Tonalités d'Avertissement Audibles (suite)

- Temps-dehors-temporisateur de TX
- Basculant le brouilleur marche-arrêt
- Basculant le bloc de touches marche-arrêt
- Le bloc de touches alerte
- Le bouton latéral alerte
- Décodez de l'adresse valide de Selcall
- Alerte automobile-muette

\* Indique une fonction initialement programmée par votre concessionnaire en matériel de communication radio.

STATUT	DESCRIPTION	COULEUR LED	INDICATION LCD	TONALITÉ AUDIBLE
Normal	Radio en Marche-Prêt	Sans Objet	188	Mélodie
	Appel Reçu	Orange	No du Canaux	Sans Objet
	Appel Correct	Vert	No du Canaux	Sans Objet
	Canaux Occupé	Orange	No du Canaux	Sans Objet
	Selcall Valide Décodent	Vert Clignotant	No du Canaux	Alerte d'Une à Trois Tonalités
	La Radio a Assommé	Sans Objet	No du Canaux	2 Bips
	La Radio a Reçu	Sans Objet	No du Canaux	Mélodie
	Transmission	Rouge	No du Canaux	Sans Objet
	Transmission Non Autorisée	Rouge Dignotant	No du Canaux / UL en Alternance	2 Bips Répétés
Balayage	Verrouillage du Bloc de Touches	Sans Objet	LO	2 Bips Répétés
	Mode de Balayage Normal	Vert Clignotant	No de Groupe	Sans Objet
	Mode de Balayage Prioritaire	Vert Clignotant	Sans Objet	Sans Objet
	Mode de Balayage Prioritaire avec Retour en Arrière	Vert Clignotant	Lb / No de Canal	Sans Objet
Édition du Balayage	Liste d'Édition du Balayage	Clignotement Simple en Rouge	SE	Sans Objet
Édition Prioritaire	Canaux d'Édition Prioritaire	Deux Clignotements en Rouge	PE	Sans Objet
Avertissement	Batterie Déchargée	Clignotement en Rouge	LC	3 Bips Répétés
	Verrouillage de Canaux Occupé	Orange	bL	Bip Simple Répété
	Transmission Neutralisée	Sans Objet	_h/rO	2 Bips
	Minuterie de Temporisation	Sans Objet	Pt	Bip Simple / 3 Bips Répétés
Erreur	EEPROM	Sans Objet	Er	Bip Simple Répété
	Déverrouillage	Sans Objet	UL	2 Bips Répétés

**REMARQUE:** Toutes les tonalités audibles peuvent être programmées sur "arrêt" pour un fonctionnement silencieux.

## **XIV. Modes de Balayage**

Le balayage est une fonction programmable par le vendeur vous permettant de surveiller un certain nombre de canaux ou des canaux à l'intérieur d'un groupe. Votre concessionnaire en matériel de communication radio vous assistera dans la définition d'un mode de balayage et pour établir la "liste de balayage" de vos canal.

### **Balayage de Canal Normal**

Une fois la liste de balayage établie, initier le balayage en appuyant et en relâchant le bouton scan (balayage; premier bouton sous le poussoir P.T.T.).

Si une conversation est détectée sur l'un des canal de la liste de balayage, la radio s'arrête sur ce canal et vous serez en mesure d'entendre la conversation. Si l'appareil est programmé pour un balayage detransmission, vous serez en mesure de transmettre sur ce canal actif pendant la durée du balayage programmée (la durée du balayage est le temps pendant lequel la radio demeure sur cette fréquence une fois que l'activité a cessé. Une programmation de 4 - 7 secondes par le vendeur est typique). La radio reprend le balayage une fois que le temps de balayage est expiré et poursuit ce balayage jusqu'au moment où le canal est changé. Le LED clignote en vert.

### **Balayage d'un Canal Prioritaire**

Il est possible de programmer un seul canal en tant que canal "Prioritaire". La radio surveillera constamment ce canal au cours du balayage et lorsque ce balayage s'arrête sur un canal actif et si un appel est détecté sur le canal prioritaire, la radio se cale automatiquement sur ce canal et y demeure tant que la conversation sur le canal prioritaire se déroule. L'activité sur un canal prioritaire a préséance sur toute autre conversation. Pour passer en mode de balayage prioritaire, appuyer sur le bouton scan et le relâcher (premier bouton sous le poussoir P.T.T.). Le LED clignotera en vert.

## **XV. Autres Caractéristiques du Balayage**

### **Retour en Arrière**

Cette fonction est idéale pour les utilisateurs ne requérant pas de faire un balayage comme indiqué ci-dessus mais souhaitent ne jamais manquer un appel fait sur le canal "Prioritaire" si un autre canal avait été sélectionné. Une fois un canal sélectionné, la radio effectuera périodiquement un "retour en arrière" au canal prioritaire. Si une activité est détectée sur le canal prioritaire,

## XV. Autres Caractéristiques du Balayage

### **Retour en Arrière (suite)**

la radio se calera sur ce canal autant qu'il demeure actif. Pour passer en mode "retour en arrière", appuyer sur le bouton scan et le maintenir enfoncé (premier bouton sous le poussoir P.T.T.). La valeur **Lb / Channel** sera affichée dans la fenêtre d'affichage et le LED clignotera en vert.

**REMARQUE:** La fonction "Retour en arrière" exige que la radio quitte le canal courant pendant une fraction de seconde (à intervalles réguliers) afin de vérifier s'il y a activité sur le canal prioritaire. En fonction de la programmation de l'appareil (vitesse de balayage, etc.), il est possible de ne pas remarquer cette particularité étant donné qu'il se produit une interruption sur le canal courant au cours de cette fraction de seconde. En tout temps, une transmission aura lieu sur le canal actif.

### **Effacement des Canal Balayés**

Pour effacer temporairement un canal de la liste de balayage, pousser simplement sur le bouton monitor (moniteur; second bouton sous le poussoir P.T.T.) au cours du balayage et arrêter sur le canal à effacer. Cette opération retire le canal de la liste de balayage jusqu'à ce que le canal soit changé ou jusqu'à ce que l'alimentation de la radio soit réenclenchée. Une fois l'alimentation rétablie ou lorsque la position du canal sur la liste de balayage est à nouveau sélectionnée, la liste de balayage originalement programmée sera activée.

### **Balayage CTCSS / DCS**

Afin de faciliter le blocage d'appels non sollicités effectués à votre radio, la Série SP-200K peut être programmée par votre vendeur pour faire un balayage de tonalités.

### **Transmission (TX) Avec Balayage Normal**

Cette fonction permet une transmission seulement jusqu'à la réception d'un appel, en fonction du temps de balayage programmé. Après la reprise du balayage et qu'une transmission est faite, la radio fera entendre deux bips, affiche **\_h** et ne permet pas d'effectuer une transmission.

### **Transmission (TX) Avec Balayage Prioritaire**

Cette fonction permet une transmission après la réception d'un appel en fonction du temps de balayage programmé. La transmission sera effectuée sur le canal de réception de l'appel. Après la reprise du balayage et si une transmission a lieu, la radio émet sur le canal prioritaire programmé.

## XV. Autres Caractéristiques du Balayage (suite)

### **Transmission (TX) Prioritaire Seulement**

Cette fonction permet une transmission sur le canal prioritaire lors du balayage, sans arrêt sur un canal actif. La radio émet toujours sur le canal prioritaire au cours du balayage ou si le poste se cale sur un canal actif.

### **Balayage sur le Mode Réception Seulement**

Ce mode ne permet que la réception. Il n'y a pas de transmission possible. Si malgré cela une transmission est faite, la radio émettra deux bips, affiche **r0** et interdit la transmission.

## XVI. Édition de la Liste de Balayage

En tout temps, il est possible d'éditer la liste originale de balayage et le canal de balayage prioritaire. Veuillez noter que si la radio a été programmée pour un balayage de canal seulement, il ne sera pas possible d'éditer la liste de balayage. Seul le canal prioritaire peut être édité.

### **Édition d'un Groupe de Canaux**

Pour éditer la liste de balayage de groupe sur une radio programmée pour un balayage d'un groupe de canal, mettre l'appareil hors-tension, appuyer et maintenir enfoncé le bouton scan (premier bouton sous le poussoir P.T.T.). Tout en maintenant le poussoir enfoncé, mettre la radio sous tension et noter l'apparition d'un clignotement rouge sur le LED. La fenêtre d'affichage indique **SE**. Relâcher le bouton scan. Le premier numéro du groupe s'affiche. Si vous ne souhaitez pas éditer le groupe sélectionné, appuyer sur le bouton ▲ ou ▼ pour sélectionner le groupe de canaux à éditer. Après la sélection, appuyer et relâcher le bouton scan (premier bouton sous le poussoir P.T.T.). Il est à présent possible d'éditer le no de canaux compris dans le groupe de canaux sélectionné.

Si le numéro du canal clignote, ce canal est déjà inclus dans la liste de balayage du groupe de canal sélectionné. Si le numéro est figé, il est possible d'ajouter ou d'effacer le canal de la liste de balayage. Appuyer et relâcher le bouton monitor (second bouton sous le poussoir P.T.T.). Le canal sélectionné clignote s'il avait été ajouté à la liste de balayage ou demeure figé s'il avait été effacé de la liste.

Pour éditer d'autres canaux, appuyer sur le bouton ▲ ou ▼ pour sélectionner le canal compris dans le groupe de canal. Pour ajouter ou effacer le canal nouvellement sélectionné de la liste de balayage d'un groupe de canal,



## XVI. Édition de la Liste de Balayage (suite)

### Édition d'un Groupe de Canal (suite)

répéter la procédure citée ci-dessus. Une fois les opérations d'édition de la liste de balayage de groupe de canal terminées, appuyer et relâcher le bouton scan (premier bouton sous le poussoir P.T.T.). A ce stade, il faut entrer la nouvelle liste de balayage de groupes de canal.

### Édition d'un Canal Prioritaire

Il est possible de ne programmer qu'un seul canal prioritaire dans la radio. Pour éditer un canal prioritaire, mettre la radio hors-tension, appuyer et maintenir le bouton scan (premier bouton sous le poussoir P.T.T.). Tout en maintenant le bouton scan enfoncé, mettre le poste de radio sous tension et relâcher le bouton scan après le second clignotement en rouge du LED. **PE** apparaît dans la fenêtre d'affichage. Relâcher le bouton scan. Le premier numéro de canal s'affiche. Si ce canal n'est pas votre canal prioritaire, appuyer et relâcher le bouton ▲ ou ▼ pour sélectionner le canal prioritaire désiré.

Après la sélection du canal, un numéro de canal clignotant indique que le canal est déjà sélectionné comme étant prioritaire. Si le numéro de canal est figé, ce canal n'a pas été sélectionné comme étant prioritaire. Pour ajouter le canal sélectionné comme étant prioritaire ou l'effacer, appuyer et relâcher le bouton monitor (second bouton sous le poussoir P.T.T.). Le canal sélectionné clignotera s'il avait été ajouté comme canal prioritaire ou est figé s'il avait été effacé.

Une fois le processus d'ajout ou d'effacement du canal prioritaire effectué, appuyer et relâcher le bouton scan. A ce stade, le nouveau canal prioritaire devrait en principe être intégré.

## XVII. Installations Possibles pour la Série de SP-200K

Cochez les configurations appropriées ci-dessous:

Puissance Vers le Haut D'Alerte	SUR( )	OUTRE DE ( )
Brouilleur en Fonction à la Mise Sous Tension	SUR( )	OUTRE DE ( )
Alerte "Marche / Arrêt" de Brouilleur	SUR( )	OUTRE DE ( )
Brouilleur Permanent	OUI( )	NON ( )
<b>P.T.T.:</b>		
Verrouillage de P.T.T. Jusqu'à Selcall Valide	OUI( )	NON ( )
Identification Automatique de Nombre (ANI)	OUI( )	NON ( )
Tous les Deux	OUI( )	NON ( )
<b>Bloc de Touches:</b>		
Selcall Seulement	OUI( )	NON ( )
DTMF Seulement	OUI( )	NON ( )
Tous les Deux	OUI( )	NON ( )
<b>Clé 1 - Presse Courte = (Presse et Version Immédiate):</b>		
Brouilleur à Bascule	OUI( )	NON ( )
Appel 1	OUI( )	NON ( )
Appel 2	OUI( )	NON ( )
Appel d'Urgence	OUI( )	NON ( )
Appel de Groupe	OUI( )	NON ( )
Assommez / Rétablissez	OUI( )	NON ( )
Moniteur à Bascule	OUI( )	NON ( )
"Marche / Arrêt" Secret	OUI( )	NON ( )
Bloc de Touches à Bascule	OUI( )	NON ( )
<b>Clé 1 - Longue Presse = (Presse et Prise Pendant 2 Secondes):</b>		
Brouilleur à Bascule	OUI( )	NON ( )
Appel 1	OUI( )	NON ( )
Appel 2	OUI( )	NON ( )
Appel d'Urgence	OUI( )	NON ( )
Appel de Groupe	OUI( )	NON ( )
Assommez / Rétablissez	OUI( )	NON ( )
Moniteur à Bascule	OUI( )	NON ( )
"Marche / Arrêt" Secret	OUI( )	NON ( )
Bloc de Touches à Bascule	OUI( )	NON ( )

## XVII. Installations Possibles pour la Série de SP-200K (suite)

Cochez les configurations appropriées ci-dessous:

### Clé 2 - Presse Courte = (Presse et Version Immédiate):

Brouilleur à Bascule	OUI( )	NON ( )
Appel 1	OUI( )	NON ( )
Appel 2	OUI( )	NON ( )
Appel d'Urgence	OUI( )	NON ( )
Appel de Groupe	OUI( )	NON ( )
Assommez / Rétablissez	OUI( )	NON ( )
Moniteur à Bascule	OUI( )	NON ( )
"Marche / Arrêt" Secret	OUI( )	NON ( )
Bloc de Touches à Bascule	OUI( )	NON ( )

### Clé 2 - Longue Presse = (Presse et Prise Pendant 2 Secondes):

Brouilleur à Bascule	OUI( )	NON ( )
Appel 1	OUI( )	NON ( )
Appel 2	OUI( )	NON ( )
Appel d'Urgence	OUI( )	NON ( )
Appel de Groupe	OUI( )	NON ( )
Assommez / Rétablissez	OUI( )	NON ( )
Moniteur à Bascule	OUI( )	NON ( )
"Marche / Arrêt" Secret	OUI( )	NON ( )
Bloc de Touches à Bascule	OUI( )	NON ( )

## **XVIII. Accessoires Compatibles de SP-200K / SP-210K**

- Paquet Prismatique de batterie de 900 mAh (QPA-900)
- Paquet de batterie de 1350 mAh NiMH (QPA-1350)
- Antenne de VHF, non coupée, 148-174 MHz, SMA (ACC-102)
- Antenne à UHF, 440-470 MHz, 3-1/2", SMA (ACC-100)
- Fente duelle / chargeur duel d'appareil de bureau de cadence (ACC-400K)
- Écouteur d'ultra-lite avec verrouiller le connecteur (ACC-616)
- Écouteur bruit-atténuant d'au-dessus-tête (ACC-626)  
(exige l'adaptateur ACC-506)
- Écouteur bruit-atténuant de derrière-tête (ACC-627)  
(exige l'adaptateur ACC-506)
- Haut-parleur de bourgeon d'oreille avec les P.T.T. intégrées,  
microphone et connecteur de verrouillage (ACC-706)
- Microphone de haut-parleur de revers avec le plot d'oreille et le  
connecteur de verrouillage (ACC-726)
- Microphone résistant de haut-parleur avec le plot sonore d'écouteur  
(ACC-727)
- Écouteur de lover-corde, utilisé avec ACC-727 (QPA-1424)
- Haut-parleur d'oreille, pour l'usage avec ACC-726 (WTA-9F)
- Cas en cuir avec le pivot (ACC-300)
- Cas en nylon avec le clip de ceinture (ACC-301)
- Adaptateur d'accessoire de 1-broche de 2-broches (ACC-506)

## **XIX. Licence par le FCC**

La réglementation du FCC exige que tout utilisateur de cet émetteur / récepteur radio détienne une licence en bonne et due forme compte tenu de la règle ou des règles applicable(s).

Consulter votre concessionnaire en matériel de communication radios ou contacter le bureau local du FCC pour toute information relative à l'obtention d'une telle licence.

## **XX. Service**

Ne pas altérer les réglages internes du poste sous peine de causer des dommages à l'équipement ou causer un fonctionnement anormal. L'intérieur ne contient pas des composants justifiant ce type d'intervention. Nous recommandons de retourner la radio à un concessionnaire en matériel de communication radios pour tout type de service ou de réparations.

## **XXI. Droits de Reproduction du Logiciel**

Le(s) product(s) de Topaz3 / Maxon décrit(s) dans ces consignes d'utilisation peut inclure des programmes copyrightés de Topaz3 / Maxon logiciel enregistrés dans des mémoires à semiconducteurs ou d'autres medias. Les lois aux Etats-Unis et à toute autre conserve de pays pour certaines droites exclusives de Topaz3 / Maxon pour copyrightés des programmes de logiciel, y compris la droite exclusive de copier ou se reproduire sous n'importe quelle forme copyrighté le programme de logiciel.

En conséquence, des programmes copyrightés de Topaz3 / Maxon logiciel contenus dans les produits de Topaz3 / Maxon décrits dans ce ne peut pas être copié ou reproduit sans permission écrite exprès de Topaz3, LLC.

En outre, l'achat des produits de Topaz3 / Maxon ne sera pas considéré pour accorder directement ou implicitement, effet d'estoppel, ou autrement, aucun permis sous copyright, brevets ou demandes de brevet de Topaz3, LLC, excepté le permis non-exclusif et redevance-libre normal d'utiliser qui surgit par exécution de loi dans la vente d'un produit.

## **XXII. Entretien**

Les radios de la Série SP-200K ne requièrent pas d'entretien. Afin de garder l'appareil en bon état, appliquer les instructions de nettoyage suivantes:

- Nettoyer les surfaces extérieures avec un chiffon propre imprégné d'une solution de détergent à vaisselle liquide diluée avec de l'eau. Appliquer la solution parcimonieusement pour éviter toute infiltration d'humidité dans les orifices. NE PAS immerger la radio dans le liquide. Utiliser une brosse non-métallique pour les particules si nécessaire. Sécher la surface complètement avec un chiffon doux non-pelucheux.
- NE PAS utiliser de solvants ou d'alcool pour le nettoyage. Ces produits peuvent causer des dommages permanents au boîtier.
- Nettoyer les contacts de la batterie et les prises pour accessoires avec un chiffon non-pelucheux pour enlever la saleté, la graisse ou les corps étrangers pouvant empêcher un bon contact électrique.

## **XXIII. Garantie de produit**

Topaz3, LLC (dans le présent Topaz3), garantit chaque nouveau produit par radio construit ou fourni par lui pour être exempts des défauts dans le matériel et l'exécution sous l'utilisation normale et le service pour la période de temps ont énuméré ci-dessous, à condition que l'utilisateur se soit conformé aux conditions indiquées dans le présent. De la la période de garantie commence la date de l'achat les ventes un Topaz3 autorisées et la sortie de service. Cette garantie est offerte à l'utilisateur initial et n'est pas assignable ou transmissible. Topaz3 n'est pas responsable d'aucun matériel annexe au lequel est attaché ou utilisé en même temps que des produits de Maxon et de Legacy.

Topaz3 offre à l'utilisateur initial (2) une garantie deux limitée par an sur toutes les affaires de Maxon et de Legacy et produits par radio industriels. Les accessoires portent un (1) une garantie limitée par an.

Pendant cette période, si le produit ne fonctionne pas sous l'utilisation normale en raison le defect(s) de fabrication ou l'exécution, dont il devrait être retourné derrière les ventes Topaz3 et derrière la sortie de service autorisées il a été acheté. Les ventes et la sortie de service répareront le produit, ou renvoyez le produit pour la réparation Topaz3 ou son dépôt autorisé de réparation. L'utilisateur est responsable du paiement de tous les frais ou frais eus pour le déplacement du produit défectueux from le véhicule ou tout autre site de son utilisation; pour le transport du produit to les ventes et sortie de service; pour le retour of réparé/produit de rechange au site de son utilisation et pour la réinstallation du produit.

Topaz3 n'aura aucune obligation de dépanner ou pour causer le remplacement exigé qui résulte de l'usure normale et larme ou se rend nécessaire entièrement ou partiellement par catastrophe, défaut ou négligence de l'utilisateur, inexact ou des changements non autorisés ou des réparations au produit, câblage incorrect, utilisation du produit en quelque sorte pour ce qu'il n'a pas été conçu, ou par des causes externes au produit. Cette garantie est vide si le numéro de série de produit est modifié, défiguré ou retiré.

L'engagement unique de Topaz3's ci-dessous sera de substituer ou réparer le produit couvert dans cette garantie. Le remplacement, à l'option de Topaz3's, peut inclure un produit semblable ou haut-comporté. La réparation peut inclure le remplacement les parties ou les panneaux avec des pièces fonctionnellement équivalentes ou des panneaux reconditionnés ou nouveaux. Des pièces, les accessoires, les batteries ou les panneaux remplacés sont justifiés pour l'équilibre de la période de temps initiale. Tous les pièces, accessoires, batteries ou panneaux remplacés deviennent la propriété de Topaz3.

**LES GARANTIES EXPRES CONTENUES DANS LE PRÉSENT SONT AU LIEU DE TOUTES AUTRES GARANTIES, EXPRIMÉES OU IMPLICITES OU STATUTAIRES, Y COMPRIS, SANS LIMITATION, N'IMPORTE QUELLE GARANTIE DE VALEUR MARCHANDE OU FORME PHYSIQUE POUR UN BUT PARTICULIER.**

(suite)

### **XXIII. Garantie de produit (suite)**

POUR N'IMPORTE QUEL PRODUIT QUI N'EST PAS CONFORME À LA GARANTIE INDIQUÉE, LE REMÈD'UNIQUE SERA RÉPARATION OU REMPLACEMENT. DANS AUCUN CAS LA VOLONTÉ TOPAZ3 SOIT EXPOSÉE L'CACHETEUR OU SES CLIENTS POUR TOUS LES DOMMAGES, Y COMPRIS DERRIÈRE À N'IMPORTE QUELS DOMMAGES SPÉCIAUX, FORTUITS, INDIRECTS OU CONSÉCUTIFS, OU DERRIÈRE LE AU MANQUE À GAGNER, LE REVENU OU LES DONNÉES PROVENANT L'CUTILISATION D'OU L'INCAPACITÉ D'UTILISER LE PRODUIT.

Cette garantie est vide pour des ventes et des livraisons en dehors de des Etats-Unis ou le Canada.



*Supplier of Maxon<sup>®</sup>, Legacy and TruTalk  
Communication Products*

**Topaz3, LLC  
10828 NW Air World Drive  
Kansas City, Missouri 64153**

***www.topaz3.com***

**Toll free: 800-821-7848  
Phone: 816-891-6320 • Fax: 816-891-8815**

Maxon is a registered tradename of Maxon America, Inc.

Printed in Thailand  
Imprime en Thaïlande  
Impreso en Tailandia

P/N: 680-090-2027