

Two-way Mobile Radios

Table of Contents

Radio Model	pages
ASTRO DIGITAL SPECTRA	134-145
c370/c470.....	174-177
CDM750/1250/1550.....	196-205
GM300	104-109
GTX	162-165, 170-173
LCS 2000.....	166-173
LM100/LM2000	182-185
m100/m370/m470	178-181
M10.....	110-111, 116-119
M100	56-63
M120	112-113, 116-119
M130	114-119
M1225	146-153
M208/M216	120-125
MARATRAC	84-97
MAXTRAC.....	70-77
MCS2000	186-195

Radio Model	pages
MCX90	46
MCX100	38-45
MCX1000	78-83
MDC SIGNALING.....	47
MITREK.....	2-13
PRIVACY PLUS 250/750	98-103
PRIVACY PLUS 500.....	52-55
PRIVACY PLUS 1000.....	48-51
SM50/SM120.....	154-161
SPEAKERS	224-226
SPECTRA.....	64-69
SPECTRA MOTORCYCLE	126-133
SYNTOR 9000E.....	14-19
SYNTOR X.....	20-31
SYNTOR X 9000	32-37
XTL 5000.....	206-223

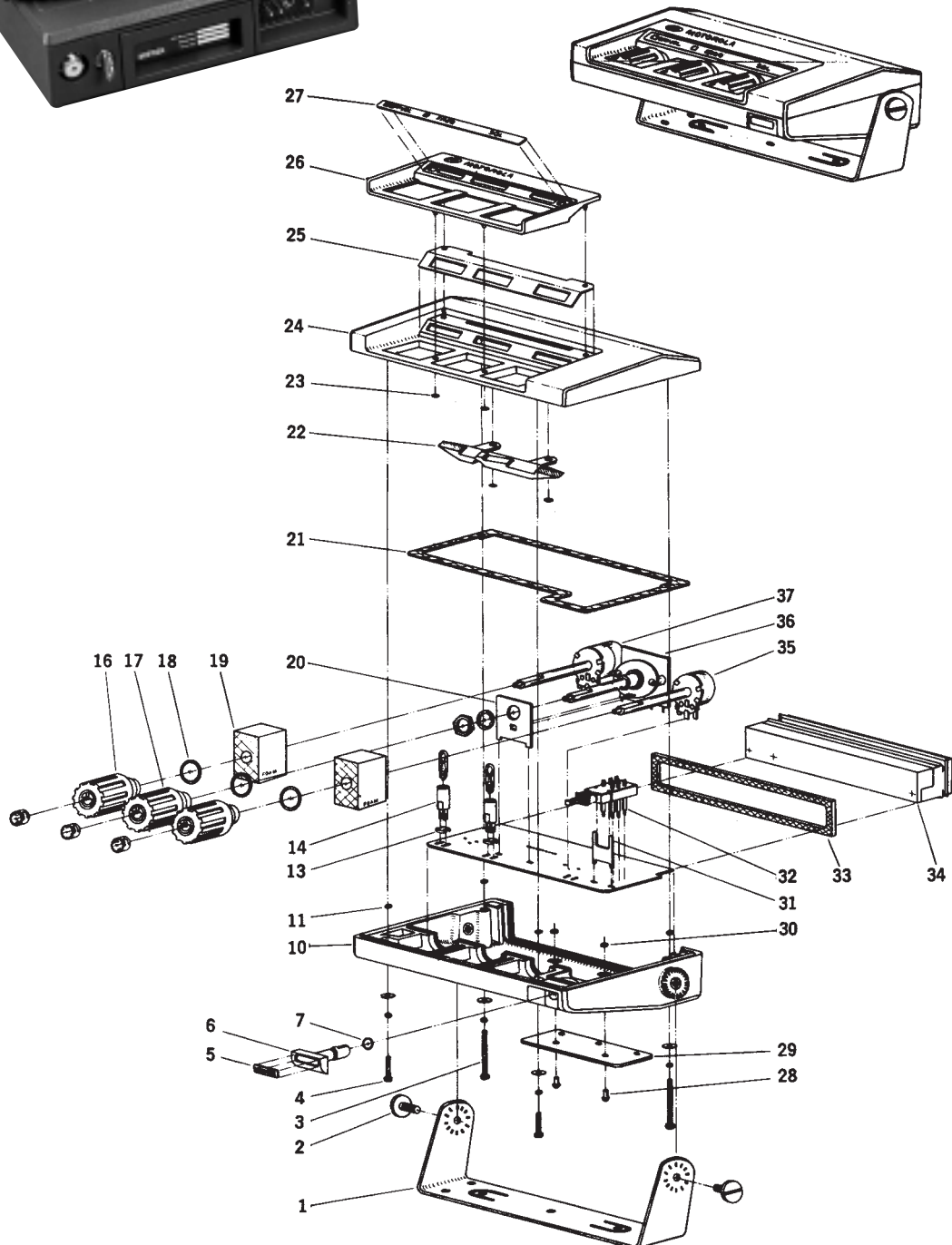
MOTOROLA, the Stylized M Logo, ASTRO DIGITAL SPECTRA, c370, c470, CDM750, CDM1250, CDM1550, GM300, GTX, LCS 2000, LM100, LM2000, m100, m370, m470, M10, M100, M120, M130, M1225, M208, M216, MARATRAC, MAXTRAC, MCS2000, MCX90, MCX100, MCX1000, MDC SIGNALING, MITREK, PRIVACY PLUS 250, PRIVACY PLUS 500, PRIVACY PLUS 750, PRIVACY PLUS 1000, SM50, SM120, SPECTRA, SPECTRA MOTORCYCLE, SYNTOR 9000E, SYNTOR X, SYNTOR X 9000 and XTL 5000 are registered in the U.S. Patent and Trademark Office. All other product or service names are the property of their respective owners.

©Motorola, Inc. 2003.



MITREK Series

Parts List



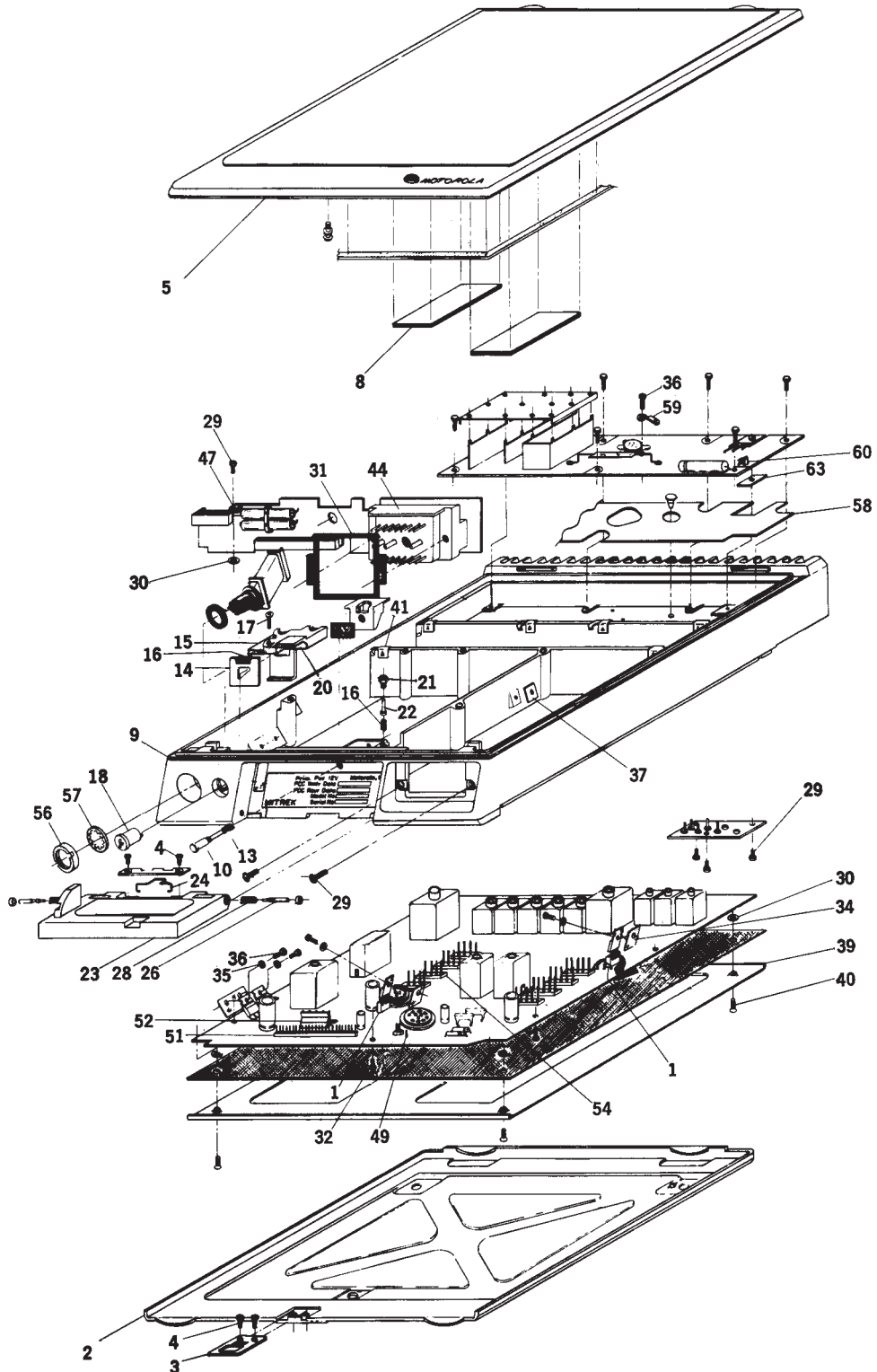
Replacement parts are no longer available

MITREK Series*Parts List*

REF. NO.	PART NO.	DESCRIPTION	REF. NO.	PART NO.	DESCRIPTION
-------------	----------	-------------	-------------	----------	-------------

***Cancelled Product MITREK:
Aftermarket support criteria has
been met for spare parts. Items
are no longer available.***

Parts List



Replacement parts are no longer available

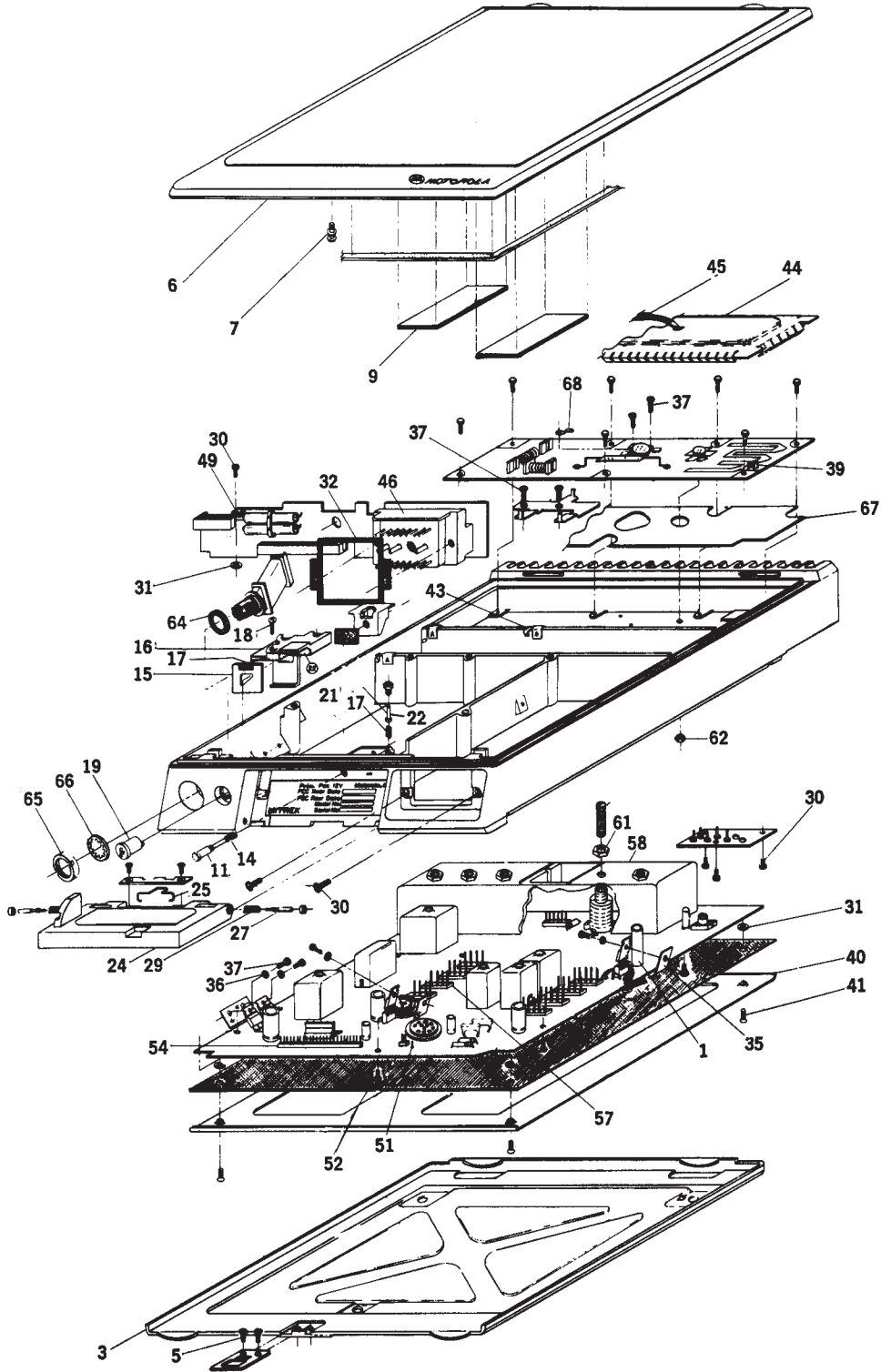
MITREK Series*Parts List***Low Band Radio Assembly**

REF. NO.	PART NO.	DESCRIPTION	REF. NO.	PART NO.	DESCRIPTION
-------------	----------	-------------	-------------	----------	-------------

**Cancelled Product MITREK:
Aftermarket support criteria has
been met for spare parts. Items
are no longer available.**



Parts List



Replacement parts are no longer available

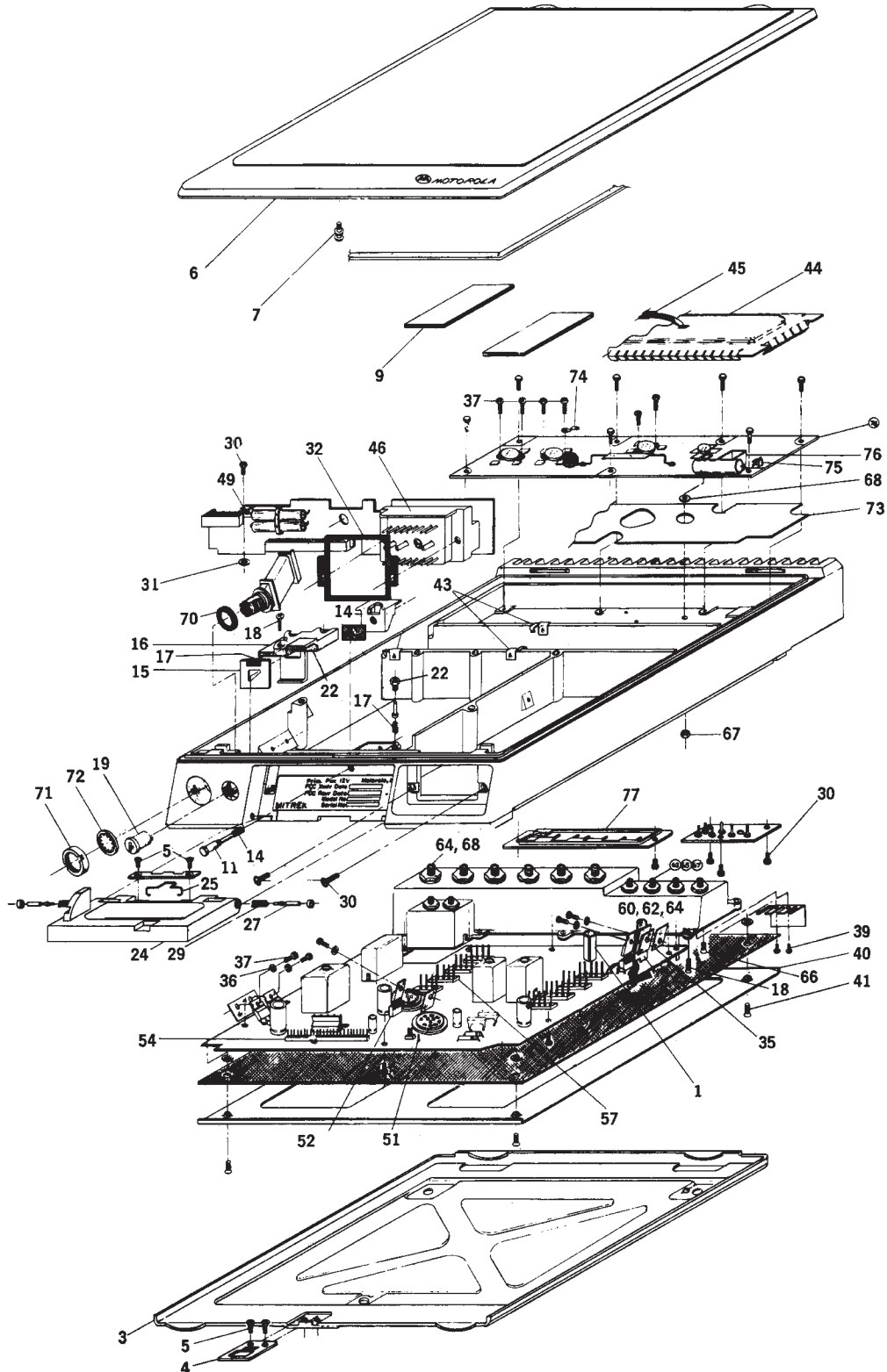
MITREK Series*Parts List***High Band Radio Assembly**

REF. NO.	PART NO.	DESCRIPTION	REF. NO.	PART NO.	DESCRIPTION
-------------	----------	-------------	-------------	----------	-------------

**Cancelled Product MITREK:
Aftermarket support criteria has
been met for spare parts. Items
are no longer available.**



Parts List



Replacement parts are no longer available

MITREK Series*Parts List***UHF Assembly**

REF. NO.	PART NO.	DESCRIPTION	REF. NO.	PART NO.	DESCRIPTION
-------------	----------	-------------	-------------	----------	-------------

***Cancelled Product MITREK:
Aftermarket support criteria has
been met for spare parts. Items
are no longer available.***



MITREK Series

Mobile Accessories

Mobile Microphones



Microphones are equipped with an all transistor preamplifier which provides added clarity and increased communications efficiency. Choose a weather resistant model for adverse weather conditions or noise cancelling model for high noise environments.

HMN1015A Weatherproof Palm Microphone

Hang-up Boxes

Hang-up boxes are used with Private-Line and Digital Private-Line coded squelch radios to automatically place the radios in monitor (carrier squelch) mode when the microphone/handset is lifted off-hook. In addition, the handset hang-up boxes transfer audio from the mobile speaker to the handset receiver when lifted off-hook. Models containing a slide switch which places the radio in the monitor mode while still on-hook are also available.



HLN4024B Microphone Hang-up Box

Speakers



This 10 watt speaker is rated at 3.2 ohms and is designed for use with all MITREK series radios. Complete with universal mount, this compact speaker measures 5" W x 5" L x 2 1/2" H and can be utilized in multiple installation applications.

HSN4020B 10 Watt Speaker

Power Cables

For use with 75, 100 and 110 watt models

HKN4017A Cable Kit, 17 feet (four frequency)

Installation Kit



Includes tapping screws, locking washer, crimp terminal, rubber grommet and nylon tie wraps for installing radio into vehicle.

HLN4022E Installation Kit

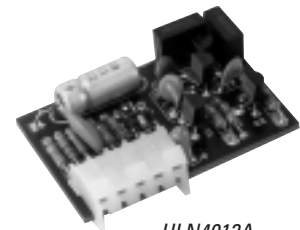
Mounting Plate

HLN4034C Bottom Mounting Plate

Time-out Timer

Prevents lock-up of a repeater or tie up of a channel. An alert tone is emitted and the transmitter is shut off after the transmission exceeds 60 seconds.

HLN4012A Time-out Timer



MITREK Series

Mobile Accessories

Cable Kit

Transmit/Ignition Cable Kit

Allows the radio to be used in the standby (receive only) mode when ignition key is removed from vehicle.

HKN4007A Transmit/Ignition Switch Cable Kit



HKN4007A

MITREK Systems•90 Accessories

Single Housing

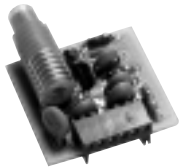
Consists of a single housing with standard trunnion which can accommodate one, one board option and one alternative control module.

THN6125A Single Housing



THN6125A

RF Pre-Amplifiers



HLD4051A

Pre-amplifiers boost input in fringe areas for improved reception.

HLD4051A Pre-amplifier, 136-146 MHz

HLD4052A Pre-amplifier, 146-174 MHz

Alternate Control Module

Alternate control modules may be installed in an accessory housing and used as a substitute for the standard control head.

HLN1001A Alternate Control Module (four frequency)

Noise Reduction Kits

Reduces alternator and/or ignition noise which improves radio audio quality.

TLN8845A Ignition Noise Reduction Kit



TLN8845A

MITREK Series

Accessories, Antennas

MITREK Systems•90 Accessories

Hang-up Boxes



Three models are available which automatically place the radio in the monitor mode when the microphone/handset is lifted off-hook. This allows the operator to check for a clear channel before transmitting as required by the FCC.

HLN4188A Microphone Hang-up Box, Private-Line

Power Cables

A variety of cable kits are available for new installation or replacement applications. Multiple vehicles with power cables facilitates quick transfer of radios from one vehicle to another.

For 30, 40, 50 and 60 watt radios

HKN4008A Cable Kit, 17 feet, negative ground

For 75, 100 and 110 watt radios

HKN4041A Cable Kit, negative ground, with high power fuse

Mobile Antennas



RAB4012ARA

Part Number: **RAB4012ARA**

Frequency: 30-36 MHz

Power: 100 watts, maximum

Gain: Unity nominal

VSWR: Less than 1.5:1

Duty: Heavy

Impedance: 50 ohms, nominal

Mounting Kit: Roof Mount with 17' RG58A/U Cable and PL259 Connector



Part Number: **RAB4013ARA**

Frequency: 36-42 MHz

Power: 100 watts, maximum

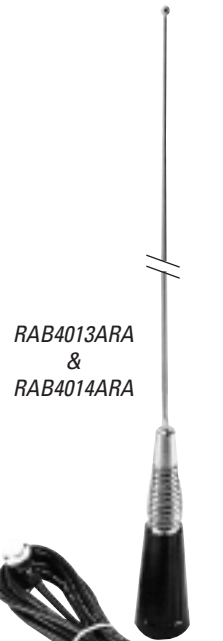
Gain: Unity, nominal

VSWR: Less than 1.5:1

Duty: Heavy

Impedance: 50 ohms, nominal

Mounting Kit: Roof Mount with 17' RG58A/U Cable and PL259 Connector



RAB4013ARA
&
RAB4014ARA

Part Number: **RAB4014ARA**

Frequency: 42-50 MHz

Power: 100 watts, maximum

Gain: Unity nominal

VSWR: Less than 1.5:1

Duty: Heavy

Impedance: 50 ohms, nominal

Mounting Kit: Roof Mount with 17' RG58A/U Cable and PL259 Connector

MITREK Series

Service Tools, Manuals

Service Tools



6680385A04

Extractor Tool

Aids in removal of contact pins from connectors J3 and P3.

6680385A04 Extraction Tool

Tuning Tool

General purpose transmitter and receiver alignment tool.

6682977K01 Tuning Tool



6682977K01



RSX4028A

Spanner tool

Used to remove antenna relay locking nut.

RSX4028A Spanner Tool

Manuals

MITREK Mobiles/Base

25-54 MHz

6880100W79 30-50W Broadband Antenna Match

136-174 MHz

6881045E70 40/60W, 75/110W, 1-4 Frequencies, FM Radio
T43/53JJA Series (A Suffix)
T63/JJA Series (A Suffix)

6881040E80 MITREK Super Console Base Station L43, L53JJB Series

6881045E70 40/60/75/110W, 134-176 MHz, 1-4 Frequencies, FM Radio
T43/53/63/83JJA Series (B Suffix)

6881109E58 MITREK Control Scan Monitor

403-512 MHz

6881045E75 30/50W, 75/110W, 1-4 Frequencies, FM Radio

6881040E80 MITREK Super Console Base Station L44, L54JJB Series

6881045E75 30/50/75/100W, 1-4 Frequencies, FM Radio
T34/44/64/74JJA Series (B Suffix)

806-870 MHz

6881045E80 12/35W, 1-5 Frequencies, FM Radio
Base Station Owner's Manual

Systems•90 Installation

6881109E57 MITREK Systems•90 Mobile Public Address

6881110E50 MITREK Systems•90 Accessory Group Installation Instructions

SYNTOR 9000E Series*Parts List*

REF. NO.	PART NO.	DESCRIPTION	REF. NO.	PART NO.	DESCRIPTION
-------------	----------	-------------	-------------	----------	-------------

***Cancelled Product SYNTOR 9000E:
Aftermarket support criteria has
been met for spare parts. Items are
no longer available.***



SYNTOR 9000E Series

Mobile Accessories

Microphones

A variety of microphones are available to meet the users requirements. The palm microphone contains an amplifier to provide the radio with high-level, noise-free audio input. The noise cancelling microphone helps reduce ambient noise from being transmitted. A handset which provides added privacy is also available.

HMN4013A Microphone, Noise Cancelling

HMN1032B Microphone, Touch Code

HLN1220B Handset with Hang-up Box



HMN1032B

Speakers



HSN4018B

Rated at 15 watts. This speaker permits monitoring of radio messages while the driver is outside the vehicle.

HSN4018B Speaker, Standard, Includes 8-foot cable

Siren Loudspeakers



TDN6251A

Specifically designed for electronic siren, public address and high intelligibility communications. Suitable for mobile or stationary installations. Horns can be mounted on roof, lightbar or fender. Rated at 100 watts. The wide angle siren is specifically designed to reduce wind resistance and enhance aesthetic appearance of vehicle.

TDN6251A Siren Loudspeaker, 11 ohm, Chrome

TDN6254A Siren Loudspeaker, 11 ohm, Gray Epoxy Finish

TDN6252A Siren Speaker, Wide Angle, 100 watt

Underhood Siren Loudspeaker



TDN6253A

Compact rectangular weather resistant electronic siren loudspeaker is ideal for unmarked vehicles. Equipped with a durable metal horn. Can be mounted behind grill, fender well or under hood. Power rating is 100 watts.

TDN6253A Underhood Siren Loudspeaker, 11 ohm, Gray Epoxy Finish

SYNTOR 9000E Series

Accessories, Antennas

Cable Kits

HKN4241A Radio Power Cable, Negative Ground, 17 Ft, 32 Mode

HKN4051A Cable and Fuse

Auxiliary Switch Panel

Supplemental bank of eight switches used to control electrical functions in the vehicle

HLN1224B Auxiliary Switch Panel

Installation Kit

HLN4111A Installation Kit. Contains self-tapping screws, locking washers, flat washer, staple, rubber grommet, clamp, bush spacer, label, and poly bag

Mounting Tray

0180016K02 Mounting Tray

Antennas



Part Number: **RRA4900C**

Frequency: 806-900 MHz

Power: 150 watts,
maximum

Gain: 3dB, nominal

VSWR: Less than 1.5:1

Impedance: 50 ohms,
nominal

Mounting Kit: Roof Mount
with 14' Low
Loss Cable
and PL259
Connector

SYNTOR 9000E Series

Service Tools, Aids

Service Tools



RSX4043A

Torque Screwdriver

Measures the amount of torque being applied. Built-in magnified dial. Calibrations clearly marked. Bits must be ordered separately.

RSX4043A Adjustable Torque Screwdriver

6680387A74 Torx Bit T10 For Chassis Screws

6680387A75 Torx Bit T15 For Chassis Screws

6680387A76 Torx Bit T20 For Chassis/Handle Screw

Alignment Tools

Alignment Kit

General Purpose Alignment Kit.

6684974L01 Alignment Kit, consisting of Alignment Tool

6680163F01 Extraction Tool used to remove VIP Connectors from Control Head

RSX4028A Spanner Tool, Removes Antenna Relay Locking Nut

Service Aids

Programming Software

Utilizing your personal computer, the software enables you to add or reprogram frequencies as your requirements change. Compatible with IBM XT, AT, Model 30, 50, 60 and 80. Requires Radio Interface Box and proper cables, must be ordered separately.

RVN4009F Programming Software, 3 1/2" Diskette, Includes binder and manual

Radio Interface Box

Links radio programming cable and computer interface together. Provides required voltage shift to enable communications between radio and computer. Requires computer interface cable, radio programming cable, and a 9-volt snap-type battery (6082728J01), or wall mount power supply, order separately.



RLN4008E

RLN4008E Radio Interface Box

Programming Guide

Required to program radio, acts as a link between RIB box and radio.

0180353A75 Programming Cable

SYNTOR 9000E Series

Service Aids, Manuals

Service Aids

Computer Interface Cable

Used to connect computer's serial port to Radio Interface Box.

3080369B71 Cable, RIB to 25 pin D

3080369B72 Cable, RIB to 9 pin D

Wall Mounted Power Supply

Used to supply power to Radio Interface Box.

0180357A57 Wall Mounted Power Supply (110 volts)

0180358A56 Wall Mounted Power Supply (220 volts)

Manuals

6880101W62 Systems 9000E Dual Operation Radio Service Manual

Accessories

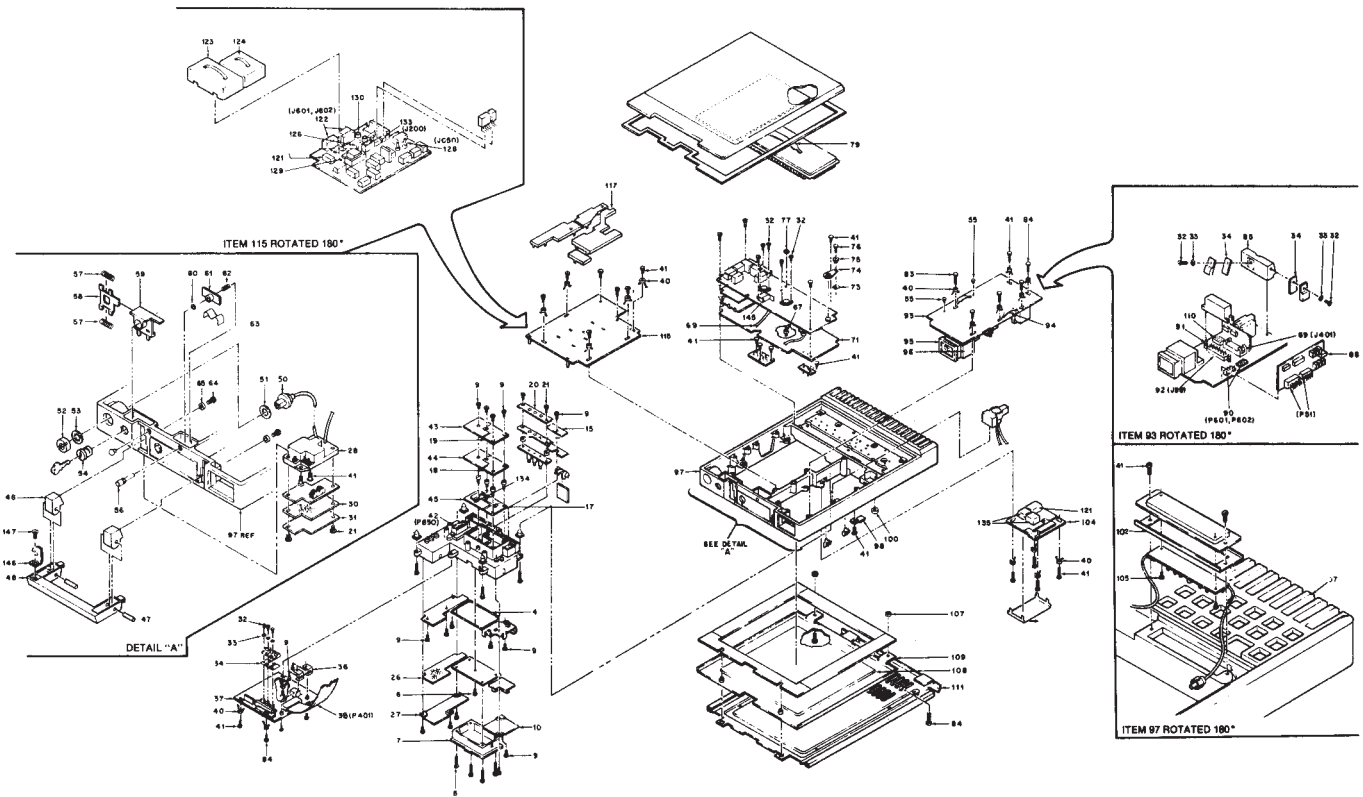
6880101W75 Systems 9000 Security Housing
6880101W90 Systems 9000 Security Housing Operator's Card
6881102E60 Handset Hang-up Units
6880101W97 Systems 9000 Option Expansion Housing
6880100W43 Handheld Control Head Radios
6880100W44 Option W388AC DES for Handheld Control Head Radios

Manuals

6880100W53 HLN1125A Field Retrofit EEPROM Module
6880100W72 Operating Instruction Card for Handheld Control Head with Operator Selectable Scan and DPV
6880100W73 Operating Instruction Card for Handheld Control Head with Select Scan
6880100W79 Broadband Antenna Match
6880100W86 Diplex Antenna Manual
6880100W89 Supplement to Trunked SMARTNET Dual Operation FM Two-Way Radios
6880102W04 SYNTOR X 9000 UHF Accessories Supplement
6880102W05 SYNTOR X 9000 Highband Accessories Supplement
6880101W10 Systems 9000 Siren/PA for SYNTOR X 9000
6880101W13 Systems 9000 Auxiliary Switch Panel
6880101W15 Systems 9000 MDC-600 Option
6880101W20 Systems 9000 Noise Cancelling Microphone
6880101W21 Systems 9000 DTMF/Telephone Interconnect
6880103W09 Systems 9000 Direct Entry Keyboard
6880101W72 SYNTOR X 9000E Dual Operations Radio Operator's Manual
6880101W73 SYNTOR X 9000E Quick Reference Card

SYNTOR X Series

Parts List



Replacement parts are no longer available

SYNTOR X Series

Parts List

Low Band Assembly

REF. NO.	PART NO.	DESCRIPTION	REF. NO.	PART NO.	DESCRIPTION
----------	----------	-------------	----------	----------	-------------

**Cancelled Product SYNTOR X:
Aftermarket support criteria has
been met for spare parts. Items
are no longer available.**



SYNTOR X Series*Parts List***High Band Assembly**

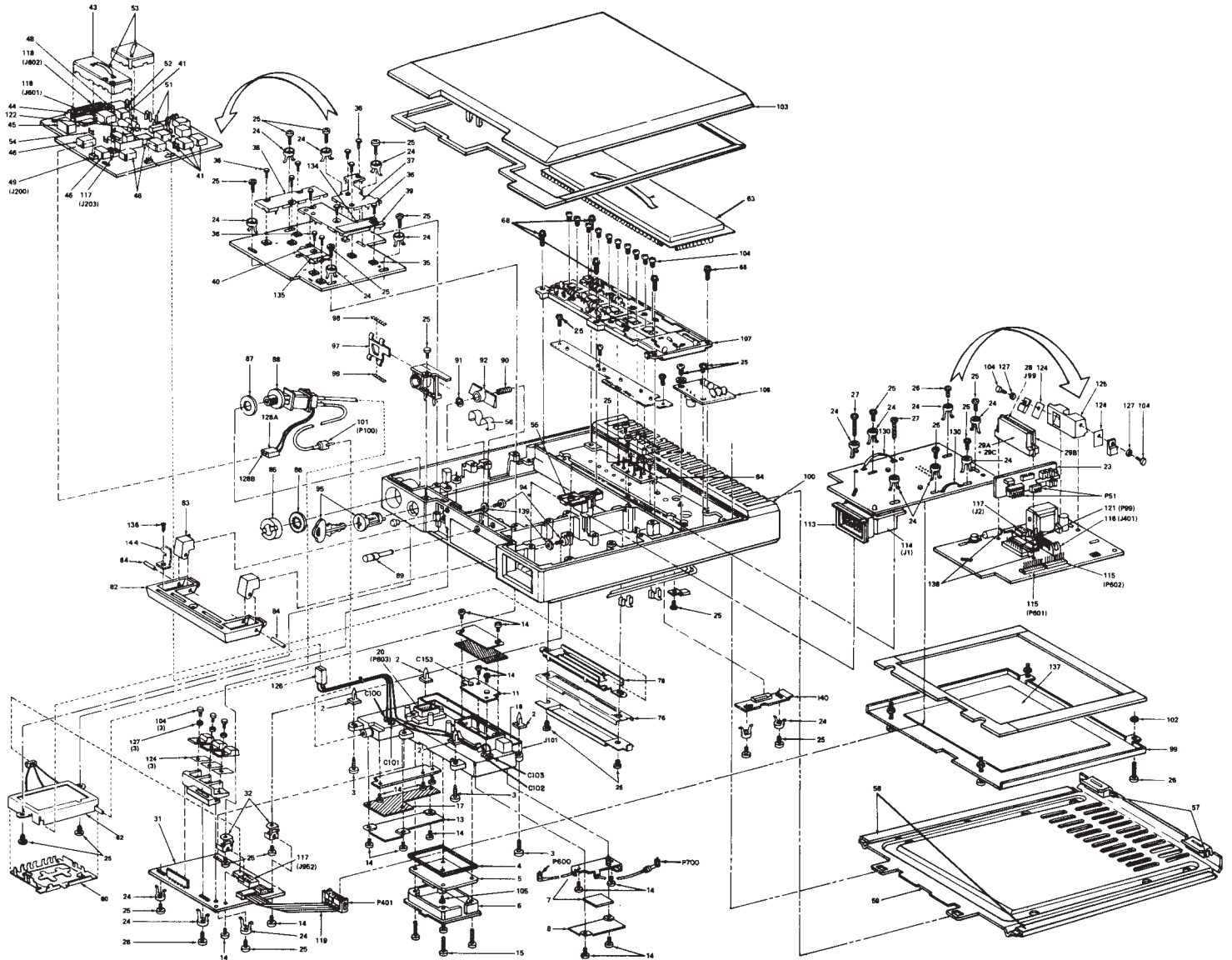
REF. NO.	PART NO.	DESCRIPTION	REF. NO.	PART NO.	DESCRIPTION
-------------	----------	-------------	-------------	----------	-------------

***Cancelled Product SYNTOR X:
Aftermarket support criteria has
been met for spare parts. Items
are no longer available.***



SYNTOR X Series

Parts List



Replacement parts are no longer available

SYNTOR X Series

Parts List

UHF Assembly

REF.
NO. PART NO. DESCRIPTION

REF.
NO. PART NO. DESCRIPTION

***Cancelled Product SYNTOR X:
Aftermarket support criteria has
been met for spare parts. Items
are no longer available.***



SYNTOR X Series*Parts List***800 MHz Assembly**

REF. NO.	PART NO.	DESCRIPTION	REF. NO.	PART NO.	DESCRIPTION
-------------	----------	-------------	-------------	----------	-------------

**Cancelled Product SYNTOR X:
Aftermarket support criteria has
been met for spare parts. Items
are no longer available.**



SYNTOR X Series

Mobile Accessories

Microphones



HMN1015A

Allows for easy one hand operation. All microphone housings are constructed of durable, shockproof, high impact plastic. The noise cancelling microphone helps to reduce ambient noise from being transmitted.

HMN1015A Microphone, standard palm. Used with Trunked SYNTOR X, X2, X3, SYNTOR X 800 MHz and SYNTOR X high band/UHF.

Speakers

Speakers are enclosed in a strong plastic housing and include their own trunnion bracket for mounting on firewall or dashboard.

HSN4005A Speaker, 15 watts, 8-foot cable. Used with Trunked SYNTOR X, X2, X3, SYNTOR X 800 MHz and SYNTOR X high band/UHF

Power Cables

A variety of cable kits are available for new installation or replacement applications. Multiple vehicles with power cables facilitate quick transfer of radios from one vehicle to another.

HKN4051A Cable and Fuse Kit (30" #8 gauge red battery cable with 40 amp fuse). Used with SYNTOR X 800 MHz and SYNTOR X high band/UHF

TKN6456A Control Head Power Cable. Used with SYNTOR X, X2, X3

TKN6458A Cable and Fuse Kit (24" red battery cable with 40 amp fuse). Used with SYNTOR X, X2, X3

TKN8087A 17' negative ground, all modes except 32. Used with SYNTOR X 800 MHz and SYNTOR X high band/UHF

Installation Kits & Accessories

Installation Kits

HLN4111A VHF Installation Kit, used with SYNTOR X high band/UHF, SYNTOR X, X2, X3

Installation Accessories (Trunked SYNTOR X, X2, X3 only)

0784576B02 Trunnion Bracket Only, for Control Head

SYNTOR X Systems 90•S Accessories

High, UHF, and 800 MHz Conventional Dispatch Bands

Programming Requirements

SYSTEMS 90•S accessory kits will only operate with a SYNTOR X radio unit which is equipped with a correctly programmed memory module. Americas Parts Division offers the R1800 series Digital Analyzer Controller. This instrument and its wide variety of application kits and adapter boards enables field programming of many blank code plugs/memory modules that are used in SYNTOR X non-trunked radios and in various other Motorola communications equipment.

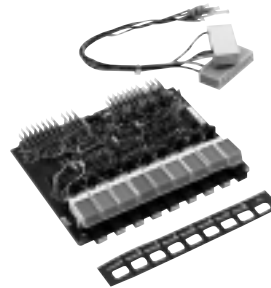
The following blank code plugs/memory modules are available:

SYNTOR X:	Applications Program Kit	Adapter Board	Blank Code Plug/Memory Module Kit
All Modes	RTL4801D	RTL5815A	HLN1125A

SYNTOR X Systems 90•S Modules

Mode-Select Channel-Scan Operation

Channel-Scan allows the operator to monitor alternate channels without missing a call on the priority channel. The Channel-Scan parameters are pre-programmed into the radio memory module and are activated by means of the Mode-Select switch. Channel-Scan operation is greatly simplified since this is the only switch or control that has to be operated. Mode-Select Channel-Scan requires the correct Alternate Control Module (HLN1063A, HLN1065A or HLN1066A) for a complete control unit.



HLN1075A

HLN1075A Mode-Select Channel-Scan, sixteen or thirty-two mode

Antennas

Mobile Antennas



RAB4013ARA

Part Number: **RAB4012ARA**
 Frequency: 30-36 MHz
 Power: 100 watts, maximum
 Gain: Unity, nominal
 VSWR: Less than 1.5:1
 Duty: Heavy
 Impedance: 50 ohms, nominal
 Mounting Kit: Roof Mount with 17' RG58A/U Cable and PL259 Connector

Part Number: **RAB4013ARA**
 Frequency: 36-42 MHz
 Power: 100 watts, maximum
 Gain: Unity, nominal
 VSWR: Less than 1.5:1
 Duty: Heavy
 Impedance: 50 ohms, nominal
 Mounting Kit: Roof Mount with 17' RG58A/U Cable and PL259 Connector

Part Number: **RAB4014ARA**
 Frequency: 42-50 MHz
 Power: 100 watts, maximum
 Gain: Unity, nominal
 VSWR: Less than 1.5:1
 Duty: Heavy
 Impedance: 50 ohms, nominal
 Mounting Kit: Roof Mount with 17' RG58A/U Cable and PL259 Connector

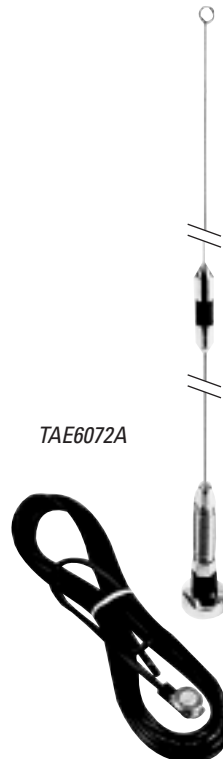
Mobile Antennas



RAD4010ARA

Part Number: **RAD4010ARA**
 Frequency: 136-174 MHz
 Power: 150 watts, maximum
 Gain: 3 dB, nominal
 VSWR: Less than 1.5:1
 Duty: Heavy
 Impedance: 50 ohms, nominal
 Mounting Kit: Roof Mount with 17' RG58A/U Cable and PL259 Connector

Part Number: **RAE4014ARA**
 Frequency: 440-470 MHz
 Power: 150 watts, maximum
 Gain: 5 dB, nominal
 VSWR: Less than 1.5:1
 Duty: Heavy
 Impedance: 50 ohms, nominal
 Mounting Kit: Roof Mount with 17' RG58A/U Cable and PL259 Connector



TAE6072A

Part Number: **TAE6072A**
 Frequency: 450-470 MHz
 Power: 150 watts, maximum
 Gain: 3.5 dB, nominal
 VSWR: Less than 2:1
 Duty: Standard
 Impedance: 50 ohms, nominal
 Mounting Kit: Roof Mount with 14' RG58A/U Cable and PL259 Connector

SYNTOR X Series

Tools, Service Aids

Alignment Tools



RSX4028A

Spanner Tool

Used to remove antenna relay locking nut.

RSX4028A Spanner Tool

Alignment Tool Kits

6684974L01 Tool Kit. Consisting of 6684974L01, UHF Alignment Tool

Service Tools

Screwdrivers

6680344A57 #1 Pozidrive Screwdriver, for Chassis Screws

6680344A58 #2 Pozidrive Screwdriver, for Chassis Screws



6680344A57

Service Aids

Programming Software

Programs new parameters into SYNTOR X Radios as the needs of the user change. Requires R-1801 Digital Analyzer Programmer with expanded RAM.

RTL4801D Software for programming all frequency bands and all channels. Requires adapter, order separately

Programming Software

For trunked SYNTOR X Radios only. Compatible with IBM XT, AT Models 30, 50, 60, and 80. Requires Radio Interface Box and proper cables; order separately.

RVN4069A Programming Software 3-1/2" disk (includes binder and manual)

Radio Test Set Cable

Allows connection of radio metering socket to align transmitter and receiver.

RTK4043A Radio Test Cable



RTK4043A

SYNTOR X Series

Manuals

Manuals

SYNTOR X, X2 and X3 Products

33-50 MHz

6880100W51 SYNTOR X 100W Radio

150-174 MHz

6881111E94 SYNTOR X VHF Test Memory Module

6881060E05 SYNTOR X Systems Radio

406-470 MHz

6880100W45 SYNTOR X 100W

806-870 MHz

6881043E50 35W Trunked SYNTOR X Mobile
T45VBJ5G00AA, AK, T45VBJ5G00AW

6881043E55 10W Trunked SYNTOR X Control Station
L35VBB5174AM, L35RHB517AW

6881047E05 35W Trunked SYNTOR X2 Mobile
T45RHJ5G00AK, AW T45VSJ5G00AA, AK

6881043E50 Instruction Manual Package for Trunked SYNTOR
X2 Mobile with W308 Option

6881060E10 15/35W Trunked SYNTOR X3 Mobile
T35/45VUJ5G00AA, AK (Supplement to
6881047E05)

6881066E80 Trunked SYNTOR X SMARTNET/Dual Operation
806-870 MHz T45VBJ5G11AK

6881110E83 Trunked SYNTOR X Mobile Owner's Manual

6881110E87 SYNTOR X SYSTEMS 90•S Pushbutton Control
Head TCN1350A, 51A, 52A, TLN2267A, 68A

6881110E89 SYNTOR X SYSTEMS 90•S Channel-Scan
TLN2256A-62A

6881110E93 SYNTOR X SYSTEMS 90•S Accessory Group
Installation Instructions

6881111E70 Trunked Communications System SYNTOR X, X2,
and X3 FM Radio Owner's Manual

Manuals

Accessories

6880101W90 Systems 9000 Security Housing Operator's Card

6881102E60 Handset Hang-up Units

6880100W43 Handheld Control Head Radios

6880100W44 Option W388AC DES for Handheld Control
Head Radios

6880100W53 HLN1125A Field Retrofit EEPROM Module

6880100W72 Operating Instruction Card for Handheld Control
Head with Operator Selectable Scan and DPV

6880100W79 Broadband Antenna Match

6880100W86 Diplex Antenna Manual

6880100W89 Supplement to Trunked SMARTNET Dual
Operation FM Two-Way Radios

6880102W04 SYNTOR X 9000 UHF Accessories Supplement

6880102W05 SYNTOR X 9000 Highband Accessories
Supplement

6880101W10 Systems 9000 Siren/PA for SYNTOR X 9000

6880101W13 Systems 9000 Auxiliary Switch Panel

6880101W15 Systems 9000 MDC-600 Option

6880101W20 Systems 9000 Noise Cancelling Microphone

6880101W21 Systems 9000 DTMF/Telephone Interconnect

6880103W09 Systems 9000 Direct Entry Keyboard

6880101W72 SYNTOR X 9000E Dual Operations Radio
Operator's Manual

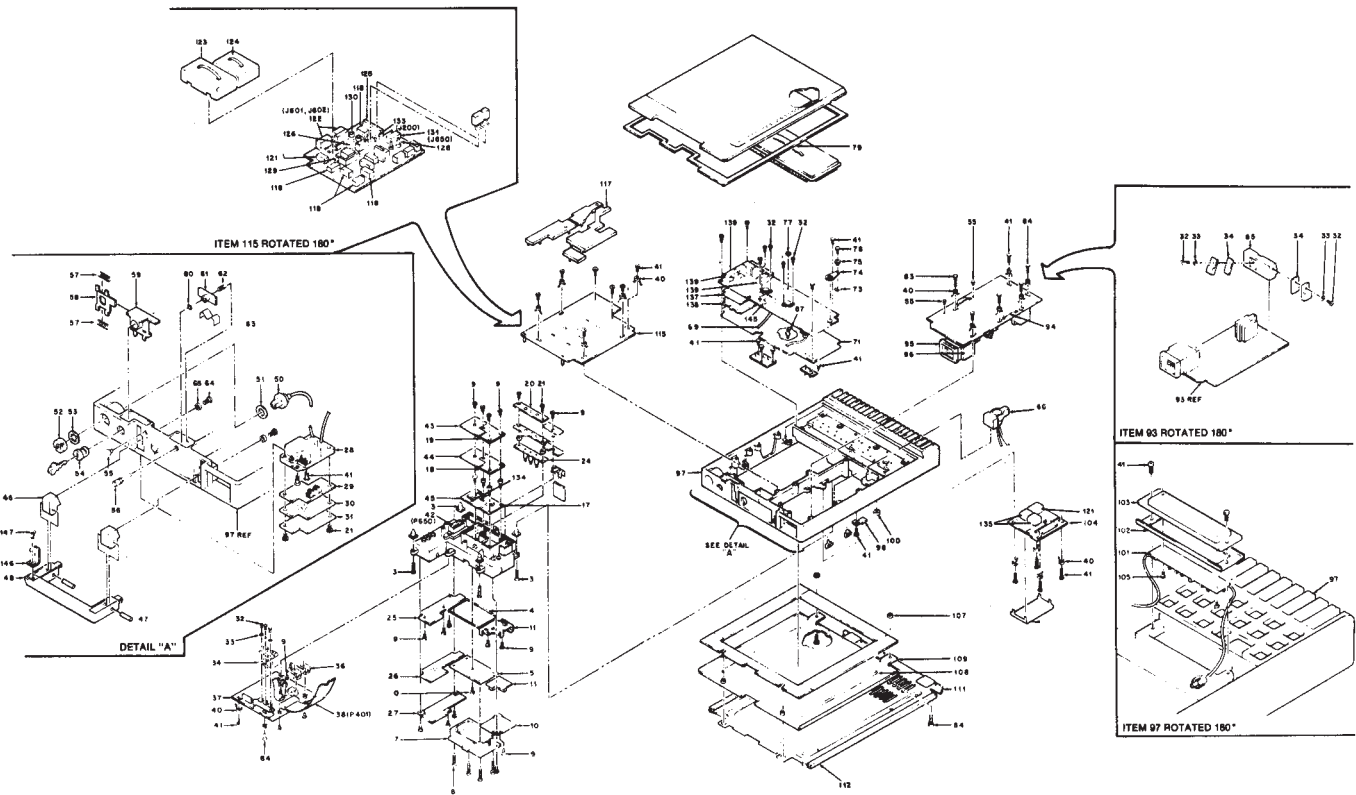
6880101W73 SYNTOR X 9000E Quick Reference Card

6880101W75 Systems 9000 Security Housing

6880101W97 Systems 9000 Option Expansion Housing

SYNTOR X 9000 Series

Mobile Accessories



Replacement parts are no longer available

SYNTOR X 9000 Series

Parts List

REF.
NO. PART NO. DESCRIPTION

REF.
NO. PART NO. DESCRIPTION

***Cancelled Product SYNTOR X 9000:
Aftermarket support criteria has
been met for spare parts. Items are
no longer available.***



SYNTOR X 9000 Series

Mobile Accessories

Microphones, Handsets

Mobile Microphones

All microphone housings are constructed of durable, shock-proof, high impact plastic. The noise cancelling microphone helps to reduce ambient noise from being transmitted.

HMN1061A Standard Palm Microphone

HMN1032B Touch Code Microphone

HMN4013A Noise Cancelling Microphone



HMN1032B

Handsets

Ideal for those who prefer the convenience and privacy of a telephone-type handset.

HLN1220B Handset with Hang-Up

Speakers

All speakers are enclosed in a strong plastic housing and include their own trunion bracket for mounting on firewall or dashboard.

HSN4018B Standard 15W Speaker, with 8-foot cable



HSN4018B

Cable Kits

HKN4241A Negative Ground, 17 ft., 32 Mode

Siren Loudspeakers

Weather resistant siren loudspeakers are specifically designed for electric siren, public address and high intelligibility communications. They are equally suitable for mobile or stationary installations.

Aerodynamically styled horns can be mounted on roof, lightbar or

fender. Rated at 100 watts these speakers are ruggedly constructed of all metal. Frequency response is rated at 375-8000 Hz.



TDN6251A

TDN6251A Siren Loudspeaker, 11 ohm, Chrome

TDN6254A Siren Loudspeaker, 11 ohm, Gray Epoxy Finish

Wide Angle Siren Speaker

This 100 watt wide angle siren loudspeaker can be used in many of the same applications as the TDN6251A and TDN6254A. Whether roof, lightbar or fender mounted, it is specifically designed to reduce wind resistance and enhance aesthetic appearance of vehicle.

TDN6252A Wide Angle Siren Speaker, 100 watt



TDN6254A

SYNTOR X 9000 Series

Accessories, Antennas

Siren Loudspeakers



TDN6253A

Underhood Siren Loudspeaker

Compact rectangular weather resistant electronic siren loudspeaker is ideal for unmarked vehicles. Equipped with a durable metal horn, this speaker can be mounted behind grill, fender well, or under hood. Speaker power rating is 100 watts.

TDN6253A Underhood Siren Loudspeaker, 11 ohm, Gray Epoxy Finish

Auxiliary Switch Panel

Supplemental bank of eight switches used to control any of the electrical functions in the vehicle.

HLN1224B Auxiliary Switch Panel

Conventional Accessories

Spare Accessories Groups

Provides all radio accessories including mounting plate. (Excludes antenna and manuals)

HKN4241A Radio Power Cable

Battery Cable Adapter



6680388A13

6680388A13 Side Mount Battery Cable Adapter

Mobile Antennas



RAD4010ARA

Part Number: **RAD4010ARA**
 Frequency: 136-174 MHz
 Power: 150 watts, maximum
 Gain: 3dB, nominal
 VSWR: Less than 1.5:1
 Duty: Heavy
 Impedance: 50 ohms, nominal
 Mounting Kit: Roof Mount with 17' RG58A/U Cable and PL259 Connector



TAE6072A

Part Number: **TAE6072A**
 Frequency: 450-470 MHz
 Power: 150 watts, maximum
 Gain: 3 dB, nominal
 VSWR: Less than 2:1
 Duty: Standard
 Impedance: 50 ohms, nominal
 Mounting Kit: Roof Mount with 14' RG58A/U Cable and PL259 Connector



RAB4014ARA

Part Number: **RAE4014ARA**
 Frequency: 445-470 MHz
 Power: 150 watts, maximum
 Gain: 5 dB, nominal
 VSWR: Less than 1.5:1
 Duty: Heavy
 Impedance: 50 ohms, nominal
 Mounting Kit: Roof Mount with 17' RG58A/U Cable and PL259 Connector

SYNTOR X 9000 Series

Service Tools, Aids

Service Tools

HLN4262A Alignment Kit, consisting of 6684974L01, Alignment Tool

6680371B14 Chip Carrier Extraction Tool for MDC-1200 (required to change software)

Torque Screwdriver



RSX4043A

Measures the amount of torque being applied. Easy to operate. Built-in magnified dial. Calibrations clearly marked. Hex Drive 1/4". Weighs only 8 oz. Grip diameter 1-3/8". Length less bit, 7-1/2". Graduation 2. in lbs. and .2 NM. Range 2-36 in lbs.

RSX4043A Adjustable Torque Screwdriver

The following bits are recommended for use with the RSX4043A Torque Screwdriver

6680387A74 Torx Bit T10 for Chassis Screws

6680387A75 Torx Bit T15 for Chassis Screws

6680387A76 Torx Bit T20 for Chassis/Handle Screw

Service Aids

Radio Interface Box

Links radio programming cable and computer interface together. Provides required voltage shift to enable communications between radio and computer. Requires computer interface cable, programming cable, and a 9 volt snap type battery (6082728J01) or wall mount power supply, order separately.



RLN4008E

RLN4008E Radio Interface Box (RIB)

Programming Guide

Required to program radio, acts as a link between RIB and radio.

0180353A75 Programming Cable

Computer Interface Cable

Used to connect computer's serial adapter to Radio Interface Box.

3080369B71 Cable, RIB to 25 pin D

3080369B72 Cable, RIB to 9 pin D

SYNTOR X 9000 Series

Service Aids, Manuals

Service Aids



0180357A57

Wall Mounted Power Supply

Used to supply power to Radio Interface Box.

0180357A57 Wall Mounted Power Supply (110 volts)

0180358A56 Wall Mounted Power Supply (220 volts)

Programming Software

Programmer/Tuner Software for SYSTEMS 9000 Radios.

Conventional

RVN4007E 3-1/2" Diskette. Package includes binder, manual and software

Dual

RVN4102A 3-1/2" Diskette. Package includes binder, manual and software

Manuals

SYNTOR 9000

6880100W90	Operator's Manual
6880100W91	Operator's Card
6880100W92	Hand Held Control Head with Optional Select Scan Card
6880100W95	Operator's Manual
6880100W96	Quick Reference Card
6880100W43	Hand Held Control Head Radios
6880100W44	Optional W388AC DES for Hand Held Control Head Radios
6880100W53	NLN1125A Field Retrofit EEPROM Module
6880100W72	Operating Instruction Card for Hand Held Control Head with Operator Selectable Scan and DPV
6880100W73	Operating Instruction Card for Hand Held Control Head with Select Scan
6880100W79	Broadband Antenna Match
6880100W86	Diplex Antenna Manual

Manuals

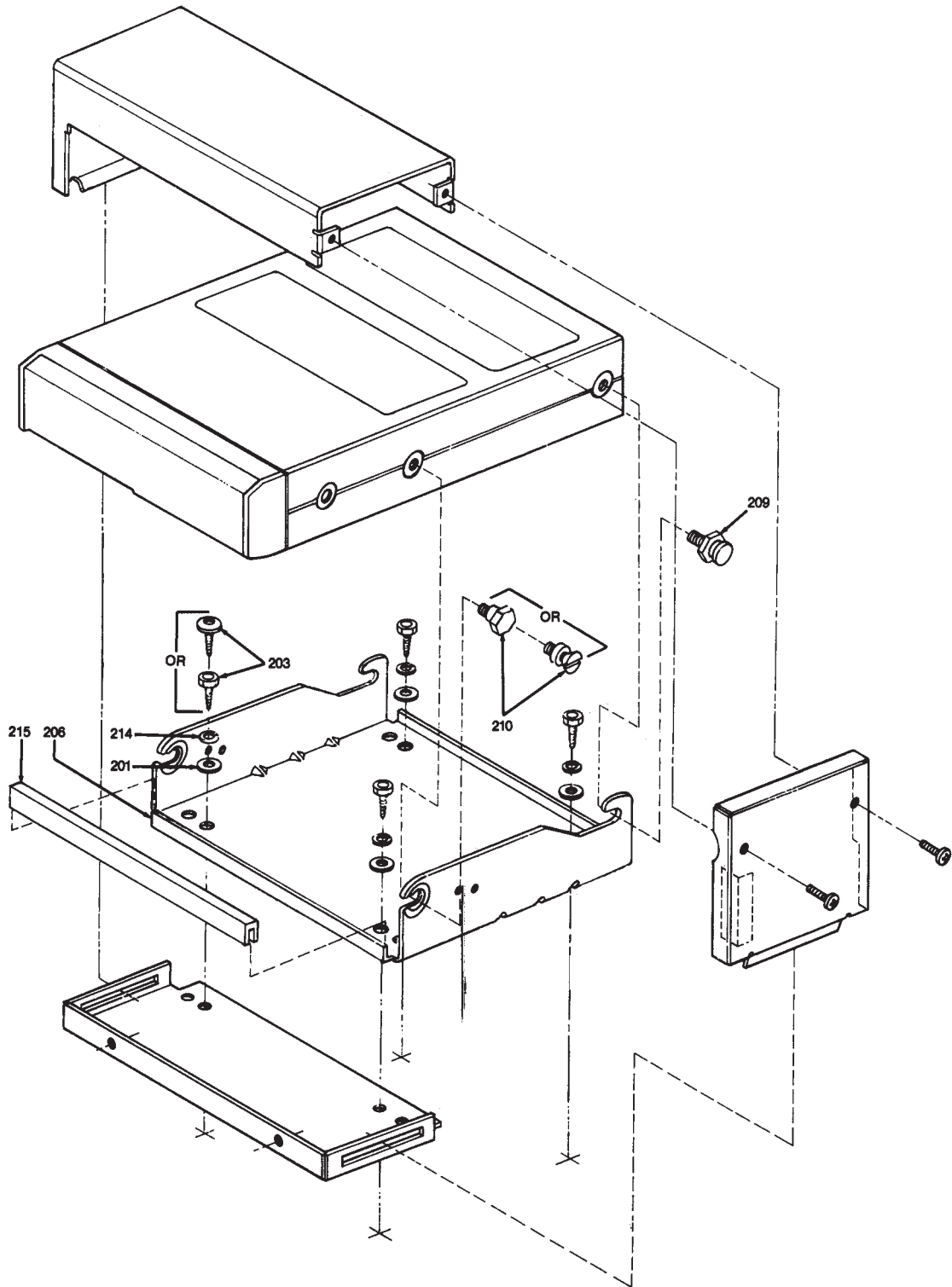
6880100W89	Supplement to Trunked SMARTNET Dual Operation FM Two-Way Radios
6880102W04	SYNTOR X 9000 Accessories Supplement
6880101W10	SYSTEMS 9000 Siren/PA for SYNTOR X 9000
6880101W13	SYSTEMS 9000 Auxiliary Switch Panel
6880101W15	SYSTEMS 9000 MDC-600 Option
6880101W20	SYSTEMS 9000 Noise Cancelling Microphone
6880101W21	SYSTEMS 9000 DTMF/Telephone Interconnect
6880103W09	SYSTEMS 9000 Direct Entry Keyboard
6880101W72	SYNTOR X 9000E Dual Operations Operator's Manual
6880101W73	SYNTOR X 9000E Quick Reference Card
6880101W75	SYSTEMS 9000 Security Housing
6880101W77	SYSTEMS 9000 Physical Security Bypass
6880101W90	SYSTEMS 9000 Security Housing Operator's Card
6880101W95	SYNTOR X 9000 Low Band
6881102E60	Handset Hang-Up Units
6880101W97	SYSTEMS 9000 Option Expansion Housing

MCX100 Series**Parts List**

REF. NO.	PART NO.	DESCRIPTION	REF. NO.	PART NO.	DESCRIPTION
-------------	----------	-------------	-------------	----------	-------------

**Cancelled Product MCX90/MCX100:
Aftermarket support criteria has
been met for spare parts. Items are
no longer available.**

Parts List



Replacement parts are no longer available

MCX100 Series

Parts List

REF.
NO. PART NO. DESCRIPTION

REF.
NO. PART NO. DESCRIPTION

***Cancelled Product MCX90/MCX100:
Aftermarket support criteria has
been met for spare parts. Items are
no longer available.***

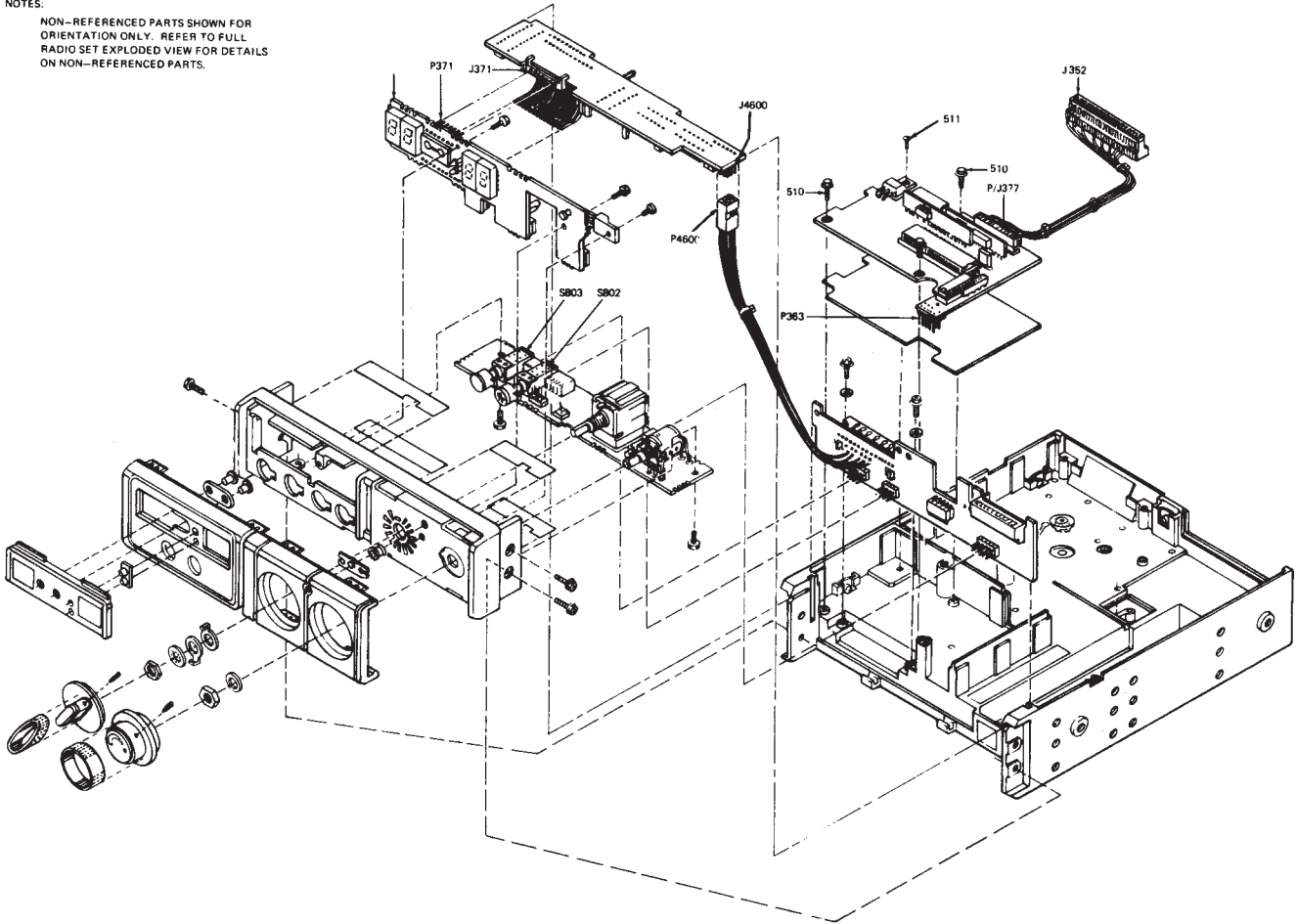


MCX100 Series

Parts List

NOTES:

NON-REFERENCED PARTS SHOWN FOR ORIENTATION ONLY. REFER TO FULL RADIO SET EXPLODED VIEW FOR DETAILS ON NON-REFERENCED PARTS.



Replacement parts are no longer available

MCX100 Radio—Selctable PL/DPL/SINGLE Tone Radio Set

*Cancelled Product MCX90/MCX100:
Aftermarket support criteria has
been met for spare parts. Items are
no longer available.*

MCX100 Series

Accessories, Antennas

Microphone Hang-up Clip

0100851093 Hang-Up Clip, Replacement

Power Supplies



HPN4001B

Power Supplies are available to power mobile models being used as base stations. Power cables must be ordered separately.

HPN4001B Power Supply for 25/30 watt Radios. 120/220/240 Vac, 50-60 Hz, 12 amp

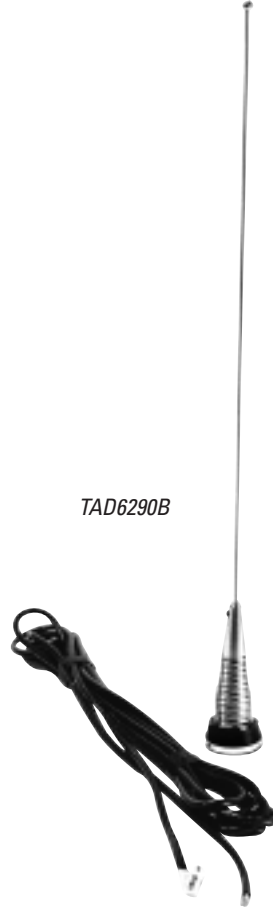
Mounting Bracket

MBTRN4677A Hinged Mounting Bracket

Antennas

Part Number: **TAD6290B**
Frequency: 150-174 MHz, Broadband
Power: 150 watts, maximum
Gain: Unity
VSWR: 2:1
Bandwidth: 24 MHz
Impedance: 50 ohms, nominal
Mounting Kit: Roof Mount with 16' RG58A/U Cable and PL259 Connector

TAD6290B



MCX100 Series**Manuals****Manuals****136-174 MHz**

- 6802900A45** MCX100 Railroad Radio Programming Guide
- 6881045E20** MCX100 6/10W and 25/30W Mobile Radio (Service Information) MBD/MTB23, 43 CUA Series, MBD/MBT13, 23, 33 EMA Series
- 6881045E25** MCX100 6/10 and 25/30W Mobile Radio Theory of Operation and Maintenance (Supplement to 6881045E20) MBD/MBT23, 43, CUA Series, MBD/MBT13, 23, 33 EMA Series
- 6881047E40** MCX100 and Select 5 Signalling 6, 10, 25, 30W Mobile Radio (Supplement to 6881045E20) MBD/MBT13, 23, 33 EMA Series MBD/MBT23, 43, CUA Series
- 6881047E45** MCX100 Channel-Scan Monitoring (Supplement to 6881045E20)
- 6881110E80** MCX100 Owner's Manual (International English Version)
- 6881112E36** MCX100 Channel Scan Monitor Operator's Guide

Manuals**136-174, 440-470 MHz**

- 6881065E65** MCX100 10W and 25W Motorcycle Radio MBM23PSA/MBM33PSA Series—136-174 MHz
- 6881115E07** MCX100 Motorcycle FM Radio 10W External Audio Amplifier Option B227 (Model VLN1060A)

403-470 MHz

- 6881045E30** MCX100 6/10W and 25/30W Mobile Radio MBD/MBT14, 24, 34, 44 EMA Series

MCX90 Series



Microphone Hang-up Clip

0100851093 Hang-Up Clip, Replacement



0100851093

Mounting Bracket

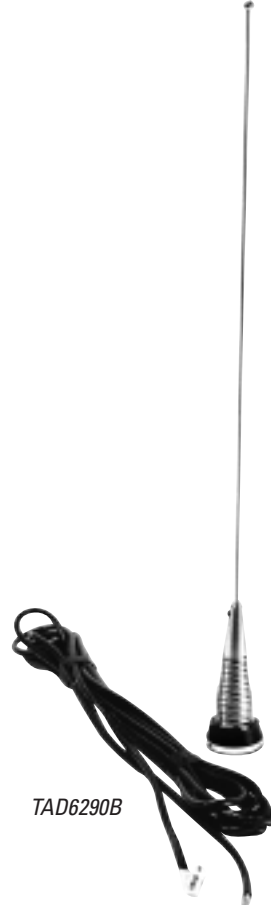
MBTRN4677A Hinged Mounting Bracket

Accessories, Antennas, Manuals



Antennas

Part Number: **TAD6290B**
Frequency: 150-174 MHz,
Power: 150 watts,
maximum
Gain: Unity
VSWR: 2:1
Bandwidth: 24 MHz
Impedance: 50 ohms,
nominal
Mounting Kit: Roof Mount
with 16'
RG58A/U Cable and
PL259 Connector



TAD6290B

Manuals

6802901A45 Operator's Manual V4090A

MDC Signaling

Manuals

Service Manuals

- 6881035C10** Service and Operation Manual. MDC600/MDC1200 and Modat Signaling Options for MT500
- 6881030C65** Service and Operation Manual. MDC600/MDC1200 Modat and Select V Signaling Options for MS300S
- 6880200W07** Installation Instructions for Radios Compatible with MDC600 and MVS 20. SYNTOR Systems 90S Accessory Group
- 6880100W15** MDC600 Prom Programming. Model H1013A
- 6880100W36** Service Manual. Micor Interface Board for MVS20 and MDC600 Model HLN4703A
- 6880100W39** Service and Operation Manual. MDC600 Universal Field Option Models H1032A, H1033A and H1080A

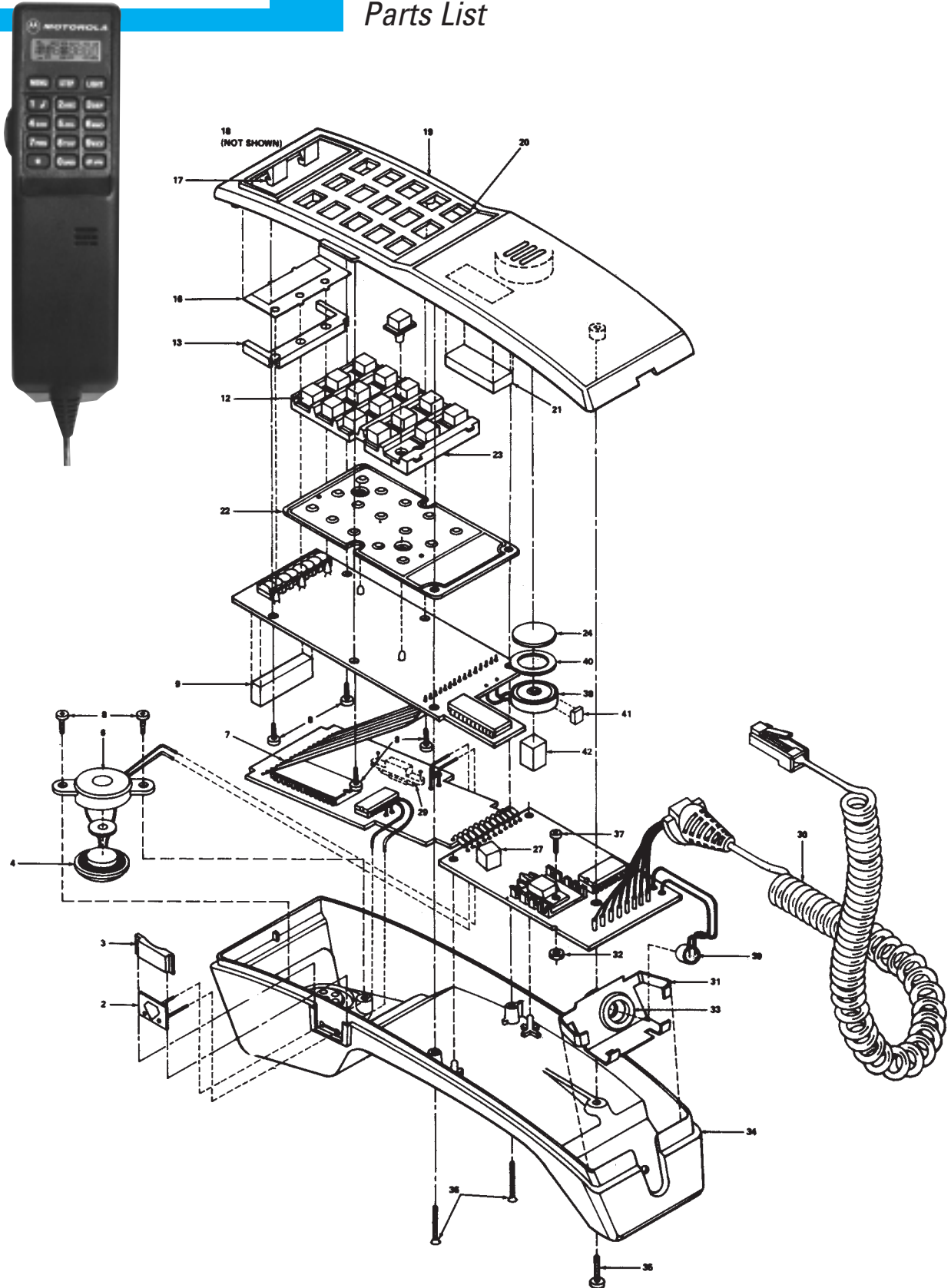
Service Manuals

- 6880100W10** Service and Operation Manual. MDC600 Signaling System for Systems 90 Options. Models HLN1068A, HLN1069A, HLN1077A, HLN1093A, H1014A, H1016A, H1025A, H1017A, HLN1094A, HLN1095A, HLN1070A, HLN1071A, HLN1121A, HLN1122A
- 6880100W20** Service and Operation Manual. MDC600 Console. Models H1006A, H1008A, H1010A, H1011A, H1012A



PRIVACY PLUS 1000 Series

Parts List



Replacement parts are no longer available

PRIVACY PLUS 1000 Series

Parts List

REF.
NO. PART NO. DESCRIPTION

REF.
NO. PART NO. DESCRIPTION

***Cancelled Product Privacy Plus 1000:
Aftermarket support criteria has been
met for spare parts. Items are no
longer available.***



PRIVACY PLUS 1000 Series

Accessories, Antennas

Alternator Whine Filter



TLN5277E

Filter enhances radio clarity by eliminating alternator whine noise.

TLN5277E Alternator Whine Filter

Mounting Hardware

Control Unit Mounting Hardware

Provides enhanced accessibility for both user and passenger.

TRN9524A Standard Hinge Mount

Antennas



RRA4915B

Part Number: **RRA4915B**
Frequency: 806-900 MHz
Power: 150 watts, maximum
Gain: 3dB, nominal
VSWR: Less than 1.5:1
Impedance: 50 ohms, nominal
Mounting Kit: Roof Mount with 14' RG58A/U Cable and TNC Connector

Part Number: **RRA4917B**
Frequency: 806-900 MHz
Power: 150 watts, maximum
Gain: 3 dB, nominal
VSWR: Less than 1.5:1
Impedance: 50 ohms, nominal
Mounting Kit: Roof Mount with 14' Low Loss Cable and TNC Connector

Antennas



RRA4922B

Part Number: **RRA4922B**
Frequency: 806-900 MHz
Power: 150 watts, maximum
Gain: 3dB, nominal
VSWR: Less than 1.5:1
Impedance: 50 ohms, nominal
Mounting Kit: Trunk Mount with 14' RG58A/U Cable and TNC Connector

Part Number: **RRA4925B**
Frequency: 806-900 MHz
Power: 150 watts, maximum
Gain: 3dB, nominal
VSWR: Less than 1.5:1
Impedance: 50 ohms, nominal
Mounting Kit: Trunk Mount with 17' Low Loss Cable and TNC Connector

PRIVACY PLUS 1000 Series

Service Tools, Aids, Manuals

Alignment Tool

6682977K01 Alignment Tool



6682977K01

Service Aids

Programming Software

This software enables you to add or reprogram frequencies as your requirements change. Compatible with IBM XT, AT, Model 30, 50, 60 and 80. Requires prom programmer R-1801A/M or Data I/O Model 29B and proper cables; order separately.

RVN4061C Programming Software, 5-1/4" and 3-1/2" Diskettes. Includes storage box and manual.

Programming Cables

Allows programmer to be connected to RS-232 port of IBM PC type computers.

0180357A56 Programming Cable for Data I/O Model 29B Programmer

Manuals

6881064E20

PRIVACY PLUS 1000 Radiotelephone
T35JSA5G05AH, -BH, -CH Instruction Manual

6881115E62

PRIVACY PLUS 1000 Radiophone User's Manual

6881115E93

PRIVACY PLUS 1000 Radiophone Reference Card

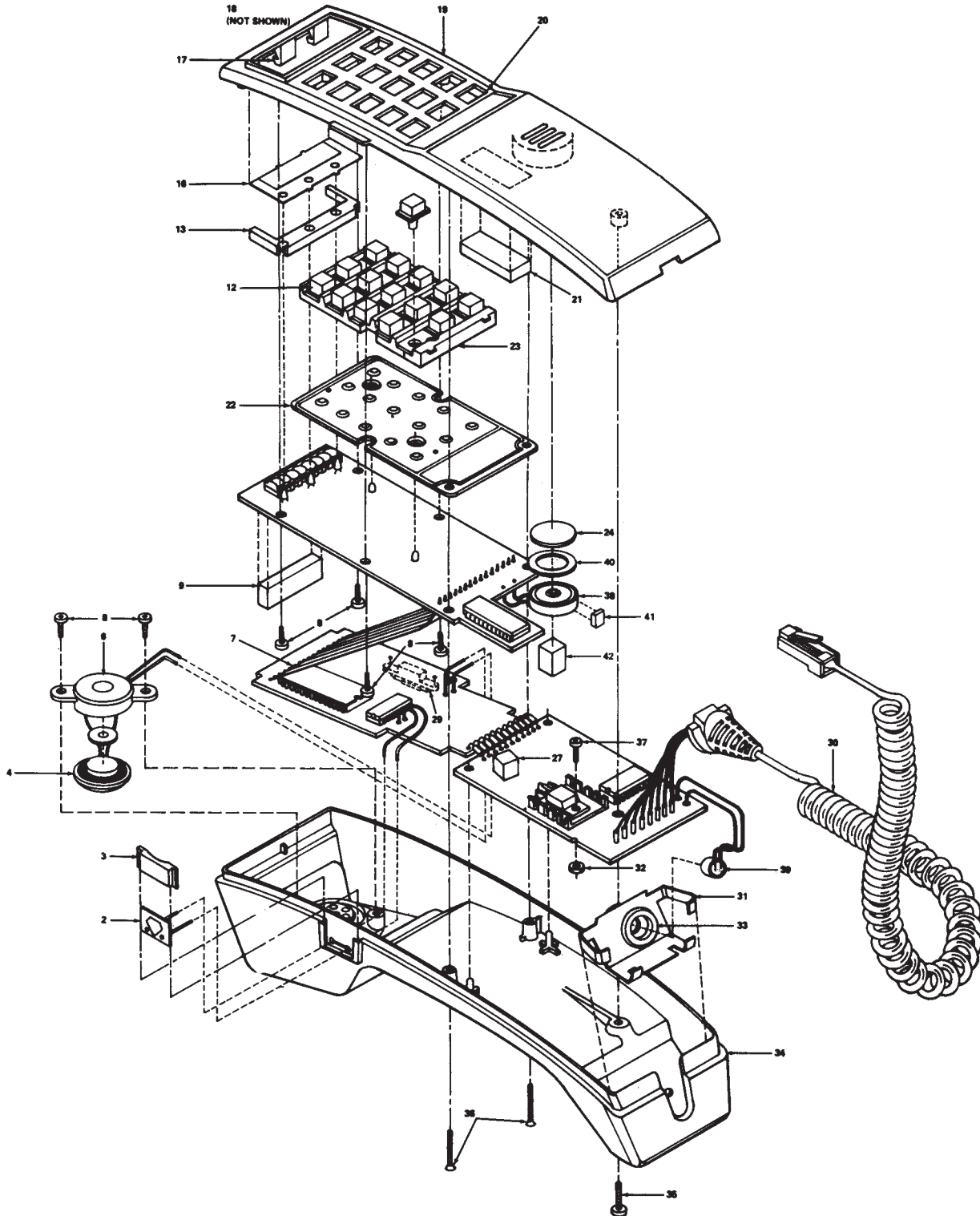
6881120E82

PRIVACY PLUS 1000 User's Manual

6881120E83

PRIVACY PLUS 1000 Reference Card

Parts List



Replacement parts are no longer available

PPRIVACY PLUS 500 Series

Parts List

REF.
NO. PART NO. DESCRIPTION

REF.
NO. PART NO. DESCRIPTION

***Cancelled Product Privacy Plus 500:
Aftermarket support criteria has been
met for spare parts. Items are no
longer available.***



PRIVACY PLUS 500 Series

Accessories, Antennas

Alternator Whine Filter

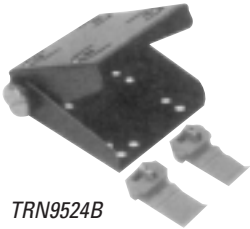


TLN5277E

Filter enhances radio clarity by eliminating alternator whine noise.

TLN5277E Alternator Whine Filter

Mounting Hardware



TRN9524B

Control Unit Mounting Hardware

Provides enhanced accessibility for both user and passenger.

TRN9524B Standard Hinge Mount

Antennas



RRA4915B

RRA4917B

Part Number: **RRA4915B**
Frequency: 806-900 MHz
Power: 150 watts, maximum
Gain: 3dB, nominal
VSWR: Less than 1.5:1
Impedance: 50 ohms, nominal
Mounting Kit: Roof Mount with 14' RG58A/U Cable and TNC Connector

Part Number: **RRA4917B**
Frequency: 806-900 MHz
Power: 150 watts, maximum
Gain: 3 dB, nominal
VSWR: Less than 1.5:1
Impedance: 50 ohms, nominal
Mounting Kit: Roof Mount with 14' Low Loss Cable and TNC Connector

PRIVACY PLUS 500 Series

Antennas, Tools, Aids, Manuals

Antennas

Part Number: **RRA4922B**
 Frequency: 806-900 MHz
 Power: 150 watts, maximum
 Gain: 3dB, nominal
 VSWR: Less than 1.5:1
 Impedance: 50 ohm, nominal
 Mounting Kit: Trunk Mount with 14' RG58A/U Cable and TNC Connector



Part Number: **RRA4925B**
 Frequency: 806-900 MHz
 Power: 150 watts, maximum
 Gain: 3dB, nominal
 VSWR: Less than 1.5:1
 Impedance: 50 ohm, nominal
 Mounting Kit: Trunk Mount with 14' Low Loss Cable and TNC Connector

Service Aids

Programming Software

This software enables you to add or reprogram frequencies as your requirements change. Compatible with IBM XT, AT, Model 30, 50, 60 and 80. Requires prom programmer R-1801A/M or Data I/O Model 29B and proper cables; order separately.

RVN4061C Programming Software, 5-1/4" and 3-1/2" Diskettes. Includes storage box and manual

Programming Cables

Allows programmer to be connected to RS-232 port of IBM PC type computers.

0180357A56 Programming Cable for Data I/O Model 29B Programmer

Manuals

6881072E05 PRIVACY PLUS 500 Mobilephone T35JSA5G16 Instruction Manual

6881120E84 PRIVACY PLUS 500 User's Manual

6881120E85 PRIVACY PLUS 500 Reference Card

Alignment Tool

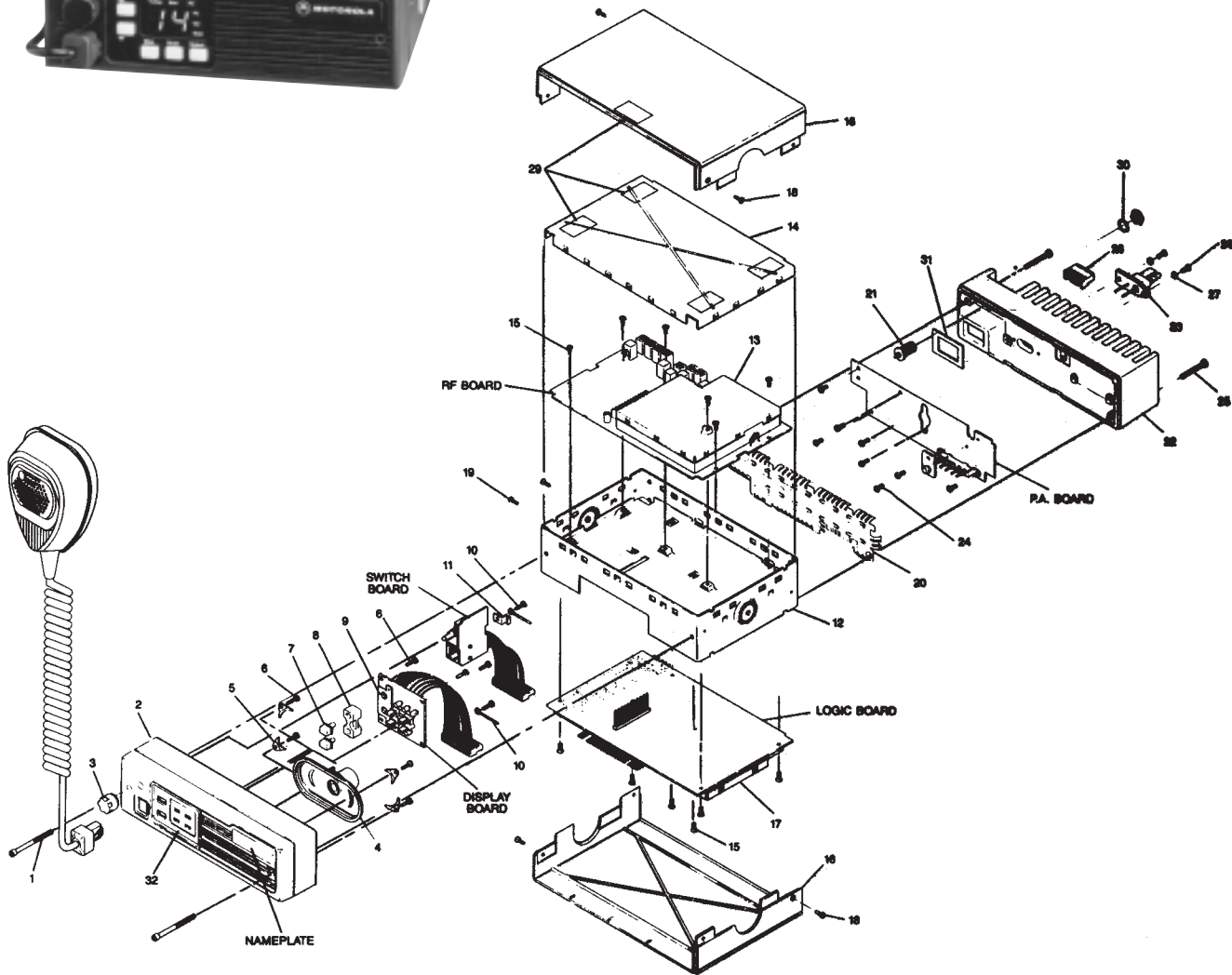
6682977K01 Alignment Tool



6682977K01

M100 Series

Parts List



Replacement parts are no longer available

M100 Series**Parts List**

REF. NO.	PART NO.	DESCRIPTION	REF. NO.	PART NO.	DESCRIPTION
-------------	----------	-------------	-------------	----------	-------------

**Cancelled Product M100:
Aftermarket support criteria has
been met for spare parts. Items
are no longer available.**

M100 Series

Mobile Accessories

Microphones



HMN1035C

Either a standard palm or DTMF palm microphone can be used with the RADIUS M100. These heavy duty palm microphones can stand up to the toughest abuse. The DTMF microphone is not compatible with the control station option.

HMN1035C Full Size Palm Microphone

HMN1037B DTMF Microphone

HMN1056D Compact Palm Microphone with Coil Cord

HMN3091B Compact Palm Microphone without Coil Cord

HLN9559A Coil Cord for Compact Microphone

Hang-up Clip

HLN4606A Heavy Duty Microphone Hang-Up Clip

HLN9073B Standard Microphone Hang-Up Clip

Speaker



HSN4019B

HSN4019B External Speaker, 5 watt

Mounting Trays

HLN5189A Non-Locking Mounting Bracket

HLN5226B Extra Stability Mount, Recommended for High Vibration Environments, Can Only Be Used with Non-Locking Mounting Bracket



HLN4426A

Cables

HKN4137A Mobile Power Cable

M100 Series

Mobile Accessories

Battery Cable Adapter

6680388A13 Side Mount Battery
Cable Adapter



6680388A13

Desk Microphone

The desk top microphone is
ideal when radio is utilized as a
base station.

HMN1038E Desk Microphone



HMN1038E

Antenna Adapter



5880367B22 Mini-UHF Antenna Adapter

2880376E84 Mini-UHF Connector

5880367B22

Base Station Tray

HLN5292BR Base Station Tray for Desk Top Operation

Power Supply

Enables mobile radio to be connected for base station operation.
Power cables must be ordered separately.

HPN4002B Power Supply, 10 amp, 120/240 Vac, 50/60 Hz
(15 and 25 watt models)

HPN4001B Power Supply, 12 amp, 120/240 Vac (35 and
40 watt models)

HKN4139A Power Cable, 10 feet

Antennas

Antennas



Part Number: **HAD4006A**
Frequency: 136-144 MHz
Power: 150 watts, maximum
Gain: Unity, nominal
VSWR: Less than 1.5:1
Impedance: 50 ohms, nominal
Mounting Kit: Roof Mount with 14' RG58A/U Cable and Mini-UHF Connector

Part Number: **HAD4007A**
Frequency: 144-152 MHz
Power: 150 watts, maximum
Gain: Unity, nominal
VSWR: Less than 1.5:1
Impedance: 50 ohms, nominal
Mounting Kit: Roof Mount with 14' RG58A/U Cable and Mini-UHF Connector

Antennas



Part Number: **HAD4009A**
Frequency: 162-174 MHz
Power: 150 watts, maximum
Gain: Unity, nominal
VSWR: Less than 1.5:1
Impedance: 50 ohms, nominal
Mounting Kit: Roof Mount with 14' RG58A/U Cable and Mini-UHF Connector

Part Number: **HAE4003A**
Frequency: 430-450 MHz
Power: 150 watts, maximum
Gain: Unity, nominal
VSWR: Less than 1.5:1
Impedance: 50 ohms, nominal
Mounting Kit: Roof Mount with 14' RG58A/U Cable and Mini-UHF Connector

M100 Series

Antennas

Antennas



HAE4007A

Part Number: **HAE4007A**
 Frequency: 430-450 MHz
 Power: 150 watts, maximum
 Gain: Unity, nominal
 VSWR: Less than 1.5:1
 Impedance: 50 ohms, nominal
 Mounting Kit: Trunk Lid with 17' RG58A/U Cable and Mini-UHF Connector



RAD4010ARB

Part Number: **RAD4010ARB**
 Frequency: 136-174 MHz
 Power: 150 watts, maximum
 Gain: 3dB, nominal
 VSWR: Less than 1.5:1
 Duty: Heavy
 Impedance: 50 ohms, nominal
 Mounting Kit: Roof Mount with 17' RG58A/U Cable and Mini-UHF Connector

Antennas

Part Number: **RAD4010ATB**
 Frequency: 136-174 MHz
 Power: 150 watts, maximum
 Gain: 3dB, nominal
 VSWR: Less than 1.5:1
 Duty: Heavy
 Impedance: 50 ohms, nominal
 Mounting Kit: Trunk Lid with 17' RG58A/U Cable and Mini-UHF Connector

Part Number: **RAE4014ARB**
 Frequency: 445-470 MHz
 Power: 150 watts, maximum
 Gain: 5dB, nominal
 VSWR: Less than 1.5:1
 Impedance: 50 ohms, nominal
 Mounting Kit: Roof Mount with 17' RG58A/U Cable and Mini-UHF Connector

RAE4014ARB



M100 Series

Service Tools, Aids

Service Tools

6680388A26 Crimping Tool,
Required for Mini-UHF
RF Connector



6680388A26

Service Aids

Radio Interface Box (RIB)

Links radio programming cable and computer interface together. Provides required voltage shift to enable communications between radio and computer. Requires computer interface cable, radio programming cable, and a 9 volt snap type battery (6082728J01) or wall mount power supply, order separately.



RLN4008E

RLN4008E Radio Interface Box

Service Aids

Programming Software

Utilizing your personal computer, this software enables you to add or reprogram frequencies as your requirements change. Compatible with IBM XT, AT, Model 30, 50, 60, and 80. Requires Radio Interface Box and appropriate cables; must be ordered separately.

RVN4135A This package includes six programming software disks and three manuals packaged in a single binder for the following radios:

Radio	Part Number	Disk Size	Manual
M100/M200 Series	HVN9173J	3.5"	M100/M200 Series
M110	HVN9626A	3.5" and 5.25"	
M400	HVN9774E	3.5"	M400
R100	HVN9177A	3.5" and 5.25"	R100

M100 Series

Service Aids, Manuals

Service Aids



0180357A57

Wall Mounted Power Supply

Used to supply power to the Radio Interface Box.

0180357A57 Wall Mounted Power Supply (110 volts)

0180358A56 Wall Mounted Power Supply (220 volts)

Computer Interface Cable

Used to connect computer's serial port to Radio Interface Box.

3080369B71 Computer Interface Cable. RIB to 25 pin D

3080369B72 Computer Interface Cable. RIB to 9 pin D

VCO Test Cable

Provides Interface between RF board and test equipment.

3080373B41 VCO Test Cable

Service Aids

Program/Test Cable

Required to program radio, acts as a link between Radio Interface Box and radio.

3080070N01 Program/Test Cable. Replaces HK-9217

Test Adapter

Used to manually key radio. Must be attached to Program/Test Cable 3080070N01.

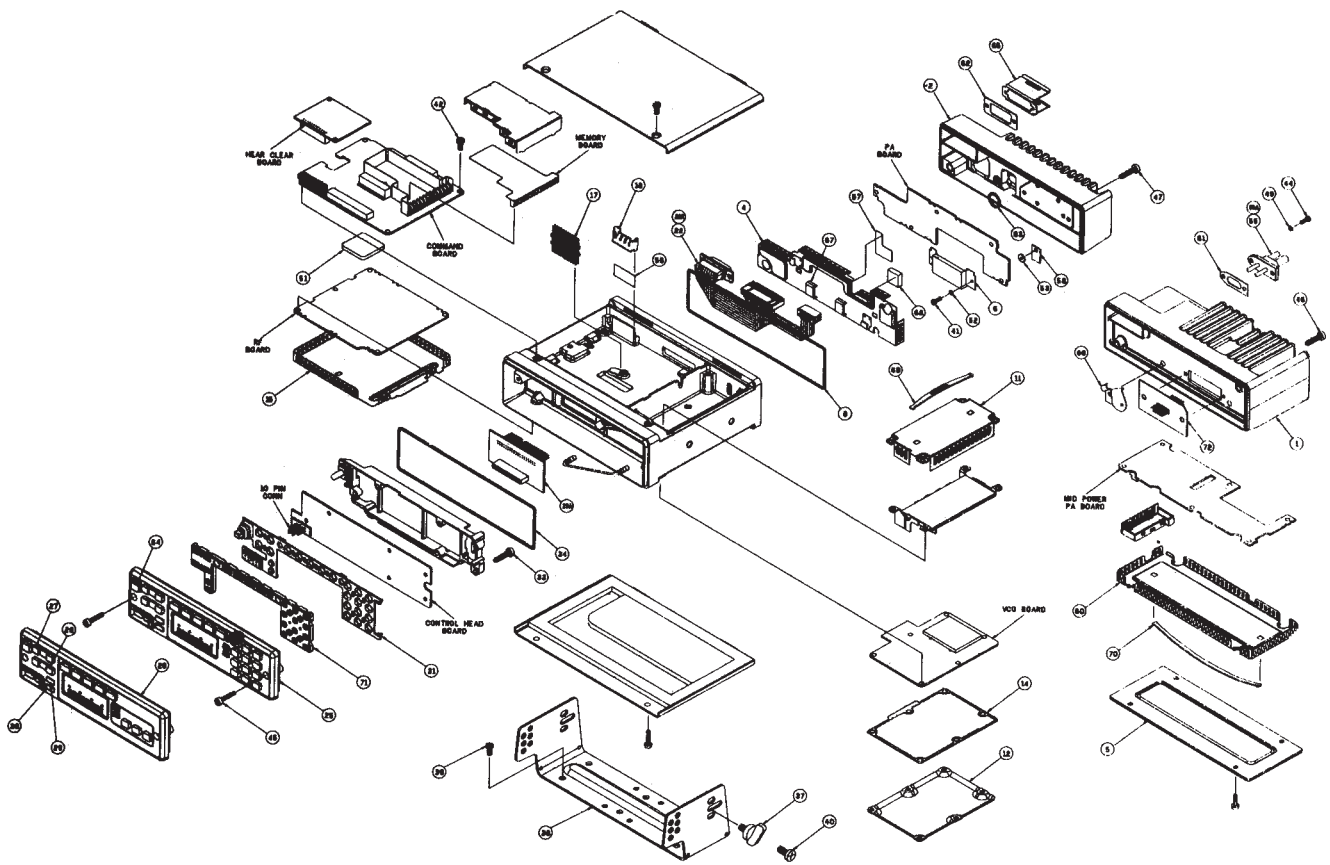
RLN4137A Test Adaptor

Manuals

- | | |
|-------------------|---------------------------|
| 6880101W58 | Service Manual UHF/VHF |
| 6880900Z13 | RADIUS Owner's Manual |
| 6880101W59 | Operator's Manual |
| 6880900Z10 | Quick-Call Reference Card |

SPECTRA Series

Parts List



SPECTRA Series

Parts List

REF. NO.	PART NO.	DESCRIPTION	REF. NO.	PART NO.	DESCRIPTION
1	2680010M02	Heatsink, 30-watt	40	0310908B08	Screw, machine, instl hrdwr (5.0 x 0.8 x 10) (4)
2	2680009M03	Heatsink, 12-watt	41	0310911A11	Screw, machine (3.0 x 0.5 x 8.0); 12W-3 , 30W-5 used
3	2680105N01	Shield, 30-watt PA board	42	---	Screw, tapping (3.5 x 0.6 x 8.0) (board mtg)
4	2680011M01	Shield, 12-watt PA board	44	0380043L01	Screw, metric (3.0 x 10); 44 used
5	1580048N01	Cover, 30-watt PA	45	0380077M01	Screw, control head mount; 2 used
6	---	Shield, power module	46	0380077M02	Screw, hex socket (30-watt); 2 used
8	---	Gasket, heatsink	47	0380077M03	Screw, hex socket (12-watt); 2 used
11	1580098L01	Shield, receiver front end	48	---	Screw (3.5 x 0.6 x 46)
12	1580097L01	Cover, VCO board	49	0400131974	Washer, flat (.130 x .312 x .030); 2 used
14	3280247N01	Gasket, VCO	50	0480017F01	Washer, pivot; 2 used
15	1580099L01	Shield, RF board	51	7582200H01	Pad; 3 used
17	2880260M01	Header, floating	52	---	Washer, compression; 3 used
18	4280007M01	Clip, regulator	53	0484180C01	Washer, shoulder
22	3080239N02	Cable, PA ribbon	55	0980272N02	Connector, POW
25	0180016R09	Housing, front cover, with keypad	56	---	Insulator, regulator
26	1580010P02	Housing, front cover, without keypad	58	---	Insulator, alumina
27	3805670X04	Pushbutton Rocker, "MODE"	60	2680186M01	Shield, 30-watt PA
28	3805670X03	Pushbutton Rocker, "VOLUME"	61	3280015M01	Gasket, power connector
29	3880092J01	Key, "DIM"	62	3280088M01	Gasket, accessory connector
30	3880092J02	Key, "HOME"	64	3880227M04	Cap. On/Off Switch
31	7580189L03	Keypad	65	4280016M03	Clip, accessory connector
33	0310945A14	Screw, tapping; 6 used	67	4280265M02	Clip, coax, 12-watt PA; 2 used
34	3280289L02	Gasket, housing	69	5584300B01	Handle; 8 used
37	0384244C06	Screw, machine, wing (5.0 x 0.8 x 10)	70	5584300B04	Handle
38	0780086N02	Trunnion, mounting	71	6180017S01	Lightpipe
39	0300136756	Screw, tapping, instl hrdwr (10-16 x 5/8) (6)	72	6480108R01	Assembly, PA feedthrough, 30-watt

SPECTRA Series

*Mobile
Accessories*

Microphones



HMN1080A Standard Palm Microphone

HMN1053B DTMF Microphone (not compatible w/astro digital spectra)

5084898K10 Noise Cancelling Microphone

HMN1061A Palm Microphone for use with astro digital spectra W9 radio

HMN1050D Desk Top Microphone (for control station operation)

HLN1220B Handset with Hang Up Box

HMN1079A Water Resistant Palm Microphone



Sirens

H1500A Siren/Public Address (steady tone operates via button on control head)

H1336A Siren/Public Address, provides hi-lo, yelp, and airhorn tones controlled through supplemental housing

H1337A Public Address Only

Speakers

Speaker for Siren and Public Address



TDN6251A Siren Speaker Round with Chrome Finish

TDN6252A Siren Speaker Rectangular with Chrome Finish

TDN6253A Siren Speaker Underhood with Grey Finish

TDN6254A Siren Speaker Round with Grey Finish



Speakers



External Speaker

Provides Audio for High Ambient Noise Environments

HSN4018B External Speaker

Control Station Accessories

HPN4001B Control Station Power Supply

HKN4139A Power Cable

HLN6042A Control Station Tray

HMN1050D Desktop Microphone



Emergency Switch

Enables user to send an emergency message to a console, where their unit ID can be displayed and an alarm sounded.

HLN5131C External Emergency Button

HLN5113B Emergency Footswitch



SPECTRA Series

Accessories, Antennas

Mounting Hardware

Quick Release Side Mount

RLN4074A Quick Release Side Mount Kit, includes radio mount, vehicle mount, and mounting hardware



RLN4074A

Quick Release Side Mount Accessories

RLN4075A Radio Mount with Hardware

RLN4076A Vehicle Mount with Hardware

RLN4077A Angle Bracket with 20° Fixed Angle and 50° Swivel

RLN4078A Flat Bracket with 50° Swivel



HLN6025A

Miscellaneous Hardware

HLN6025A Key Lock Mount

HLN6008A Remote Mount Kit, with 17 Foot Cable

Antennas



RRA4935A



HAE4003A

UHF

HAE4002A 1/4 Wave, roof top (403-430 MHz)

HAE4003A 1/4 Wave, roof top (450-470 MHz)

HAE4004A 1/4 Wave, roof top (470-512 MHz)

HAE4010A 3.5dB, roof top (406-420 MHz)

HAE4011A 3.5dB, roof top (450-470 MHz)

HAE4012A 3.5dB, roof top (470-495 MHz)

HAE4013A 3.5dB, roof top (494-512 MHz)

Antennas

800 MHz

HAF4002A 1/4 Wave, roof top (806-900 MHz)

RRA4983A 3dB, roof top (806-900 MHz)

900 MHz

RRA4935A 3dB, roof top w/14 ft. cable (890-960 MHz)

RAF4003ARM 3dB, roof top w/22 ft. cable (890-960 MHz)

VHF

HAD4006A 1/4 Wave, roof top (136-144 MHz)

HAD4007A 1/4 Wave, roof top (144-152 MHz)

HAD4008A 1/4 Wave, roof top (150.8-162 MHz)

HAD4009A 1/4 Wave, roof top (162-174 MHz)

RAD4010ARB 3dB, roof top (136-174 MHz)

SPECTRA Series

Service Tools, Aids

Battery Cable Adapter

6680388A13 Side Mount Battery
Cable Adapter



Service Tools



Torque Screwdriver

Measures the amount of torque being applied. Recommended for precise radio assembly. Bits must be ordered separately.

RSX4043A Adjustable Torque
Screwdriver

- 6680387A70** T-6 Torx Bit
- 6680387A72** T-8 Torx Bit
- 6680387A74** T-10 Torx Bit
- 6680387A75** T-15 Torx Bit
- 6680387A77** T-25 Torx Bit



Magnetic Screwdriver

0180320B16 Magnetic Screwdriver Set with Bits



Insertion and Extraction Tool

Installs and/or removes wires from
accessory connector.

6680163F01 Insertion and Extraction
Tool

Hex L-Shaped Key Set

Recommended for front panel and PA removal/installation. 10 piece set from 1.27mm to 6mm.

0180370B87 Metric Hex L-Shaped Key Set

Service Tools

Crimping Tool

For custom installations
requiring crimping of Mini-
UHF RF connector

6680388A26 Crimping Tool



Service Aids

Programming Software

Utilizing your personal computer, the software enables you to add or reprogram frequencies as your requirements change. Compatible with IBM XT, AT, Model 30, 50, 60 and 80. Requires Radio Interface Box and appropriate cables; must be ordered separately.

Conventional

RVN4001N Programming Software, 3-1/2" Diskette (includes binder and manual)

Railroad

RVN4099B Programming Software, 3-1/2" Diskette (includes binder and manual)

Radio Interface Box

Links radio programming cable and computer interface together. Provides required voltage shift to enable communications between radio and computer. Requires computer interface cable, radio programming cable, and a 9 volt snap type battery (6082728J01) or wall mount power supply. Order separately.

RLN4008E Radio Interface Box



SPECTRA Series

Service Aids, Manuals

Service Aids



0180357A57

Wall Mounted Power Supply

Used to supply power to Radio Interface Box.

0180357A57 Wall Mounted Power Supply (110 volts)

0180358A56 Wall Mounted Power Supply(220 volts)

RF Service Cables

3080373B25 RF Injection Board Output Cable. Connects to the RX injection output of the VCO assembly for testing RF injection level

3080373B26 BNC (M) to SMB (M) Cable

3080373B41 BNC (F) to Taiko-Denki (M) Cable

3080373B27 BNC (M) to Taiko-Denki (F) Adapter

TKN8531C Key-Variable Loader Cable

5880384G68 SMA to BNC Adapter

5880367B21 Mini-UHF Male to 'N' Female Adapter

Service Aids

Computer Interface Cable

Used to connect computer's serial port to Radio Interface Box.

3080369B71 Computer Interface Cable, RIB to 25 pin D

3080369B72 Computer Interface Cable, RIB to 9 pin D

Programming Cable

Required to program radio, acts as a link between RIB box and Radio.

3080369B73 Programming Cable

Service Manuals

6881076C20 Astro Digital SPECTRA Basic Service Manual, VHF, UHF, 800 MHz

6881076C25 Astro Digital SPECTRA Detailed Service Manual, VHF, UHF, 800 MHz

6880101W33 SPECTRA Detailed Service Manual

6881074C45 SPECTRA Service Manual, 800 MHz

6880101W37 SPECTRA Service Manual, 900 MHz

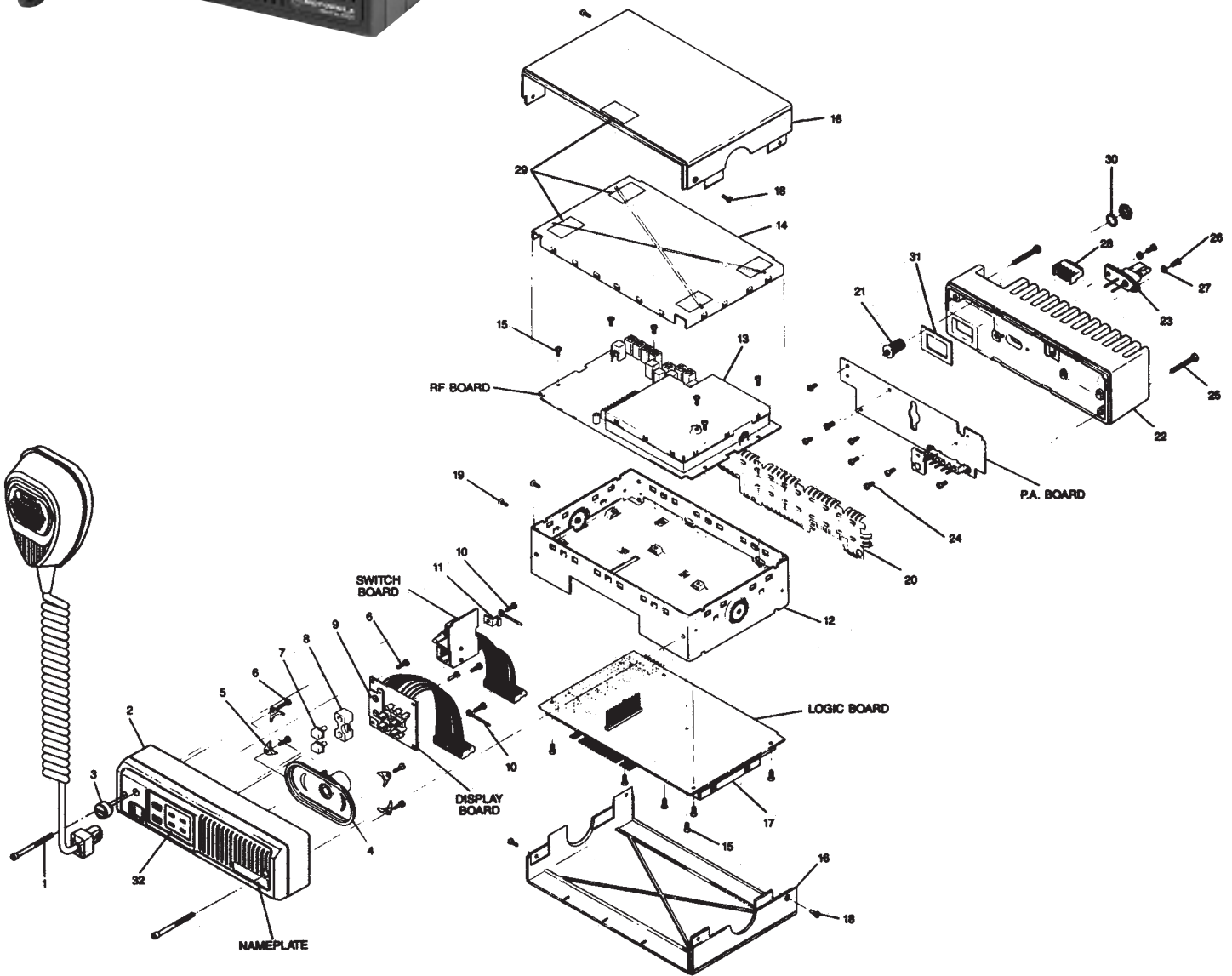
6881070C95 SPECTRA Service Manual, VHF

6880101W39 SPECTRA Service Manual, UHF

6880102W33 SPECTRA Service Manual, Securenet

MAXTRAC Series

Parts List



MAXTRAC Series

Parts List

MaxTrac 50/100 and 820 Series

REF. NO.	PART NO.	DESCRIPTION
1	0380270L01	Front Mounting Screws; 2 used
2	1580129L01	Control Head Housing
3	3680144M01	Control Knob
4	5080085D02	Speaker
5	4280253L01	Speaker Retainer; 4 used
6	0310945A11	Plastic Screw; 9 used
7	3880272L02	Push Button; 2 used
8	4380273L01	Push Button Spacer
9	7580200L01	Keypad
10	2900129883	Wire Wrap; 2 used
11	0780037M01	Bracket, switch board
12	2780128L04	Chassis Frame
13	1580953T01	Cover, VCO shield
14	2680038M03	Shield, chassis RF
15	0310943M09	Taptite Screw (M3 x 6); 12 used
16	1580127L01	Cover, housing; 2 used
17	1580124M01	Cover, logic shield
18	0310943R55	Taptite Screw (M3 x 8, flathead); 4 used
19	0310943R04	Taptite Screw (M2.5 x 8, flathead); 2 used

REF. NO.	PART NO.	DESCRIPTION
20	2680223M05	Shield, PA, VHF & UHF
20	2680223M05	Shield, PA, 800 MHz
21	0980131M01	Connector, antenna
22	2680124L03	Heatsink, UHF & VHF
22	2680124L02	Heatsink, 800 MHz
23	0980255E01	Connector, power
24	0310943M10	Taptite Screw (M3 x 8); 8 used
25	0380271L01	Machine Screw (M4 x 17); 2 used
26	0380043L01	Taptite Screw (M3 x 10); 2 used
27	0400131974	Washer; 2 used
28	1580076M01	Housing, accessory connector
29	7580918T02	Pad, shock insulating; 5 used
30	0400002636	Washer, int loc
31	3280014N03	Gasket, accessory connector
32	1380276L02	Escutcheon, 2 frequency

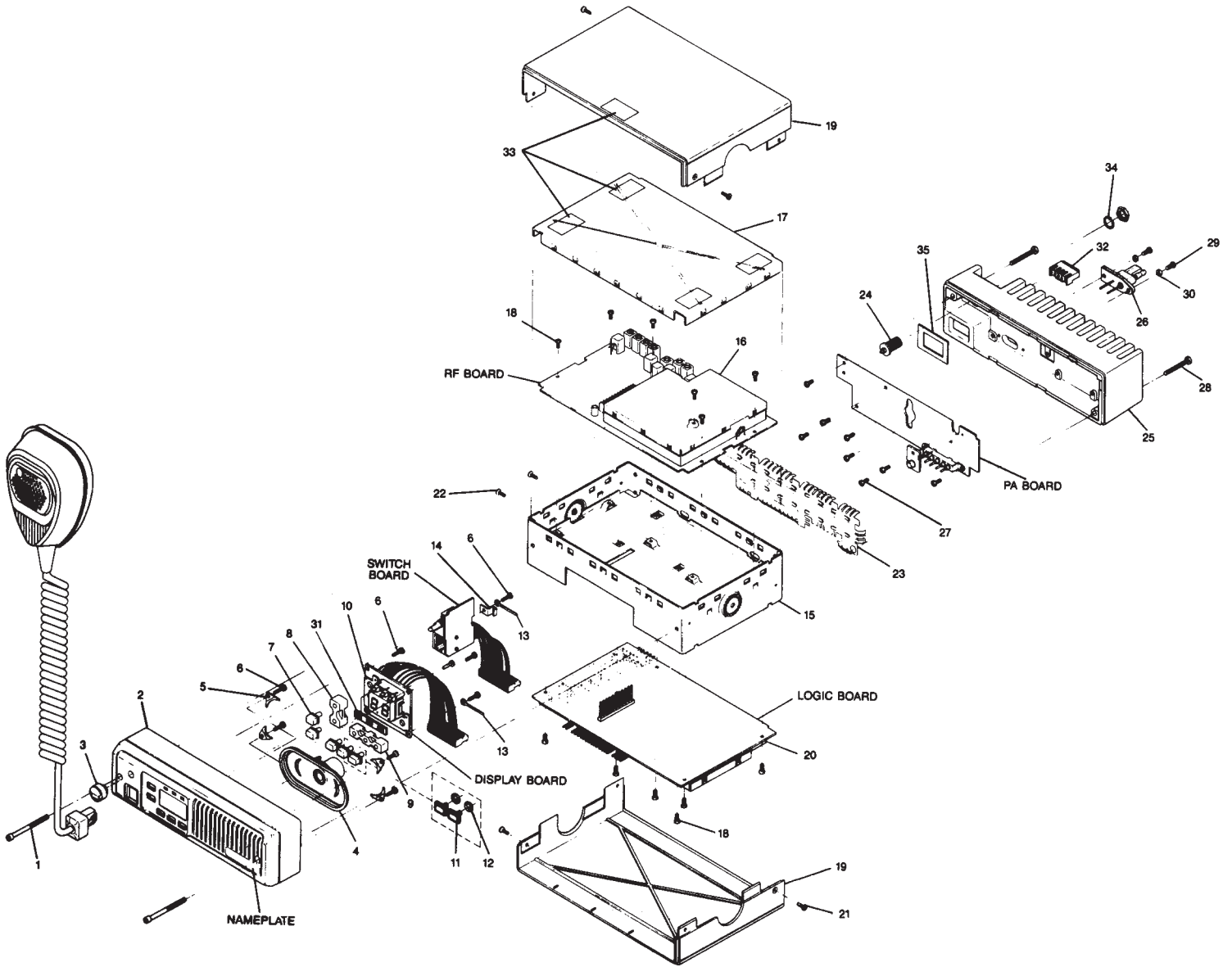
NON-REFERENCED ITEMS:

HLN5184	Switchboard
3380017N14	Nameplate



MAXTRAC Series

Parts List



MAXTRAC Series

Parts List

MaxTrac 300 and 840 Series

REF. NO.	PART NO.	DESCRIPTION
1	0380270L01	Front Mounting Screws; 2 used
2	1580129L01	Control Head Housing
3	3680144M01	Control Knob
4	5080085D02	Speaker
5	4280253L01	Speaker Retainer; 4 used
6	0310945A11	Plastic Screw; 9 used
7	3880272L02	Push Button (6 freq. models); 3 used (16 freq. models); 5 used
8	---	Push Button Spacer (1 x 2)
9	4380275L01	Push Button Spacer (1 x 3)
10	7580201L01	Keypad
11	3880077N01	Button Plug; 2 used
12	3280907T01	Gasket (6 freq. models only); 2 used
13	2900129883	Wire Wrap; 2 used
14	0780037M01	Bracket Switch Board
15	2780128L04	Chassis Frame
16	1580953T01	Cover, VCO shield
17	2680038M03	Shield, chassis, RF
18	0310943M09	Taptite Screw (M3 x 6); 12 used
19	1580127L01	Cover, housing; 2 used
20	1580124M01	Cover, logic shield
21	0310943R55	Taptite Screw (M3 x 8, flathead); 4 used
22	0310943R04	Taptite Screw (M2.5 x 8, flathead); 2 used

REF. NO.	PART NO.	DESCRIPTION
23	2680223M05	Shield, PA, VHF & UHF
23	2680223M05	Shield, PA, 800 MHz
24	0980131M01	Connector, antenna
25	2680124L03	Heatsink, UHF & VHF
25	2680124L02	Heatsink, 800 MHz
26	0980255E01	Connector, power
27	0310943M10	Taptite Screw (M3 x 3); 8 used
28	0380271L01	Machine Screw (M4 x 27); 2 used
29	0380043L01	Taptite Screw (M3 x 10); 2 used
30	0400131974	Washer; 2 used
31	3280039M01	Gasket
32	1580076M01	Housing, accessory connector
33	7580918T02	Pad, shock insulating; 5 used
34	0400002636	Washer, int loc
35	3280014N03	Gasket, accessory connector
36	1380277L01	Escutcheon (16 freq. models)

NON-REFERENCED ITEMS:

HLN5184	Switchboard
3380017N14	Nameplate

NOTE: The part number for the speaker lead assembly, including connector P10 and two lugs, is 0180747T30.



MAXTRAC Series

Mobile Accessories

Microphones

HMN1035C Palm Microphone, full size

HMN1056D Compact Palm Microphone

HMN4016A Noise Canceling Microphone, screens out background noise



HMN1035C



HMN1037B

HMN1037B Non-Backlit DTMF Microphone for 100/300 models

HMN3013A Non-Backlit DTMF Microphone for 1820/840 models

Microphone Accessories

HLN9073B Microphone Hand-Up Clip

HLN9559A 7' Coil Cord for microphones HMN1035 and HMN1056

HLN9560A 10.5' Coil Cord for microphones HMN1035 and HMN1056

Speakers



HSN4019B

Provides a separate speaker for high noise environments.

HSN4019B External Speaker, 5 watt (requires 5 pin options connector)

HSN9326A External Speaker, 5 watt (requires 16 pin options connector)

Public Address Accessories

HLN3145CR Public Address Kit, control switch panel for public address with cables (requires HSN1000B)

HSN1000B Public Address Speaker, 6 watt

HKN9324AR Speaker Cable, public address, 15 ft.

Mounting Hardware

Multiple mounting options are available. Key lock mount secures the radio with a two-piece detachable trunnion that locks together. Extra stability mount provides added stability to help protect your radio from high vibration environments. Standard and floor mounts also available.

HLN9637A Key Lock Mount (for lowband and 800 MHz)

HLN5226B Extra Stability Mount, used with non-locking trunnion

HLN5189A Non-locking Trunnion (for 820/840 series only)

HLN9450A Floor Mount, 45 Degrees/60 Degrees Wedge (for 100/300 model only)

HLN9404A Installation Sleeve Mounting Hardware (for 35 and 60 watt and low band models) for use with HLN9450A

Quick Release Slide Mount

The quick release slide mounts are easy to install and are available with a variety of mounting brackets which allow installation in any location within a vehicle.

RLN4091A Slide Mount Kit; includes vehicle mount (RLN4092A), radio mount (RLN4093A), and mounting hardware

RLN4092A Vehicle Mount Only, with hardware

RLN4093A Radio Mount Only, with hardware

RLN4094A Bracket for high power/lowband radio

RLN4077A Angle Bracket with 20 degrees Fixed Angle and 50 Degrees Swivel

RLN4078A Flat Bracket with 50 Degrees Swivel

MAXTRAC Series

Mobile Accessories

Ignition Switch Cable

HKN4284A Ignition Switch Cable (5 pin connector)

HKN9327A Ignition Switch Cable (16 pin connector)



HKN9327A

Control Station Kits



HLN3199C

Allows you to operate the radio from the convenience of your desktop. Control Station Package includes: power supply, adapter cable, black desk microphone and base tray.

HLN3199C High Power Control Station Package (25-60 watt models)

Alarm Accessories

HLN9328C External Alarm Relay Cable, (MAXTRAC 300—16 pin connector and 800 MHz display models only)

HLN9374C External Alarm Relay Cable, (MAXTRAC 100—5 pin connector and 800 MHz non-display models and 900 MHz models)

RLN5132A Emergency Alarm Pushbutton

HLN9330B Emergency Alarm Footswitch



HLN9330B

Control Station Accessories

HPN4002B Power Supply (1- 25 watt)

HPN4001B Power Supply (25-60 watt)

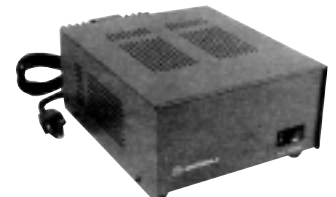
HMN3000B Standard Desktop Microphone, black

HMN1038E Desktop Microphone, beige

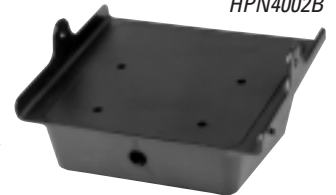
HLN5292BR Base Station Tray

HKN4139A Power Cable for low power control station

HKN9455A Power Cable for high power control station



HPN4002B



HLN5292BR

NOTE: Accessories are available for all MAXTRAC series radios unless otherwise specified.



MAXTRAC Series

Antennas, Service Tools

Antennas

800 MHz

HAF4002A 1/4 Wave, roof top (806-900 MHz)

RRA4983A 3dB, roof top (806-900 MHz)

900 MHz

RRA4935A 3dB, roof top w/14 ft. cable (890-960 MHz)

RAF4003ARM 3dB, roof top w/22 ft. cable (860-960 MHz)

VHF

HAD4006A 1/4 Wave, roof top (136-144 MHz)

HAD4007A 1/4 Wave, roof top (144-152 MHz)

HAD4008A 1/4 Wave, roof top (150.8-162 MHz)

HAD4009A 1/4 Wave, roof top (162-174 MHz)

RAD4010ARB 3dB, roof top (136-174 MHz)

UHF

HAE4002A 1/4 Wave, roof top (403-430 MHz)

HAE4003A 1/4 Wave, roof top (450-470 MHz)

HAE4004A 1/4 Wave, roof top (470-512 MHz)

HAE4010A 3.5dB, roof top (406-420 MHz)

HAE4011A 3.5dB, roof top (450-470 MHz)

HAE4012A 3.5dB, roof top (470-495 MHz)

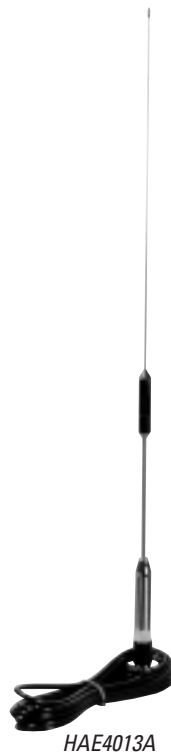
HAE4013A 3.5dB, roof top (494-512 MHz)

Low Band

RAB4002ARB 1/4 Wave Base Loaded Antenna (29.7-36.0 MHz)

RAB4003ARB 1/4 Wave Base Loaded Antenna (36-42 MHz)

RAB4004ARB 1/4 Wave Base Loaded Antenna (42-50 MHz)



HAE4013A

Antenna Adapter

5880367B22 Mini-UHF to UHF Antenna Adapter

2880376E84 Mini-UHF Antenna Connector

Miscellaneous

HLN9457A Accessory Plug and 16 Pins

HKN9557A Mini-UHF Adapter Cable

Service Tools



RSX4043A

Torque Screwdriver

Measures the amount of torque being applied. Recommended for precise radio assembly. Bits must be ordered separately.

RSX4043A Adjustable Torque Screwdriver

6680387A72 T-8 Torx Bit

6680387A74 T-10 Torx Bit

6680387A75 T-15 Torx Bit

6680387A77 T-25 Torx Bit

Insertion and Extraction Tool

6680163F01 Installs and/or removes wires from accessory connector.



6680163F01

Crimping Tool

6680388A26 For custom installations requiring crimping of Mini-UHF connector.



6680388A26

Battery Cable Adapter



6680388A13

6680388A13 Side Mount Battery Cable Adapter

MAXTRAC Series

Service Aids, Manuals

Service Aids

Radio Interface Box

Links radio programming cable and computer interface together. Provides required voltage shift to enable communications between radio and computer. Requires computer interface cable, radio programming cable, and a 9 volt snap type battery (6082728J01) or wall mount power supply, order separately.

RLN4008E Radio Interface Box



RLN4008E

Test Adapter

Used to manually key radio. Must be attached to Program/Test Cable

RLN4137A Test Adapter



RLN4137A



0180357A57

Wall Mount Power Supply

Used to supply power to Radio Interface Box.

0180357A57 Wall Mounted Power Supply (110 volts)

0180358A56 Wall Mounted Power Supply (220 volts)

Program/Test Cable

3080070N01 Required to program radio; acts as a link between Radio Interface Box and radio.

Service Aids

Computer Interface Cable

Used to connect computer's serial adapter to Radio Interface Box.

3080369B71 Computer Interface Cable; RIB to 25 pin D

3080369B72 Computer Interface Cable; RIB to 9 pin D

VCO Test Cable

Provides interface between RF board and test equipment.

3080373B41 VCO Test Cable

Programming Software

Utilizing your personal computer, this software enables you to add/or reprogram frequencies as your requirements change. Compatible with IBM XT, AT, Model 30, 50, 60 and 80. Requires Radio Interface Box and proper cables; order separately.

Conventional

RVN4019K Programming Software, 3-1/2" Diskette, Includes Binder and Manual.

Duplex, Trunked

RVN4043P Programming Software, 3-1/2" Diskette. Includes Binder and Manual.

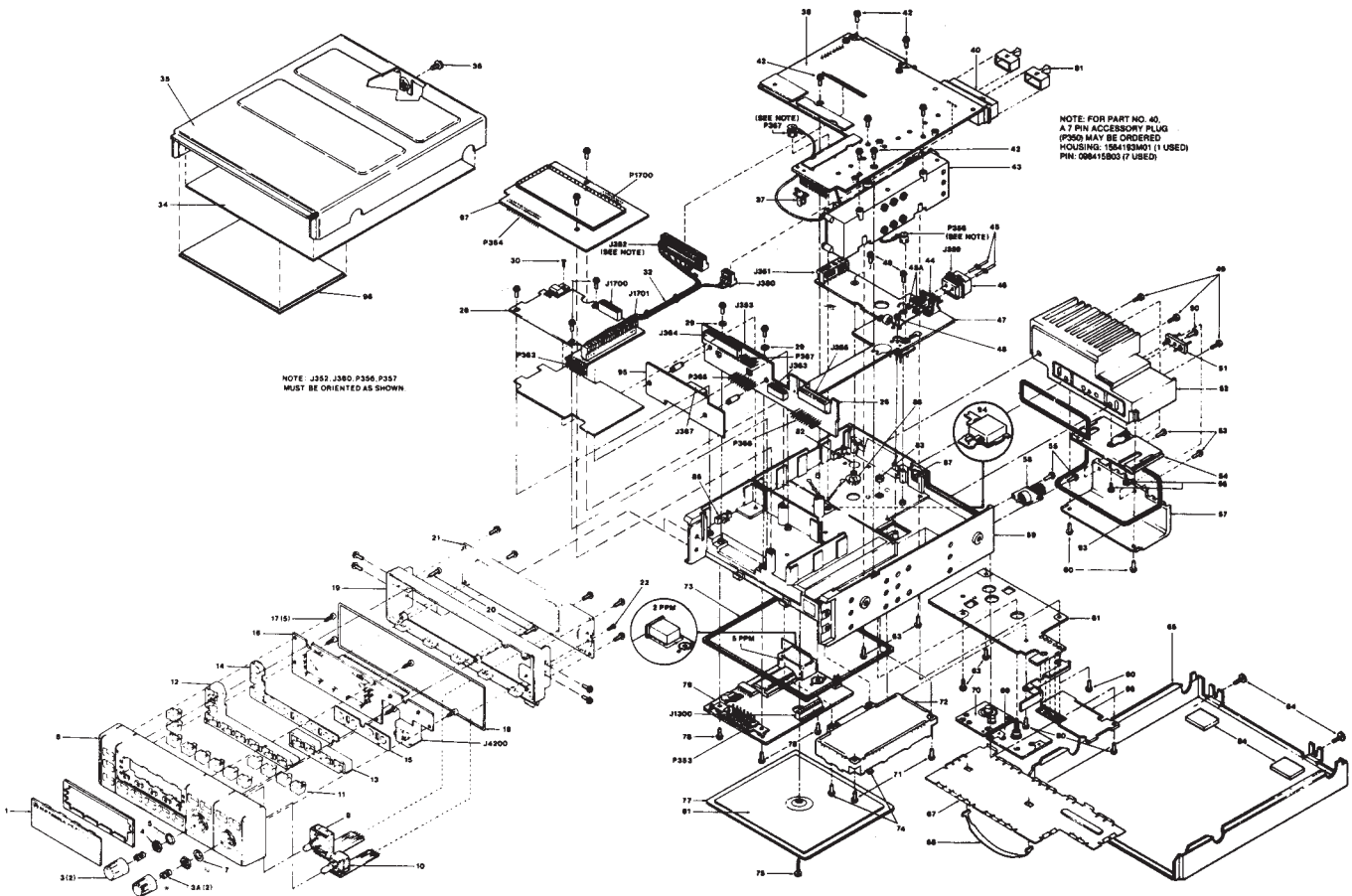
Service Manuals

6880102W84 Service Manual, Low, UHF, VHF, and 800 MHz



MCX1000 Series

Parts List



Replacement parts are no longer available

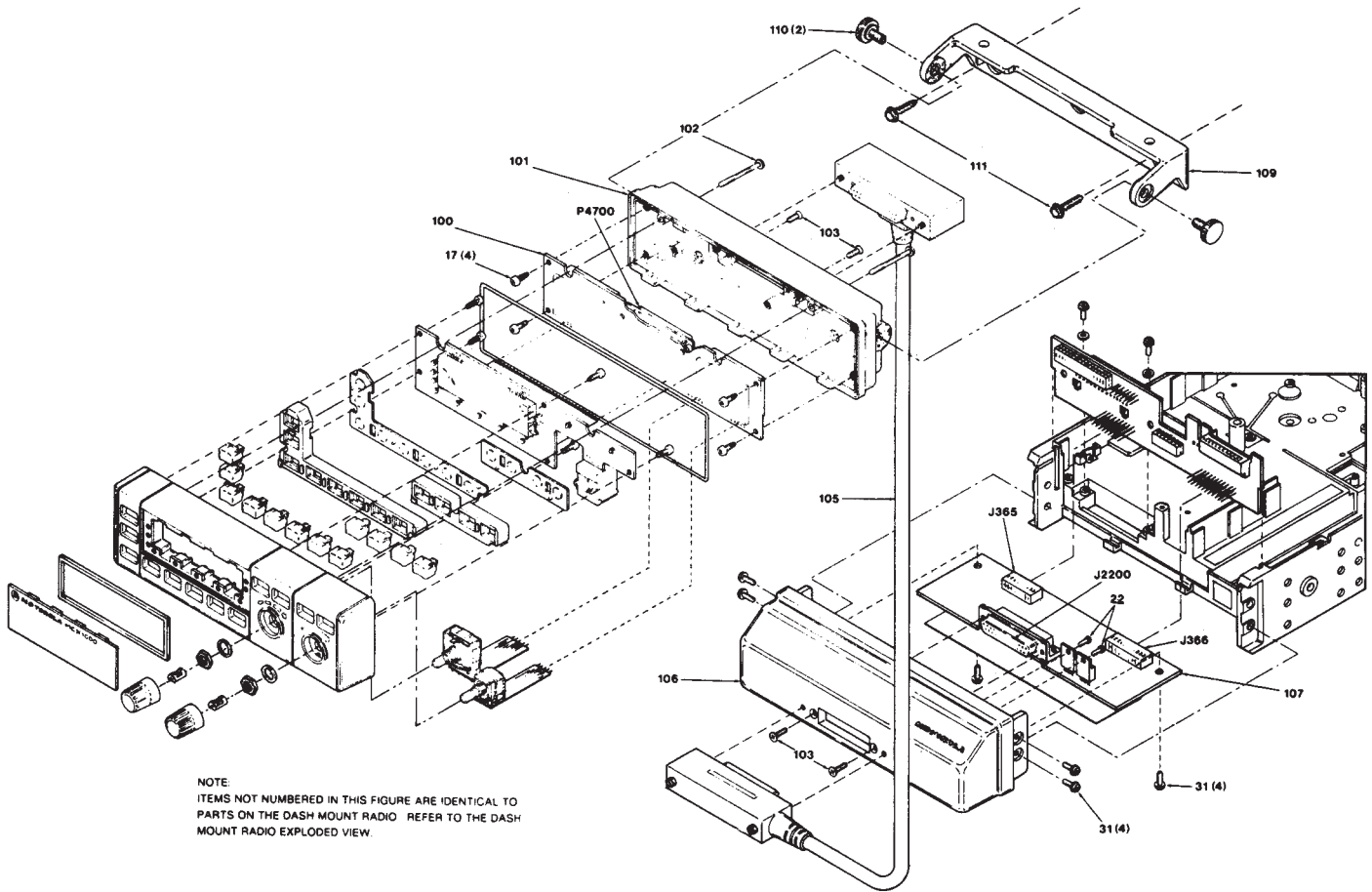
MCX1000 Series**Parts List****Radio Set Mechanical Parts (Dash Mount Version)**

REF. NO.	PART NO.	DESCRIPTION	REF. NO.	PART NO.	DESCRIPTION
-------------	----------	-------------	-------------	----------	-------------

**Cancelled Product MCX1000:
Aftermarket support criteria has
been met for spare parts. Items
are no longer available.**

MCX1000 Series

Parts List



Replacement parts are no longer available

MCX1000 Series**Parts List****Radio Set Mechanical Parts (Remote Mount Version)**

REF. NO.	PART NO.	DESCRIPTION	REF. NO.	PART NO.	DESCRIPTION
-------------	----------	-------------	-------------	----------	-------------

**Cancelled Product MCX1000:
Aftermarket support criteria has
been met for spare parts. Items
are no longer available.**

MCX1000 Series

Accessories, Antennas

Mounting Bracket

VLN4777A Hinged Mounting Bracket; includes installation hardware

Antennas

Motorcycle Antennas

Part Number: **RAD4002ARB**
Frequency: 136-144 MHz
Power: 150 watts
Gain: Unity
VSWR: Less than 1.5:1
Impedance: 50 ohms,
nominal
Mounting Kit: 8' RG58A/U,
Mini-UHF Connector



RAE4024ARB

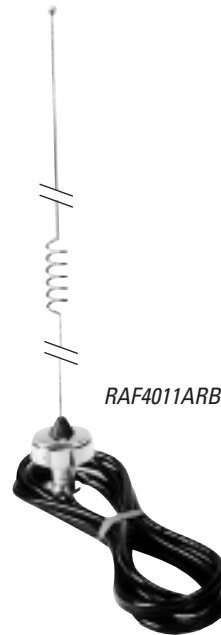
Part Number: **RAE4024ARB**
Frequency: 450-482 MHz
Power: 150 watts
Gain: Unity
VSWR: Less than 1.5:1
Impedance: 50 ohms,
nominal
Mounting Kit: Roof Mount
8' RG58A/U,
Mini-UHF Connector

Part Number: **RAD4004ARB**
Frequency: 150.8-162 MHz
Power: 150 watts
Gain: Unity
VSWR: Less than 1.5:1
Impedance: 50 ohms,
nominal
Mounting Kit: 8' RG58A/U,
Mini-UHF Connector



RAD4005ARB

Part Number: **RAD4005ARB**
Frequency: 162-174 MHz
Power: 150 watts
Gain: Unity
VSWR: Less than 1.5:1
Impedance: 50 ohms,
nominal
Mounting Kit: 8' RG58A/U,
Mini-UHF Connector



RAF4011ARB

Part Number: **RAF4011ARB**
Frequency: 806-866 MHz
Power: 150 watts
Gain: 3 dB
VSWR: Less than 1.5:1
Impedance: 50 ohms,
nominal
Mounting Kit: 8' RG58A/U,
Mini-UHF Connector

Motorcycle
Antenna
Installation
Kit: **0180355A50**

Battery Cable Adapter

6680388A13 Side Mount Battery
Cable Adapter



6680388A13

MCX1000 Series

Service Aids, Manuals

Service Aids

Programming Software

Utilizing your personal computer, this software enables you to add or reprogram frequencies as your requirements change. Compatible with IBM XT, AT, Model 30, 50, 60, and 80. Requires Radio Interface Box and appropriate cables; must be ordered separately.

Conventional

RVN4011B Programming Software, 3-1/2" Diskette (includes binder and manual)

Marine

RVN4063A Marine MCX1000 Programming Software, 3-1/2" Diskette (includes binder and manual)

Radio Interface Box (RIB)

Links radio programming cable and computer interface together. Provides required voltage shift to enable communications between radio and computer. Requires computer interface cable, radio programming cable, and a 9-volt snap type battery (6082728J01) or wall mount power supply; order separately.



RLN4008E

RLN4008E Radio Interface Box

Wall Mounted Power Supply

Used to supply power to the Radio Interface Box.

0180357A57 Wall Mounted Power Supply (110 volts)

0180358A56 Wall Mounted Power Supply (220 volts)

Service Aids

Computer Interface Cable

Used to connect computer's serial adapter to Radio Interface Box.

3080369B71 Computer Interface Cable; RIB to 25 pin D

3080369B72 Computer Interface Cable; RIB to 9 pin D

Programming Cable

Required to program radio, acts as a link between RIB and radio.

3000056M01 Programming Cable

Manuals

136-174 MHz

6802902A56 MCX1000 30/40 W Mobile Radio Service Manual MBD/MBT43URA Series

403-470 MHz

6802902A57 MCX1000 30 W Mobile Radio Service Manual MBD/MBT44URA Series

Owner's Manual (for all frequency ranges)

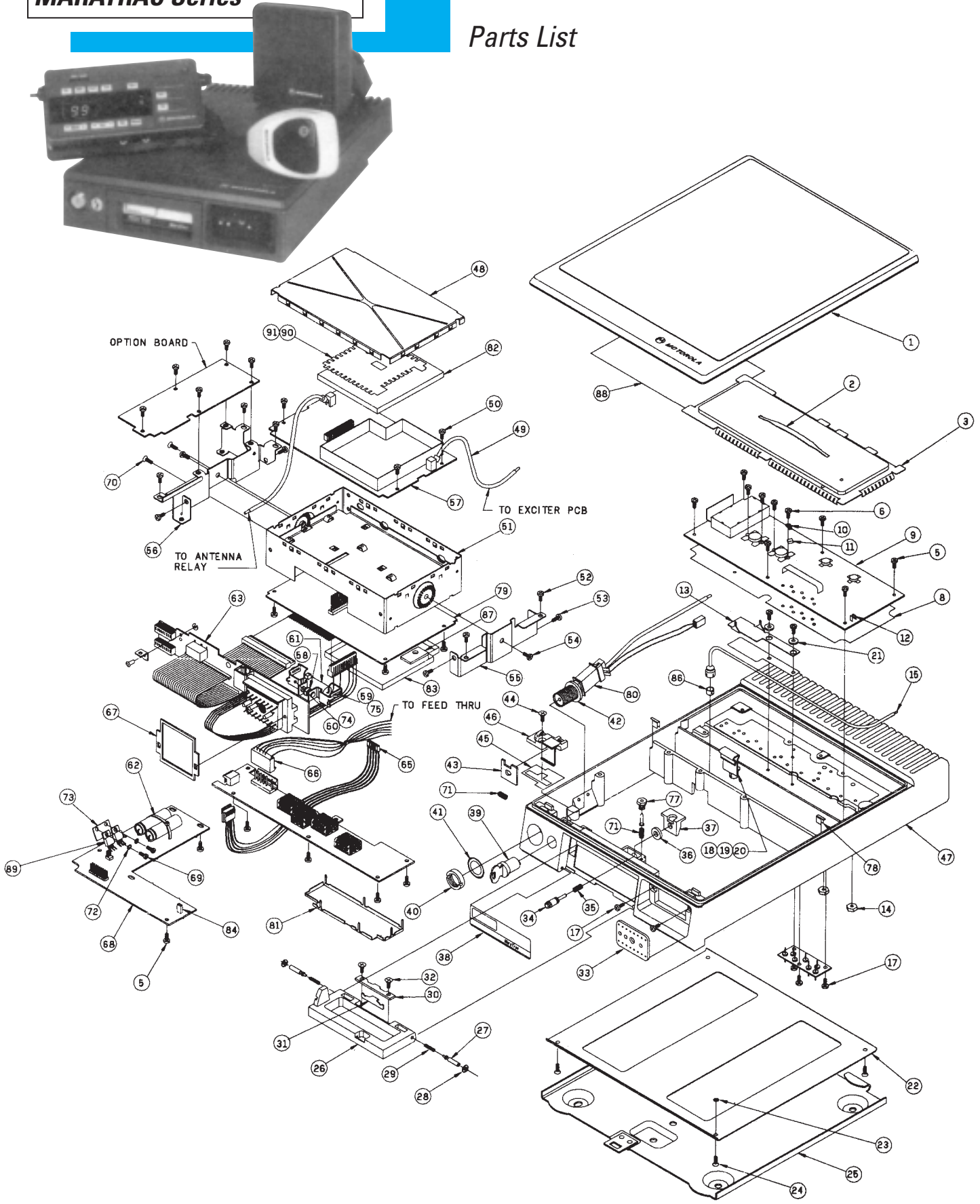
6802901A91 MCX1000 Instruction Manual (English—Installation and Operation)

Miscellaneous

6802902A30 MCX1000 Radio Service Software Program Manual

MARATRAC Series

Parts List



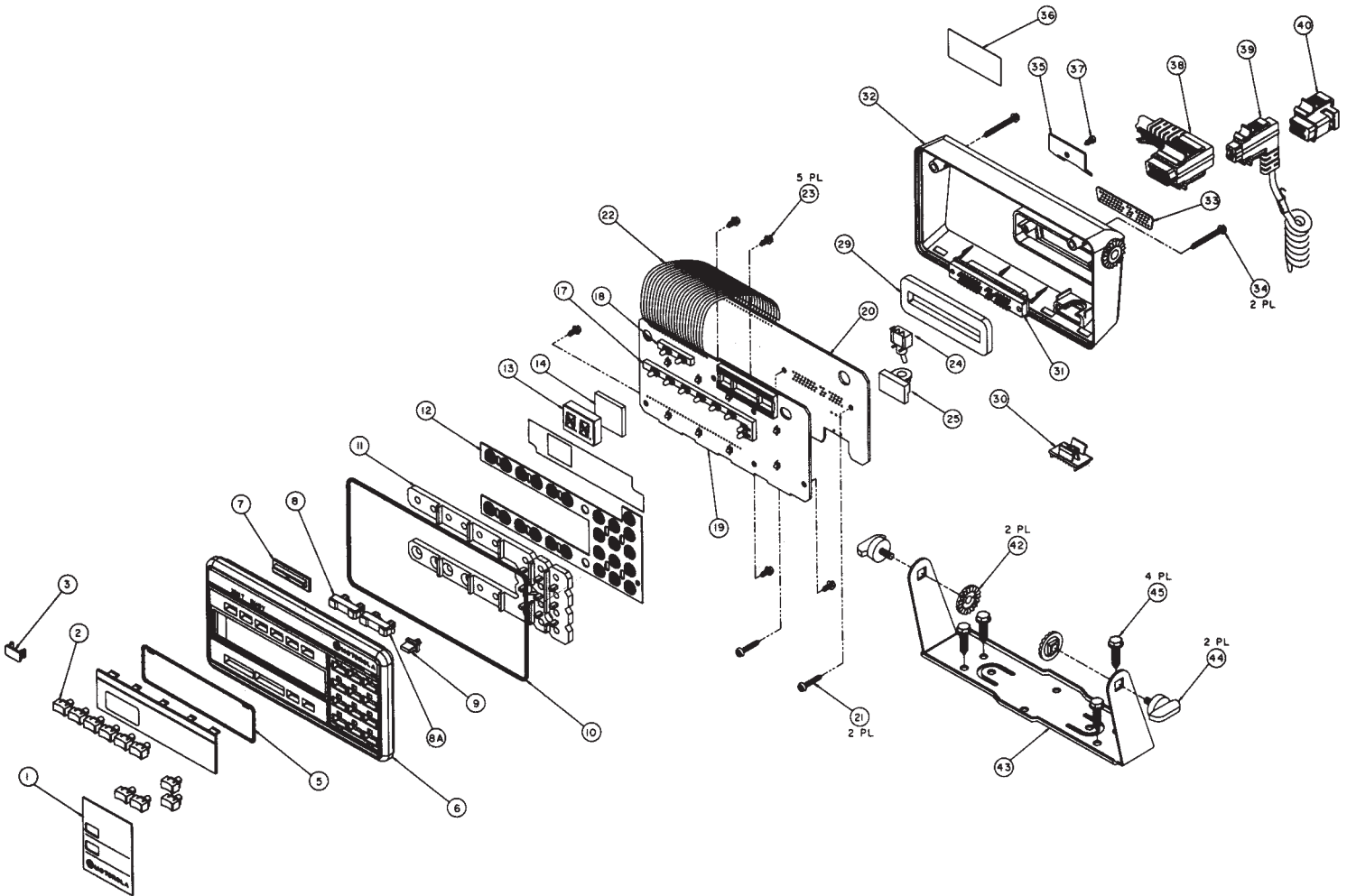
MARATRAC Series

Parts List

VHF

REF. NO.	PART NO.	DESCRIPTION	REF. NO.	PART NO.	DESCRIPTION
1	0180251J02	Top Cover	50	0310943M09	Screw (3.0 x 0.5 x 6.0); 12 used
2	5584300B04	Handle, nylon	51	2780128L04	Chassis
3	2680070B01	Shield, PA compartment	52	0310943M17	Screw (3.5 x 0.6 x 13); 4 used
5	---	Screw (3.5 x 0.6 x 8.0); 20 used	53	0310908A35	Screw (4.0 x 0.7 x 8.0); 4 used
6	0310911A11	Screw (3.0 x 0.5 x 8.0); 4 used	54	0310908B08	Screw (5.0 x 0.8 x 10); 2 used
8	1480143A04	Insulator, PA	55	0780143N01	Bracket, transceiver, side
9	HLD4337	100W PA PCB Assembly	56	0780141N01	Bracket, transceiver, inner
10	0780078A01	Bracket, thermistor mounting	57	HLE9310	RF Circuit Board
11	7580043F01	Pad, compression (HLD4337B)	58	4880153A01	Diode, pellet
12	2980014A01	Clip, coax (HLD4337B); 2 used	59	2680274A01	Heatsink, diode, right
14	0200119913	Nut (8-32 x 11/32 x 1/8 hex); 2 used	60	2680275A01	Heatsink, diode, left
15	0180750T31	Coax Cable Assembly	61	2380167C03	Capacitor, electrolytic
17	0310908A26	Screw (3.5 x 0.6 x 6.0); 6 used	62	4280313A70	Strap, cable harness; 4 used
18	0200007005	Nut (6-32 x 1/4 x 3/32 hex)	63	HLN5343	Interconnect Circuit Board
19	2680154A01	Heatsink LL AMP	65	3080159N01	Cable, power control board
20	2680238N01	Heatsink T05	66	3080234N01	Cable, power control
21	---	Washer, shoulder	67	3280074A02	Gasket, cable plug
22	HLN4033	Bottom Cover Assembly	68	HLD4335	Audio/Squelch Board
23	0480149A01	Washer, captivating; 4 used	69	0310908A18	Screw (3.0 x 0.5 x 6.0); 2 used
24	0310913A29	Screw (3.5 x 0.6 x 13); 4 used	70	0310943R04	Screw (2.5 x 0.45 x 8.0); 2 used
25	HLN4034C	Mounting Tray Assembly	71	4180022A01	Spring, lock; 2 used
26	5580002A01	Handle	72	0484180C01	Washer, shoulder; 2 used
27	4780021A01	Pin, pivot; 2 used	73	1480075D01	Insulator, T0220
28	0480017F01	Washer, pivot; 2 used	74	---	Cable, 14 gauge, red
29	4180175A01	Spring; 2 used	75	---	Cable, 14 gauge, black
30	6480019A01	Plate, backup	77	---	Sleeve, cover release
31	0780113B01	Bracket, latch	78	4280013A01	Clip, coax; 3 used
32	0380001P01	Screw (3.5 x 0.6 x 6.0); 2 used	79	HLN5402C	Logic Board
33	3280020C01	Gasket, cable connector, front	80	HLN5344	Antenna Relay
34	4780027A01	Pushbutton	81	2680163N01	Shield, solder side
35	4180029A01	Spring, latch	82	1580953T01	Cover, VCO shield
36	3280295C01	Gasket	84	0980080L01	Jumper, 2-position
37	0780030A01	Bracket, latch	86	---	Ring, compression
38	3380028N03	Nameplate, radio	87	---	Pad, compression
39	5580370A01	Lock (Key 5500893872)	88	---	Label
40	0280006A01	Nut, spanner	89	5180065C04	IC Audio; 2 used
41	0400114522	Lockwasher, 5/8"			
42	3280080A01	Gasket, antenna connector			
43	0780016A02	Bracket, lock slide			
44	0310936E14	Screw (B3.5 x 1.27 x 13)			
45	3280000P01	Gasket, lock support			
46	0780015A02	Support, lock slide			
47	1580162N02	Housing			
48	2680038M03	Shield, chassis, RF slide			
49	3080231N01	Cable, coax			

Parts List



MARATRAC Series

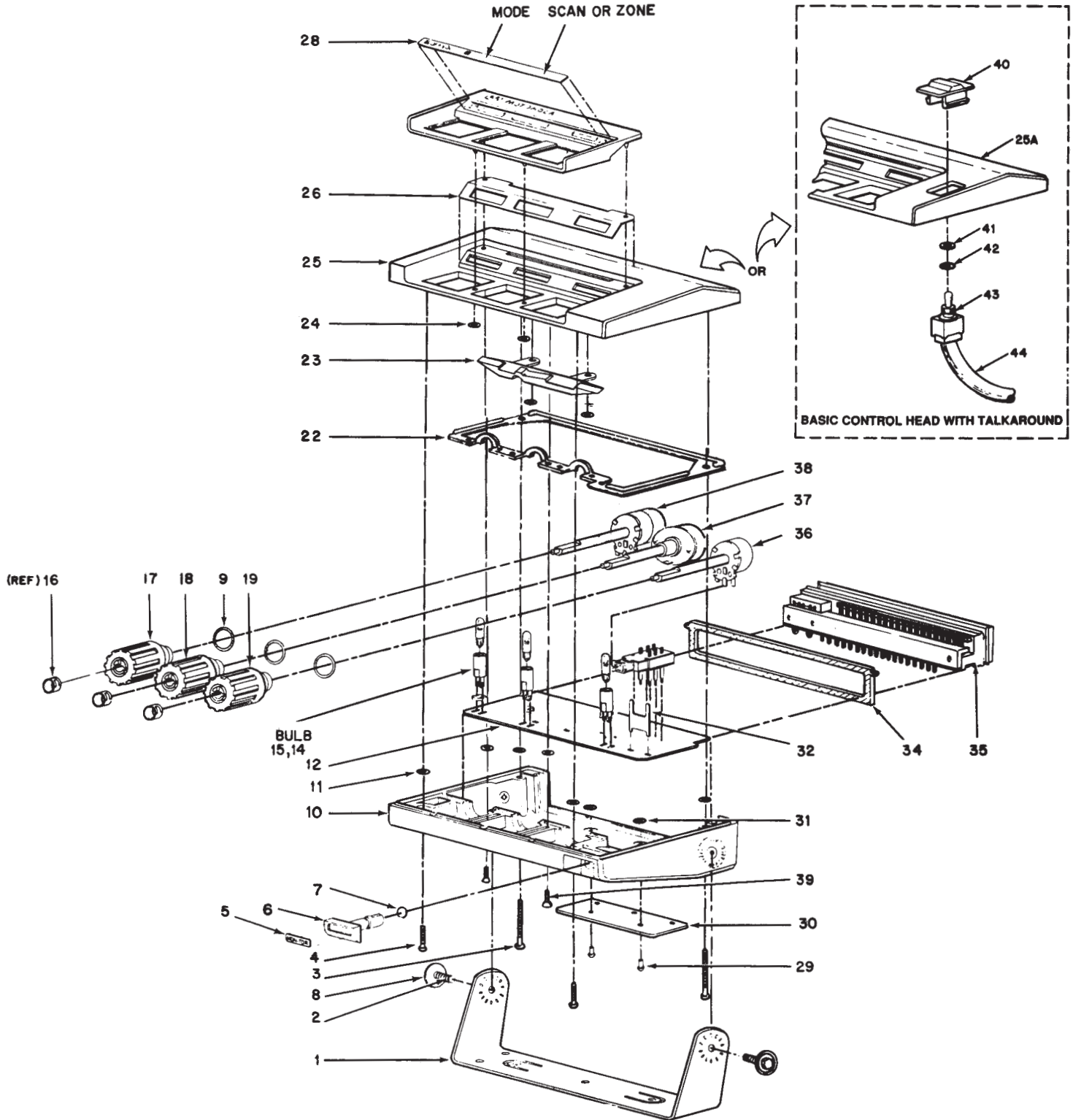
Parts List

UHF 450-470 MHz 75/100 Watts

REF. NO.	PART NO.	DESCRIPTION	REF. NO.	PART NO.	DESCRIPTION
1	1380087J04	Escutcheon	24	4080033K01	Toggle Switch (see Control Heads control board)
2	3805672X02	Pushbutton, MPL	25	3280178J01	Gasket, ON/OFF switch
2	3805672X03	Pushbutton, SCAN	26		
2	3805672X14	Pushbutton, RCL	&		
2	3805672X18	Pushbutton, SEL	28	---	(not used)
2	3805672X19	Pushbutton	29	3280179J01	Gasket, D-connector
2	3805672X39	Pushbutton, HOME	30	3280128J01	Topper, ON/OFF switch
3	3880253K02	Plug	31	2880228J01	D-Connector (see Control Heads control board)
5	3280057K02	Gasket, lens	32	1505199X04	Housing, rear (see note)
6	1505125X04	Housing, front (see note)	33	3280181J01	Gasket, connector face
8	3805670X04	Rocker Button, MODE	34	0310908A33	Screw, machine (M3.5 x 0.6 x 30)
8A	3805670X05	Rocker Button, VOL	35	0784323C01	Bracket, strain relief
9	3880092J01	Pushbutton, DIM	37	0310908A18	Screw, machine (M3 x 0.5 x 6.0)
10	3280180J02	Gasket, housing	38	HKN4321B	Radio Cable
11	6105126X01	Lightpipe, keypad	39	3080223J01	Six-Conductor Microphone Cable
12	6580098J01	Keypad	40	1580221J01	VIP Connector
14	7580094M04	Shock Pad	42	4380127J01	Spacer, trunnion
16	---	(not used)	43	0780263L01	Bracket, trunnion
17	4380011L01	Spacer, LED, 8-position	44	0380160E01	Screw, wing (M5.0 x 0.8 x 10)
18	4380012L01	Spacer, LED, 2-position	45	0300136756	Screw, tapping (10-16 x 5/8)
21	0310945A14	Screw, tapping (M3.12 x 1.27 x 16)			
22	3080034K01	Flex Cable			
23	0310945A11	Screw, tapping (M3.12 x 1.27 x 8.0)			

Note: Replace front and rear housings as a pair.

Parts List



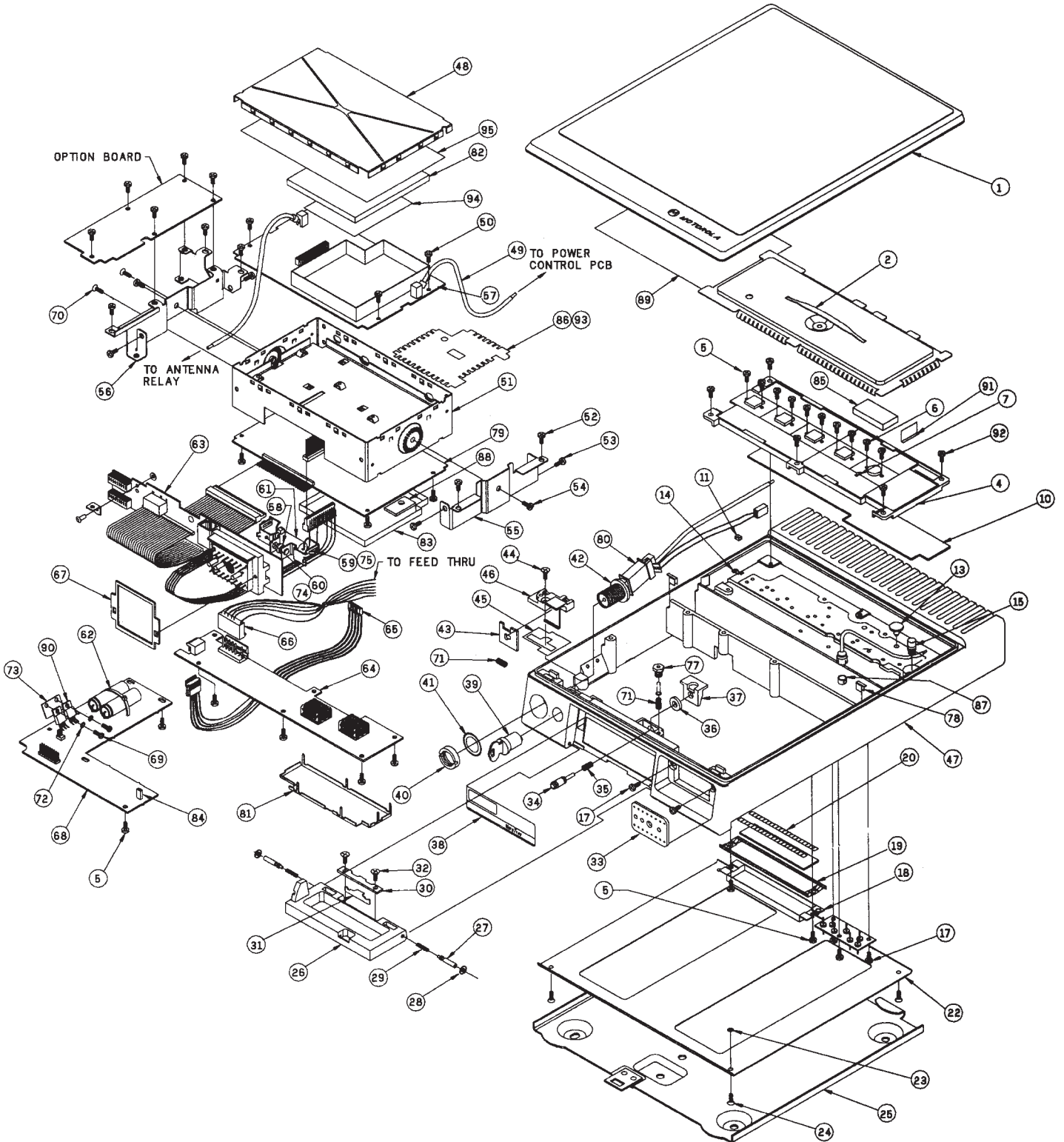
MARATRAC Series

Parts List

Basic Control Head

REF. NO.	PART NO.	DESCRIPTION	REF. NO.	PART NO.	DESCRIPTION
1	0780101A01	Bracket, trunnion	26	3280140B03	Gasket, bezel
2	0300135726	Screw, trunnion; 2 used	28	3380116A09	Nameplate (overlay) (8 mode)
3	0310908A33	Screw, machine (M3.5 x 0.6 x 30); 2 used		or	
4	0310908A29	Screw, machine housing; 2 used		3380116A10	Nameplate (16 mode)
5	3380117A01	Nameplate, "MONITOR"	29	0500132475	Rivet; 2 used
6	3680102A01	Pushbutton	30	0780100A02	Bracket, strain relief
7	4210128A22	"O" Ring	31	0400007555	Washer, flat; 2 used
8	0400135784	Washer, trunnion; 2 used	32	0780159A01	Bracket, switch
9	4301028A23	"O" Ring; 3 used	34	3280038C01	Gasket, connector
10	1580109A01	Housing, button	35	1580237B02	Housing
11	0480149A01	Washer, captive; 6 used	36	4080166N02	Switch, rotary 2-P
14	0980051B01	Light Socket; 3 used	37	4080166N01	Switch, rotary 8-P
15	6580284N01	Light Bulb; 3 used	38	1880126A03	Potentiometer, rotary
17	3680107A01	Knob, volume squelch	39	0310913A29	Screw, machine (M3.5 x 0.6 x 1.0 x 3.0); 2 used
18	3680107A05	Knob, mode		0300136756	Screw, tapping (10-16 x 5/8"); 3 used (for trunnion mounting)
19	3680107A06	Knob, zone	40	---	Repeat/Direct Button
	or		41	---	Nut, spanner
	3680107A07	Knob, scan	42	---	Switch, housing (p/o 25A)
22	3280203B01	Gasket, hosing	43	3205082E20	"O" Ring
23	6180119A01	Lens	44	4005680K03	Toggle Switch
24	4210113A31	Retainer Ring; 6 used			
25	1580108A01	Housing, top (for non-talkaround)			
25A	---	Housing, top (talkaround)			

Parts List



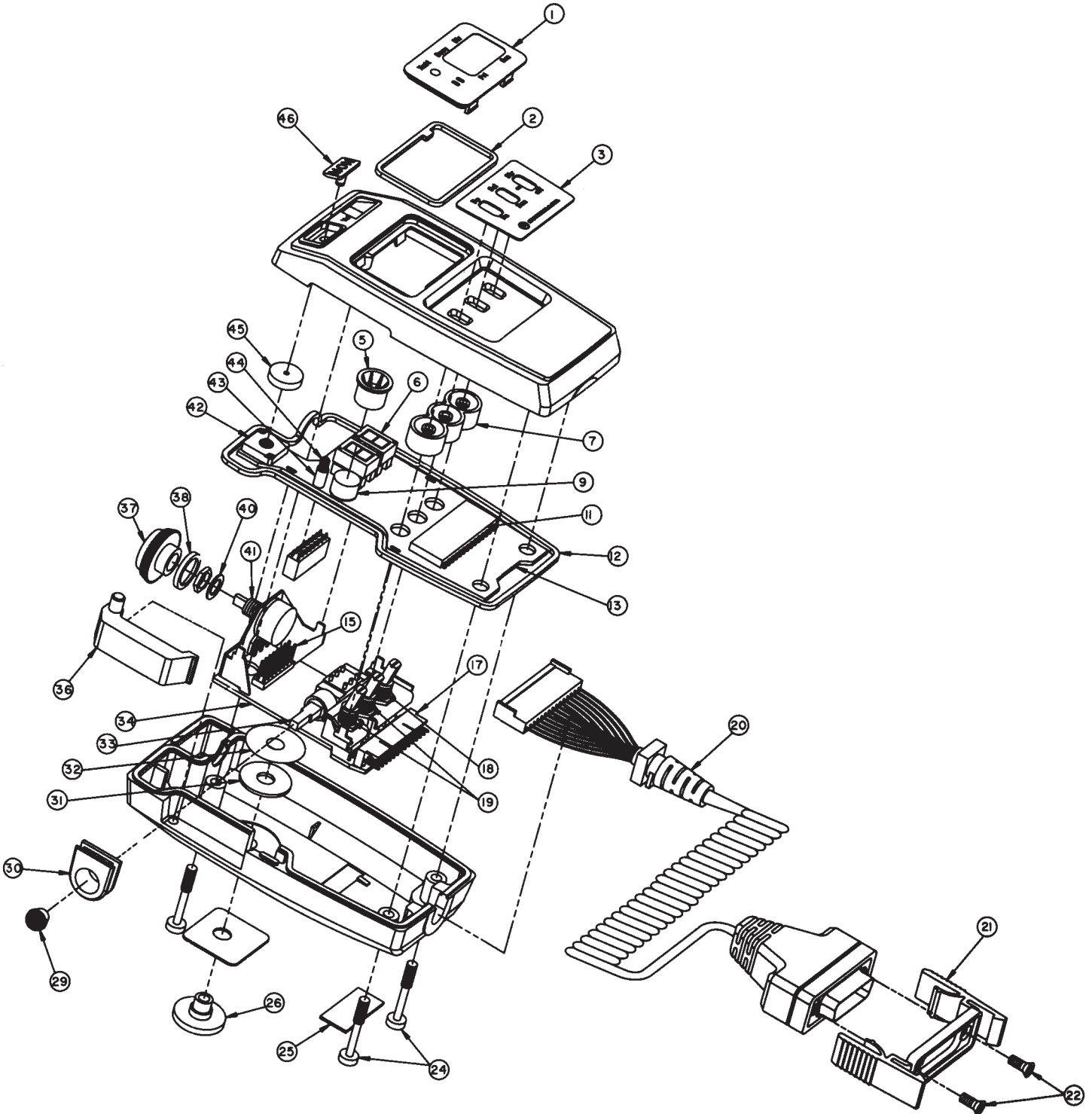
MARATRAC Series

Parts List

UHF

REF. NO.	PART NO.	DESCRIPTION	REF. NO.	PART NO.	DESCRIPTION
1	0180251J02	Top Cover	50	0310943M09	Screw (3.0 x 0.5 x 6.0); 12 used
2	5584300B04	Handle, nylon	51	2780128L04	Chassis
4	4280137A03	Clamp, substrate	52	0310943M17	Screw (3.5 x 0.6 x 13); 4 used
5	---	Screw (3.5 x 0.6 x 8.0); 22 used	53	0310908A35	Screw (4.0 x 0.7 x 8.0); 4 used
6	0310911A11	Screw (3.0 x 0.5 x 8.0); 10 used	54	0310908B08	Screw (5.5 x 0.8 x 10); 2 used
7	4284510M04	Strap, PA; 4 used	55	0780142N01	Bracket, transceiver, side
10	HLE4449	Power Distribution Board	56	0780141N01	Bracket, transceiver, inner
11	7580054F01	Pad, compression	57	HLE9310C	RF Circuit Board
13	3280084A02	Gasket, stud device; 2 used	58	4880153A01	Diode, pellet
14	0780078A01	Bracket, thermistor mounting	59	2680274A01	Heatsink, diode, right
15	2680254A01	Heatsink, LLA	60	2680275A01	Heatsink, diode, left
17	0310908A26	Screw (3.5 x 0.6 x 6.0); 6 used	61	2380167C03	Capacitor, electrolytic
18	1580066B01	Cover, harmonic filter	62	4280313A70	Strap, cable harness; 4 used
19	2680079B01	Shield, harmonic filter gasket	63	HLN5343	Interconnect Circuit Board
20	3280074B01	Gasket, harmonic filter; 2 used	64	HLE4444	Exciter, power control circuit board
22	HLN4033	Bottom Cover Assembly	65	3080159N01	Cable, power control board
23	0480149A01	Washer, cap; 4 used	66	3080234N01	Cable, power control
24	0310913A29	Screw (3.5 x 0.6 x 13); 4 used	67	3280074A02	Gasket, cable plug
25	HLN4034	Mounting Tray	68	HLN5342	Audio/Squelch Board
26	5580002A01	Handle	69	0310908A18	Screw (3.0 x 0.5 x 6.0); 2 used
27	4780021A01	Pin, pivot; 2 used	70	0310943R04	Screw (2.5 x 0.45 x 8.0); 2 used
28	0480017F01	Washer, pivot; 2 used	71	4180022A01	Spring, lock
29	4180175A01	Spring; 2 used	72	0484180C01	Washer, shoulder; 2 used
30	6480019A01	Plate, backup	73	1480075D01	Insulator, T0220
31	0780113B01	Bracket, latch	74	3010286A06	Cable, 14-gauge, red
32	0180001P01	Screw (3.5 x 0.6 x 6.0); 2 used	75	3010286A04	Cable, 14-gauge, black
33	3280020C01	Gasket, cable connector, front	77	4380150A01	Sleeve, cover release
34	4780027A01	Pushbutton	78	4280013A01	Clip, coax; 2 used
35	4180029A01	Spring, latch	79	HLN5402	Logic Board
36	3280295C01	Gasket	80	HLN5345	Antenna Relay
37	0780030A01	Bracket, latch	81	2680163N01	Shield, solder side
38	3380028N03	Nameplate, radio	82	1580953T01	Cover, VCO shield
39	5580370A01	Lock	83	1580124M01	Cover, logic shield
40	0280006A01	Nut, spanner	84	0980080L01	Jumper, 2-position
41	0400114522	Lockwasher, 5/8"	85	7582200H01	Pad, compression; 4 used
42	3280080A01	Gasket, antenna connector	86	2680923T01	Shield, RF to chassis
43	0780016A02	Bracket, lock slide	87	4284733F01	Ring, compression
44	0310936E14	Screw (B3.5 x 1.27 x 13)	89	5480166K01	Label
45	3280000P01	Gasket, lock support	90	5180065C04	IC Audio; 2 used
46	0780015A02	Support, lock slide	91	1480135H01	Insulator, hybrids; 3 used
47	1580162N02	Housing			
48	2680038M03	Shield, chassis RF side			
49	3080231N01	Cable, coax			

Parts List



Parts List

Handheld Control Head

REF. NO.	PART NO.	DESCRIPTION	REF. NO.	PART NO.	DESCRIPTION
1	6180052H07	Lens	25	3380025H21	Nameplate, HHCH
2	---	Gasket, lens	26	0500855939	Rivet
3	1380020H09	Escutcheon (for talkaround)	29	3880131P01	Cap, PTT switch
3	1380020H10	Escutcheon (for non-talkaround)	30	3280060H01	Seal, PTT
5	---	Seal, microphone	31	---	Washer, flat
6	4880187G05	Diode, common anode	32	1480258N01	Insulator, microphone
7	3280063H01	Seal, switch	33	4080065E01	Switch, momentary PTT
9	5080258E04	Electret, microphone cartridge	36	3880131P01	Button, PTT
11	5180135C08	IC Display, driver MM5480	37	3680053H01	Knob
12	3280058H03	Gasket, housing	38	4284591A03	"O" Ring
15	2880005S08	Connector, male header	40	0400124629	Washer, flat
17	2880195N01	Plug, right angle	41	1880095D07	Resistor, variable, squelch
18	4080123H06	Switch, toggle	42	4080067H01	Switch, momentary
19	4080123H01	Switch, toggle	43	---	Spacer, LED
20	3080227N01	Cable, coiled	44	4805504C01	LED
21	4280253N01	Clip, coiled cord	45	3280062H01	Seal, button
22	0300140287	Screw	46	3880054H02	Squelch Button
24	0380076E02	Screw, metric, hi-lo	47	---	Gasket Retainer

MARATRAC Series

Mobile Accessories

Microphones/Handsets

A variety of microphones are available to add flexibility and ease of operation.

HMN1015A Standard Palm Microphone for A2 and A3 models

HMN1061A Standard Palm Microphone for A7 model

HMN4013A Noise Cancelling Microphone for A7 models

HMN1032B DTMF Microphone for A7 model

HLN1220B Handset with Hang-up Box for A7 model

Speakers



HSN4020B

Adds external speaker—useful in high noise environments.

HSN4020B External Speaker for use on MARATRAC A2 and A3 models

HSN4021B External Speaker for use on MARATRAC A5 and A7 models

Sirens

Speakers for Siren

TDN6251A Siren Speaker, Round with Chrome Finish

TDN6252A Siren Speaker, Rectangular with Chrome Finish

TDN6253A Siren Speaker, Round with Grey Finish

TDN6254A Siren Speaker, Rectangular with Grey Finish



TDN6254A

Front/Rear Controls

HLN1398A Front and Rear Control, includes auxiliary handset, hang-up cup, control box and power voice speaker (requires one of the following control cables)

YKN4228A 17' Front and 40' Rear Control Cable

YKN4230A 17' Front and 80' Rear Control Cable

YKN4229A 25' Front and 40' Rear Control Cable

Basic Control Heads

HCN1089A VHF, UHF A7 Advanced Control Head

HCN1090A Lowband A7, 99-channel Advanced Control Head with Adjustable Squelch Control, for use with radios shipped since 10/94

MARATRAC Series

Accessories, Antennas

Emergency Switch

Enables user to send an emergency message to a console, where their unit ID can be displayed and an alarm sounded

HLN6555A Emergency Footswitch for A7 models

HLN4811A



Alarm

HKN1015A External alarm cable and relay, VHF and UHF (for Horn and Lights)

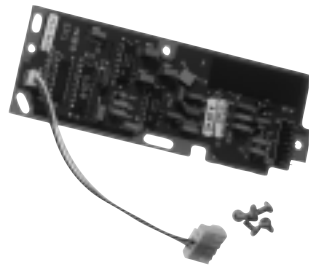
HLN3091A External alarm cable and relay, Low Band (for Horn and Lights)

Note: Horn and Lights are not independently selectable on low band models

Signaling Retrofit Kits

HLN1400A DTMF decode signalling kit (for POST 1990 radios)

HLN1400A



Mobile Antennas

Low Band

RAB4002ARA Low Band 1/4 Wave Base Loaded Antenna, 29.7-36 MHz

RAB4003ARA Low Band 1/4 Wave Base Loaded Antenna, 36-42 MHz

RAB4004ARA Low Band 1/4 Wave Base Loaded Antenna, 42-50 MHz

VHF

TAD6112A VHF 1/4 Wave Roof Mount Antenna, 144-152 MHz

TAD6113A VHF 1/4 Wave Roof Mount Antenna, 150-162 MHz

TAD6114A VHF 1/4 Wave Roof Mount Antenna, 162-172 MHz

UHF

TAE6052A UHF 1/4 Wave Roof Mount Antenna, 450-470 MHz



RAB4004ARA

MARATRAC Series

Service Tools

Service Tools

Torque Screwdriver

Measures the amount of torque being applied. Recommended for precise radio assembly. Bits must be ordered separately.



RSX4043A

RSX4043A Adjustable Torque Screwdriver

6680387A72 T-8 Torx Bit

6680387A74 T-10 Torx Bit

6680387A75 T-15 Torx Bit

6680387A77 T-25 Torx Bit

Insertion and Extraction Tool

Installs and/or removes wires from accessory connector.

6680163F01 Insertion and Extraction Tool



6680163F01

Crimping Tool

For custom installations requiring crimping of Mini-UHF RF connector.

6680388A26 Crimping Tool



6680388A26

Battery Cable Adapter

6680388A13 Side Mount Battery Cable Adapter



6680388A13

Service Tools

Program/Test Cable

Required to program radio; acts as a link between RIB and radio.

3080070N01 Program/Test Cable



RLN4137A

Test Adapter

Used to manually key radio. Must be attached to Program/Test Cable

RLN4137A Test Adapter

VCO Test Cable

Provides interface between RF Board and Test Equipment.

3080373B41 VCO Test Cable

Computer Interface Cable

Used to connect computer's serial adapter to Radio Interface Box.

3080369B71 Computer Interface Cable; RIB to 25 pin D

3080369B72 Computer Interface Cable; RIB to 9 pin D



RLN4008E

Radio Interface Box

Links radio programming cable and computer interface together. Provides required voltage shift to enable communications between radio and computer. Requires computer interface cable, radio programming and a 9 volt snap type battery (6082728J01) or wall mount power supply, order separately.

RLN4008E Radio Interface Box

MARATRAC Series

Service Aids, Manuals

Service Aids



0180357A57

Wall Mounted Power Supply

Used to supply power to Radio Interface Box.

0180357A57 Wall Mounted Power Supply, 110 volts

0180358A56 Wall Mounted Power Supply, 220 volts

Service Manuals

- | | |
|-------------------|-------------------------------|
| 6880102W95 | Service Manual, T81XTA Series |
| 6880102W94 | Service Manual, MARATRAC VHF |
| 6880102W21 | Service Manual, MARATRAC UHF |

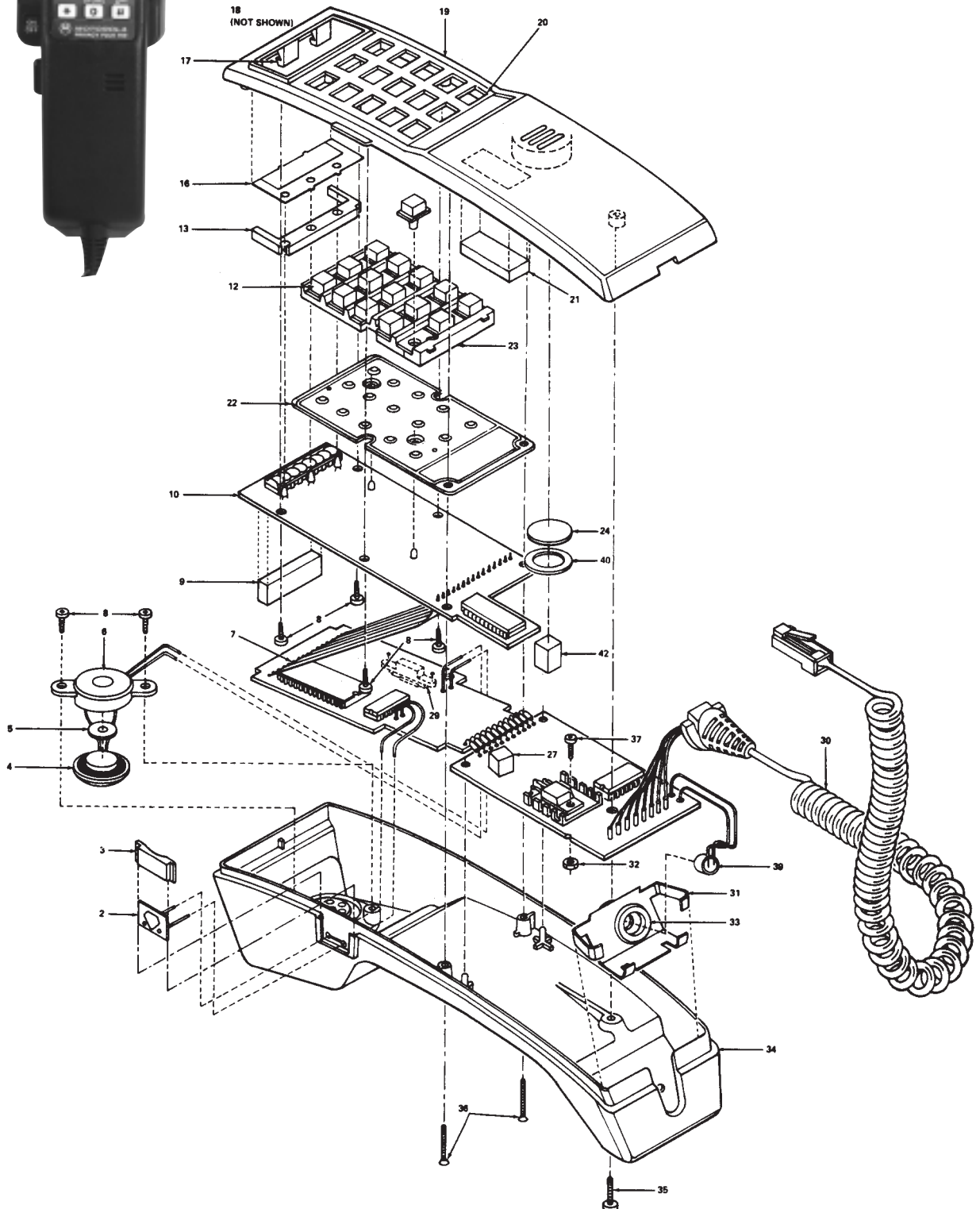
Programming Software

Utilizing your personal computer, this software enables you to add or reprogram frequencies as your requirements change. Compatible with IBM XT, AT, Model 30, 50, 60, and 80. Requires Radio Interface Box and proper cables; order separately.

RVN4023F Programming Software, 3-1/2" Diskette (includes binder and manual)

PRIVACY PLUS 250/750 Series

Parts List



Replacement parts are no longer available

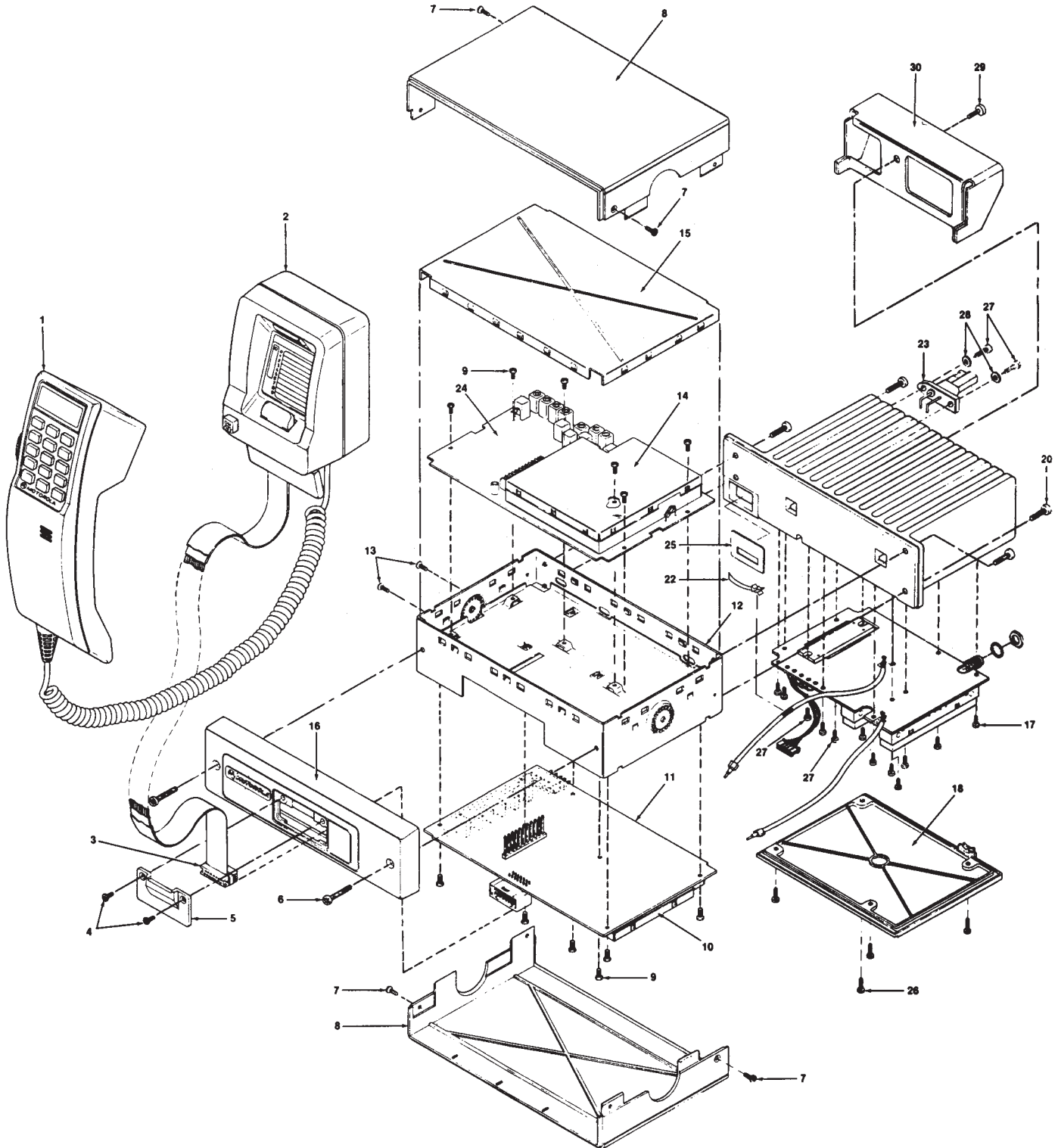
PRIVACY PLUS 250/750 Series*Parts List***Privacy Plus Control Unit**

REF. NO.	PART NO.	DESCRIPTION	REF. NO.	PART NO.	DESCRIPTION
-------------	----------	-------------	-------------	----------	-------------

***Cancelled Product Privacy Plus 250/750:
Aftermarket support criteria has been met for
spare parts. Items are no longer available.***

PRIVACY PLUS 250/750 Series

Parts List



Replacement parts are no longer available

PRIVACY PLUS 250/750 Series

Parts List

Privacy Plus Radio Unit

REF. NO.	PART NO.	DESCRIPTION	REF. NO.	PART NO.	DESCRIPTION
----------	----------	-------------	----------	----------	-------------

**Cancelled Product Privacy Plus 250/750:
Aftermarket support criteria has been met for
spare parts. Items are no longer available.**



PRIVACY PLUS 250/750 Series

Accessories, Service Aids

Miscellaneous Accessories



5880367B22 Mini-UHF to UHF Adapter

2880376E84 Mini-UHF Antenna Connector

HSN4019B 5 watt External Speaker

HKN4192B 17' Fused Negative Ground
Cable Kit

External Alarm

Both of the following kits must be ordered for field installation of external alarm.

HKN9308A External Alarm Cable Kit
(Not compatible with HKN9309A)

5900813674 External Alarm Relay Kit
(Not compatible with HKN9309A)



HKN9308A

Mounting Hardware

Provides enhanced accessibility for both you and your passengers.

TRN9524A Standard Hinge Moun

HLN9100B Radio Mounting Tray with
installation hardware



HLN9100B

Service Aids

Program/Test Cable

Required to program radio, acts as a link between Radio Interface Box and radio.

3080070N01 Program/Test Cable

VCO Test Cable

Provides interface between RF board and test equipment.

3080373B41 VCO Test Cable

PRIVACY PLUS 250/750 Series

Service Aids, Manuals

Service Aids

Computer Interface Cable

Used to connect computer's serial adapter to Radio Interface Box.

3080369B71 Computer Interface Cable; RIB to 25 pin D

3080369B72 Computer Interface Cable; RIB to 9 pin D

Radio Interface Box

Links radio programming cable and computer interface together. Provides required voltage shift to enable communications between radio and computer. Requires computer interface cable, radio programming and a 9 volt snap type battery (6082728J01) or wall mount power supply. Order separately.

RLN4008E Radio Interface Box



RLN4008E



0180357A57

Wall Mounted Power Supply

Used to supply power to Radio Interface Box.

0180357A57 Wall Mounted Power Supply, 110 volts

0180358A56 Wall Mounted Power Supply, 220 volts

Service Aids

Programming Software

Utilizing your personal computer, this software enables you to add or reprogram frequencies as your requirements change. Compatible with IBM XT, AT, Model 30, 50, 60 and 80. Requires Radio Interface Box and proper cables; order separately.

RVN4043P Programming Software, 3-1/2" Diskette (Includes Binder and Manual)

Manuals

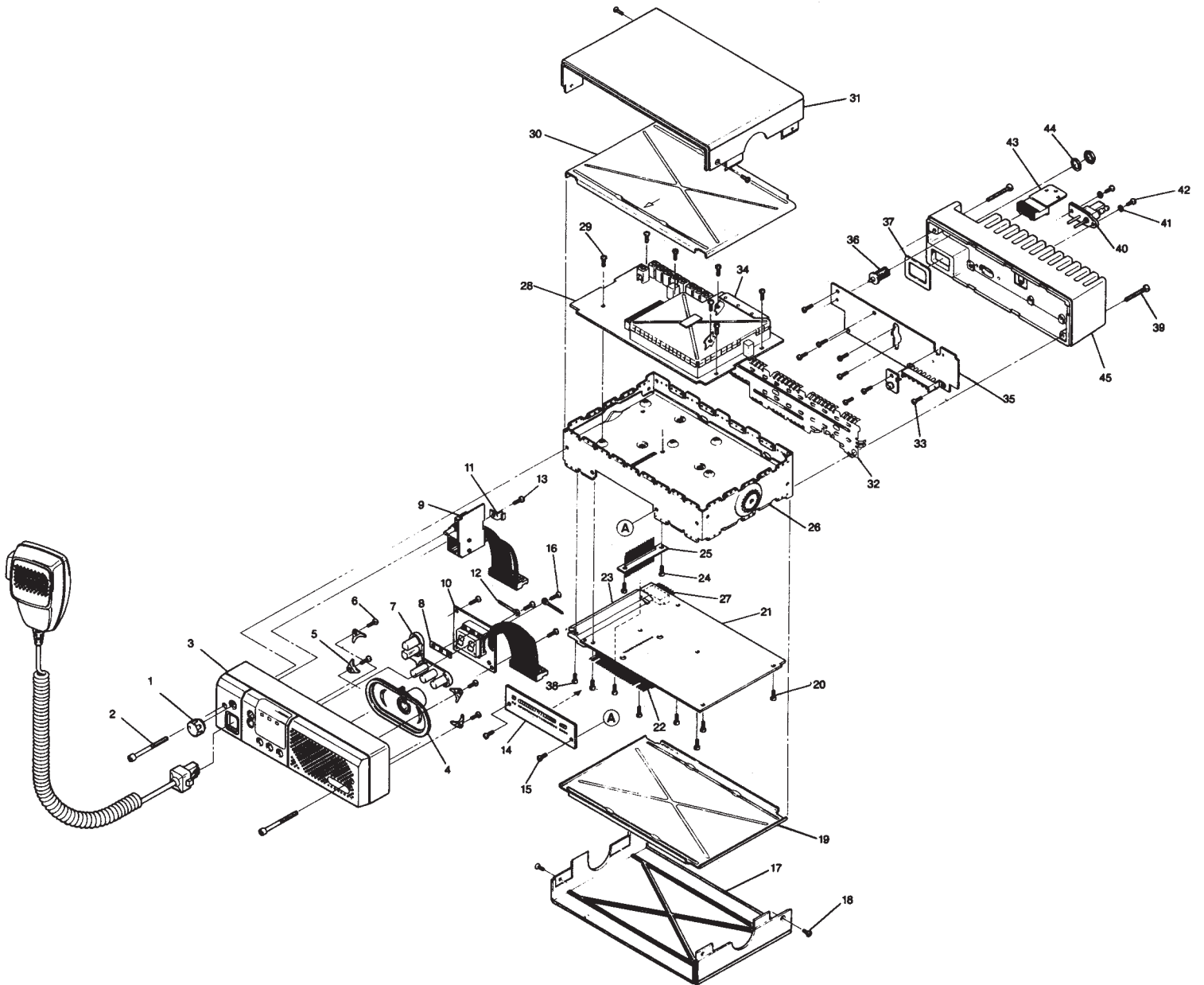
6881078E55 Instruction Manual

6881121E55 User Manual

6881121E56 User Card-250

6881121E57 User Card-750

Parts List



GM300 Series

Parts List

REF. NO.	PART NO.	DESCRIPTION	REF. NO.	PART NO.	DESCRIPTION
1	3680106M03	Knob, control	24	0310943M09	Screw (M3.0 x 6.0); 2 used
2	0380270L01	Screw (M4.0 x 0.7 x 38) cap blk; 2 used	25	0180605B01	Feedthrough Assembly, RF/logic
3	1580516B01	Housing, front-panel, 8/16 freq.	26	2780496B01	Chassis
4	5080085D03	Speaker	27	2880923V01	Connector, 16 pin
5	4280253L01	Bracket, speaker; 4 used	28	---	Rf Bd.
6	0310945A11	Screw (M3.0 x 8.0) plastite; 2 used	29	0310943M09	Screw (M3.0 x 6.0); 7 used
7	7580517B01	Keypad, elastomeric, 8/16 freq.	30	2680498B01	Shield, chassis
8	3280039M01	Gasket, LED	31	1580127L01	Cover, housing
9	HLN8071B	Vol/Mic, cable assembly	32	2680223M07	Shield, PA
10	HLN8075A	Display PCB assembly, 8/16 freq.	33	0310943M10	Screw (M3.0 x 8.0); 8 used
11	0780037M01	Bracket, PCB retainer	34	2680229L03	Shield, VCO
12	2900129883	Lug	35	---	
13	0310945A11	Screw (M3.0 x 8.0) plastite	36	0980131M01	Antenna Connector, mini UHF
14	0180704Y83	Front Panel Filter PCB	37	3280014N03	Gasket, accessory connector
15	0310943M09	Screw (M3.0 x 6.0); 2 used	38	0310943M10	Screw (M3.0 x 8.0); 2 used
16	0310945A11	Screw (M3.0 x 8.0) plastite; 4 used	39	0380271L01	Screw (M4.0 x 27); 2 used
17	1580127L01	Cover, housing	40	0980255E01	Power Connector
18	0310943R55	Screw (M3.0 x 8.0); 4 used	41	0482418B09	Washer, power connector
19	0104001J47	Shield, chassis	42	0380043L01	Screw (M3.0 x 10); 2 used
20	0310943M09	Screw (M3.0 x 6.0); 6 used	43	0180701Y58	Connector Assembly
21	---	Logic Board	44	0480943V01	Lockwasher, antenna connector
22	2880600B02	Connector, 27 pin, J8 & J9	45	2680124L03	Heatsink, PA
23	2680497B01	Heatsink, logic board			

GM300 Series

Mobile Accessories

General Accessories

HLN8375A DTMF Decoder Board (GM300—16 channel model only)

HLN9457A Hardware Kit for use with the expanded accessory connector (includes 16 connector pins, (9) 8" wires with pins attached and an extra housing)

HLN9573A Shorting Plug Kit for microphone jack—used when application calls for a deskset (covers microphone jack)

Microphones and Accessories

HMN3596A Compact Palm Microphone with 7 Foot Coil Cord

HMN1035C Heavy Duty Palm Microphone with 10.5 Foot Coil Cord

HMN1037B Non-Backlit Touch-Code Microphone with Hang-Up Clip

AAREX4617A Telephone-style Handset Kit

HLN9073B Microphone Hang-Up Clip (all microphones)



HMN3596A



HMN1035C



HMN1037B

HLN9559A 7 Foot Coil Cord for Microphones (HMN1056 and HMN1035)

HLN9560A 10.5 Foot Extended Coil Cord for heavy duty microphones

External Speaker

HSN8145B 7.5 Watt External Speaker—for receiver audio



HSN8145B

Control Station Accessories

HKN4139C Power Cable for low control station 12V (1-45 watt models) for control stations shipped before 4/93

HLN3199C High Power Control Station Package (25-60 watt models)

HKN9455A Power Cable for high power control station (25-60 watt models) for control stations shipped before 4/93

HPN4002B Power Supply and Cable (1-25 watt)

HPN4001B Power Supply and Cable (25-60 watt models)

HMN3000B Desk Microphone, black

HMN1038E Desk Microphone, beige

HLN5292BR Base Station Tray

HKN9088B Mobile Mini-U Antenna Adapter – 8 foot cable



HMN1038E



HPN4002B

GM300 Series

Mobile Accessories

Public Address Accessories

HLN3145CR Public Address Kit (requires the HSN1000 accessory; includes 2 cables for mobile connection to public address box to speaker cables)

HKN9324AR 15 Foot Public Address/Speaker Cable (one cable per speaker)



HSN1000B 6 Watt Amplified Eternal Speaker for public address audio (minimum of 1 required)

Alarm Accessories

HLN9328C External Alarm Relay Cable—horn and lights

HLN9329B Emergency Push Button Alarm Cable

HLN9330B Emergency Footswitch Alarm Cable (GM300—16 channel only)



Installation Accessories

HKN4137A Low Power Cable to Battery

HKN9327BR Ignition Switch Cable

HKN9557A PL259/Mini-U Antenna Adapter—8" cable (not recommended for 800 MHz)

2880376E84 Mini-U Connector (all bands)



Mounting Accessories

HLN9284A Key Lock Mounting Bracket

HLN5189A Non-Locking Bracket

HLN8413A Slide Mount Tray Bracket for vehicle floor hump mount

HLN9404A Sleeve Mounting Bracket

HLN9450A 45-60 degree Floor Mount Wedge (GM300 – requires HLN9404 or HLN9100)

HLN9100B Three Point Mounting Bracket (for use with HLN9450)



Accessories, Antennas, Aids

Mounting Accessories

HLN5226B Extra Stability Mount

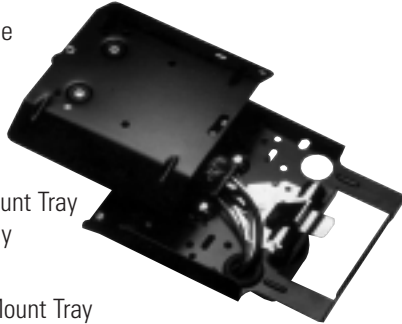
HLN8097A Removable Slide Mount Tray Package (a maximum of two external accessory wires can be attached to the slide tray)

HLN8098A Radio Slide Mount Tray (vehicle half of the slide tray package—HLN8097)

HLN8099A Vehicle Slide Mount Tray (vehicle half of the slide tray package—HLN8097)

HLN8144B Remote Mount Kit—8 foot (assumes use of power cable provided with radio)

HLN9027A In-Dash Bezel Mounting Kit



HLN8097A

Antennas

VHF

HAD4014A VHF 3 dB Gain Roof Mount Antenna, 140-174 MHz

HAD4006A VHF 1/4 Wave Roof Mount Antenna, 136-144 MHz

HAD4007A VHF 1/4 Wave Roof Mount Antenna, 144-152 MHz

HAD4008A VHF 1/4 Wave Roof Mount Antenna, 150.8-162 MHz

HAD4009A VHF 1/4 Wave Roof Mount Antenna, 162-174 MHz



HAD4009A

Antennas

UHF

HAE4002A UHF 1/4 Wave Roof Mount Antenna, 403-430 MHz

HAE4003A UHF 1/4 Wave Roof Mount Antenna, 450-470 MHz

HAE4004A UHF 1/4 Wave Roof Mount Antenna, 470-512 MHz

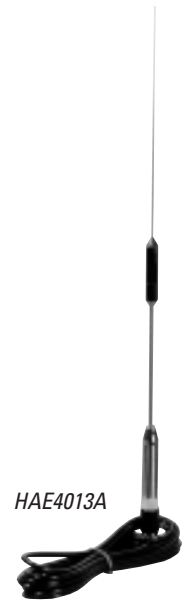
HAE4010A UHF 3.5 dB Gain Roof Mount Antenna, 406-420 MHz

HAE4011A UHF 3.5 dB Gain Roof Mount Antenna, 450-470 MHz

HAE4012A UHF 3.5 dB Gain Roof Mount Antenna, 470-495 MHz

HAE4013A UHF 3.5 dB Gain Roof Mount Antenna, 494-512 MHz

RAE4004ARB UHF 5 dB Gain Roof Mount Antenna, 450-470 MHz



HAE4013A

Service Aids

Computer Interface Cable

Used to connect computer's serial port to Radio Interface Box.

3080369B71 Computer Interface Cable; RIB to 25 pin D

3080369B72 Computer Interface Cable; RIB to 9 pin D

Radio Interface Box

Links radio programming cable and computer interface together. Provides required voltage shift to enable communications between radio and computer. Requires computer interface cable, radio programming cable and a 9 volt snap type battery (6082728J01) or wall mount power supply. Order separately.

RLN4008E Radio Interface Box



RLN4008E

GM300 Series

Service Aids, Tools, Manuals

Service Aids



0180357A57

Wall Mounted Power Supply

Used to supply power to Radio Interface Box.

0180357A57 Wall Mounted Power Supply (110 volts)

0180358A56 Wall Mounted Power Supply (220 volts)

Programming Software

This software enables you to add or reprogram frequencies as your requirements change. Compatible with IBM XT, AT, Model 30, 50, 60 and 80. Requires Radio Interface Box and proper cables; order separately.

HVN8177F Programming Software, includes diskettes (3-1/2" and 5-1/4"), manual, binder, and storage box. Programs GM300, GR300, GR500, M10, M120 and M130 radios.

Program Test Cable

Acts as a link between RIB and radio; required to program radio

3080070N01 Program/Test Cable

Power Supply Cable

HKN4191B Power Supply Cable, High Power (60 watt), replaces HKN9402A

HKN4137A Mobile Power Cable, Low Power (25 watt)

Service Tools



RSX4043A

Torque Screwdriver

Measures the amount of torque being applied. Recommended for precise radio assembly. Bits must be ordered separately.

RSX4043A Adjustable Torque Screwdriver

Service Tools

Crimping Tool

For custom installations requiring crimping of Mini-UHF RF connector.

6680388A26
Crimping Tool



6680388A26

Test Adapter

Used to manually key radio. Must be attached to Program/Test Cable

RLN4137A Test Adapter



RLN4137A



6680388A13

Battery Cable Adapter

6680388A13 Side Mount Battery Cable Adapter

Antenna Adapter

5880367B22 Mini-UHF Adapter

2880376E84 Mini-UHF Adapter



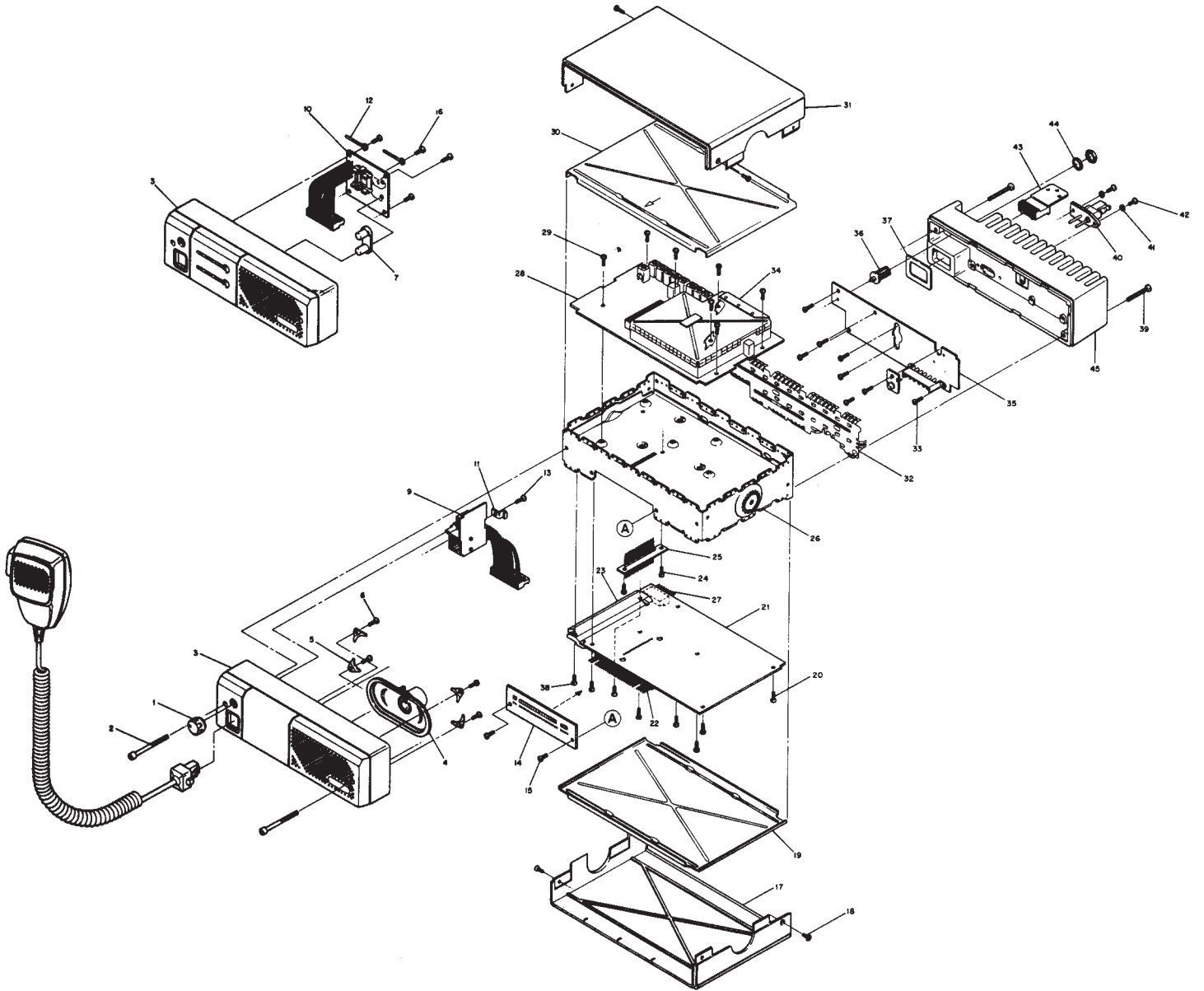
5880367B22

Manuals

6880902Z09 Owners Manual

6880902Z32 Service Manual

Parts List



Replacement parts are no longer available

M10 Series

Parts List

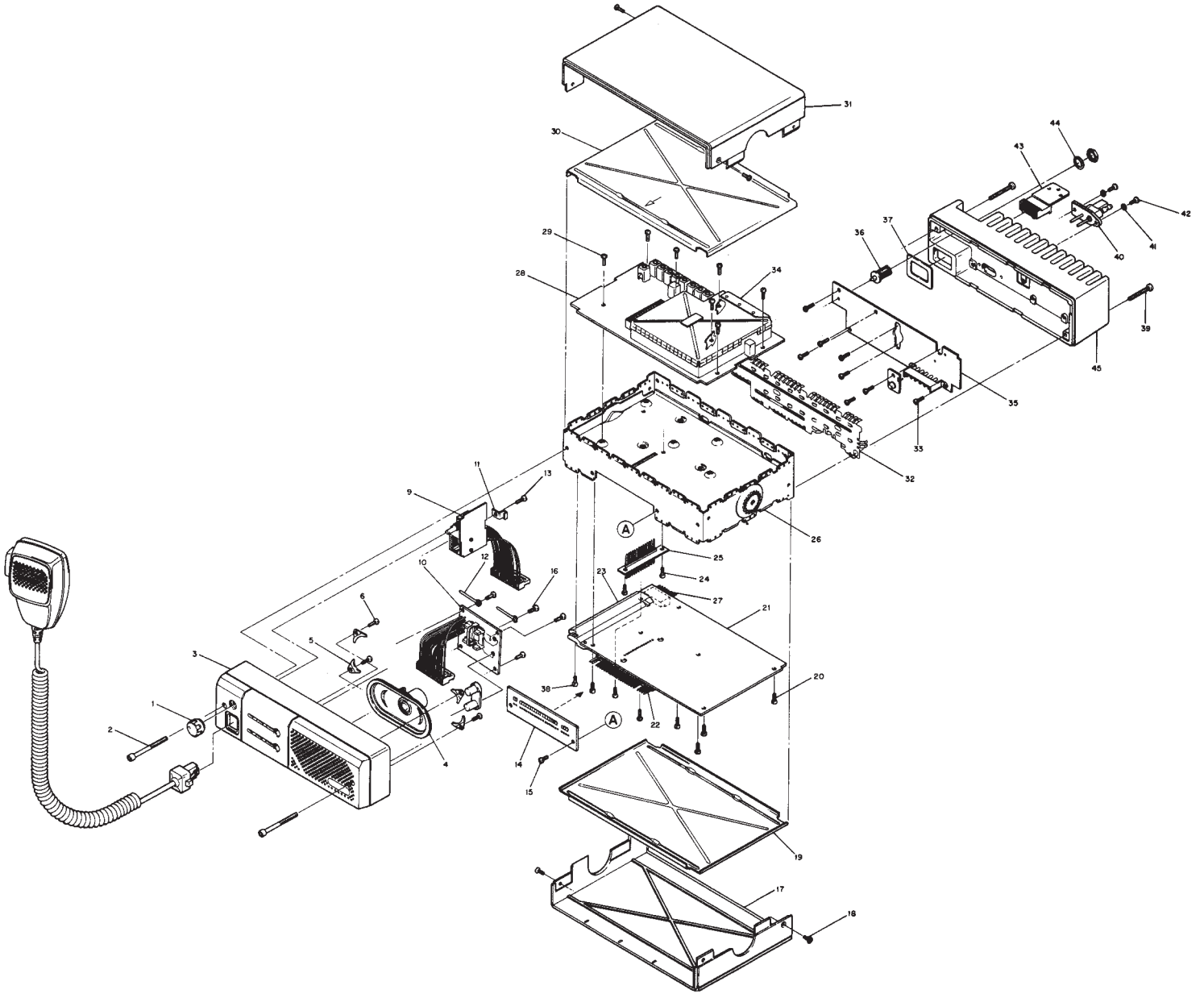
REF. NO.	PART NO.	DESCRIPTION
-------------	----------	-------------

REF. NO.	PART NO.	DESCRIPTION
-------------	----------	-------------

***Cancelled Product M10:
Aftermarket support criteria has
been met for spare parts. Items
are no longer available.***



Parts List



Replacement parts are no longer available

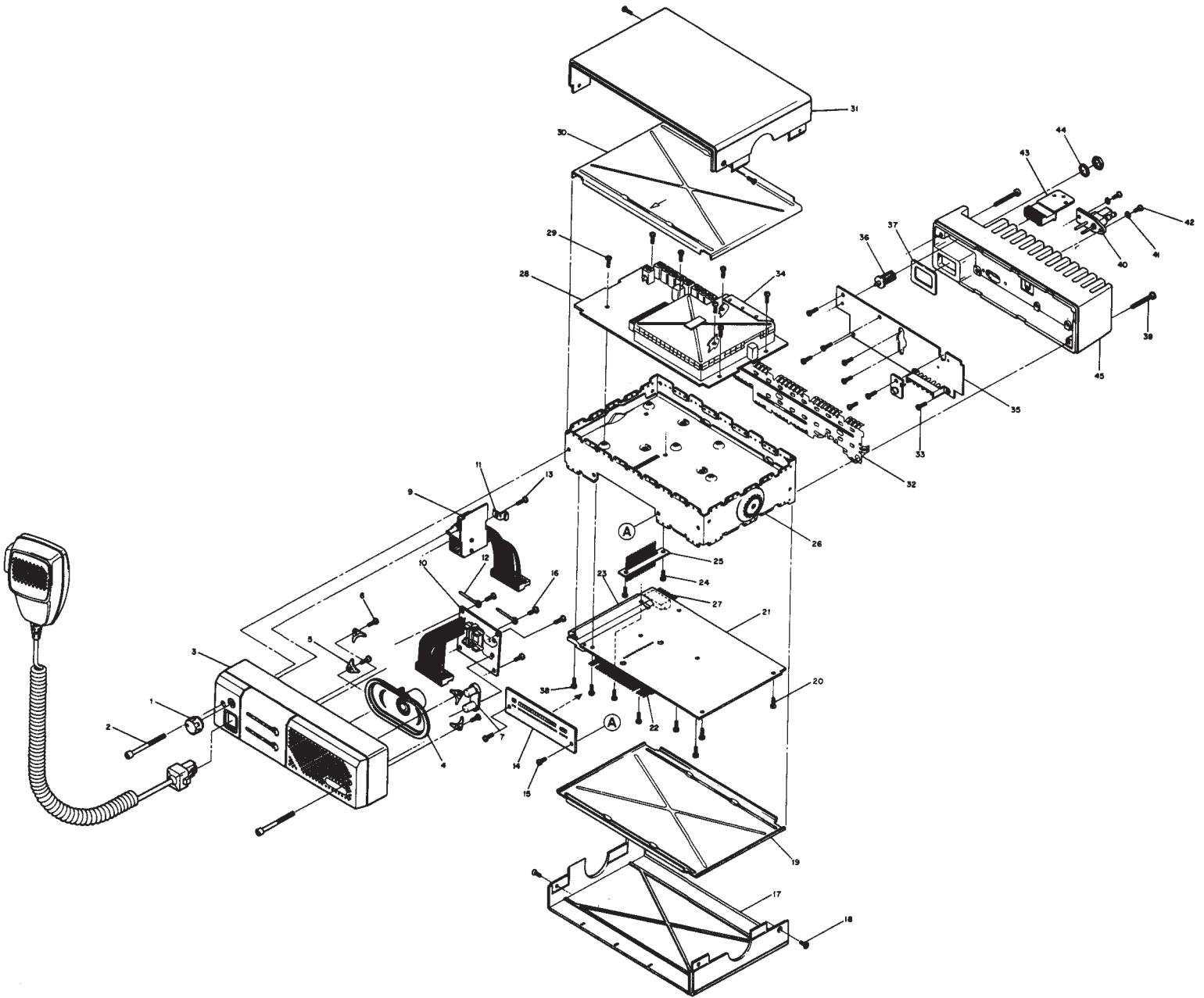
M120 Series**Parts List**

REF. NO.	PART NO.	DESCRIPTION	REF. NO.	PART NO.	DESCRIPTION
-------------	----------	-------------	-------------	----------	-------------

***Cancelled Product M120:
Aftermarket support criteria has
been met for spare parts. Items
are no longer available.***

M10/M120/M130 Series

Parts List

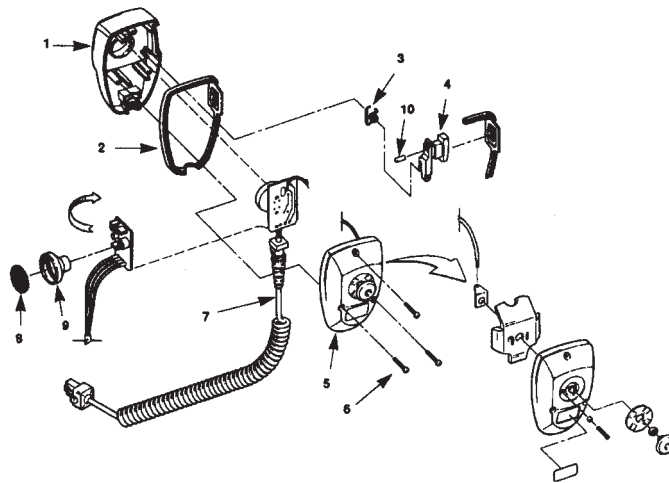


Replacement parts are no longer available

M10/M120/M130 Series

Parts List

REF. NO.	PART NO.	DESCRIPTION	REF. NO.	PART NO.	DESCRIPTION
1	3680106M03	Knob, control	24	0310943M09	Screw (M3 x 6.0); 2 used
2	0380270L01	Screw (M4 x 0.7 x 38) cap blk; 2 used	25	2804637J01	Feedthrough Assembly, RF/logic
3	1580516B02	Housing, front-panel, 2 frequency	26	2780496B01	Chassis
4	5004639J01	Speaker	27	2880923V01	Connector, 16 pin
5	4280253L01	Bracket, speaker; 4 used	28	---	RF Board
6	0310945A11	Screw (M3 x 8.0) plastite; 4 used	29	0310943M09	Screw (M3 x 6.0); 7 used
7	7580541C01	Keypad, elastomeric, 2 frequency	30	0104001J47	Shield, chassis
9	HLN8071	Vol/Mic. PCB Assembly	31	1580127L01	Cover, housing
10	HLN8439	Display PCB Assembly, 2 frequency	32	2680223M07	Shield, PA
11	0780037M01	Bracket, PCB retainer	33	0310943M10	Screw (M3 x 8.0); 8 used
12	2900129883	Lug; 2 used	34	2680229L03	Shield, VCO
13	0310945A11	Screw (M3 x 8.0) plastite	35	---	
14	0180704Y83	Front Panel Filter PCB	36	0980131M01	Antenna Connector, mini UHF
15	0310943M09	Screw (M3 x 6.0); 2 used	37	3280014N03	Gasket, accessory connector
16	0310945A11	Screw (M3 x 8.0) plastite; 4 used	38	0310943M10	Screw (M3 x 8.0); 2 used
17	1580127L01	Cover, housing	39	0380271L01	Screw (M4 x 27); 2 used
18	0310943R55	Screw (M3 x 8.0); 4 used	40	0980255E01	Power Connector
19	0104001J47	Shield, chassis	41	0482418B09	Washer, power connector
20	0310943M09	Screw (M3 x 6.0); 6 used	42	0310943M11	Screw (M3 x 10); 2 used
21	---	Logic Board	43	0180701Y58	Connector Assembly
22	2880600B02	Connector, 27 pin, J8 & J9	44	0480943V01	Lockwasher, antenna connector
23	2680497B01	Heatsink, logic board	45	2680124L03	Heatsink, PA



Microphone

REF. NO.	PART NO.	DESCRIPTION	REF. NO.	PART NO.	DESCRIPTION
1	1580566B02	Front Housing	6	0311994A23	Screws (5-20 x 7/8); 3 used
2	3280565B01	Gasket, Microphone	7	3080978Z03	Coil Cord, microphone
3	4180150R01	Spring	8	3580132R01	Felt, baffle, microphone
4	3880568B01	PTT Button	9	0580149R01	Grommet, microphone
5	0180704Y99	Rear Housing, riveted	10	7580983Z03	Rubber Spacer, switch

M10/M120/M130 Series

Mobile Accessories

General Accessories

HLN9457A Hardware Kit for use with the expanded accessory connector (includes 16 connector pins, (9) 8" wires with pins attached and an extra housing)

HLN9573A Shorting Plug Kit for microphone jack—used when application calls for a deskset (covers microphone jack)

Microphones

HMN3001A Compact Microphone with LED Indicator, 10 foot coil cord and hang-up clip



HMN1035C

HMN3596A Compact Palm Microphone with 7 foot coil cord

HMN1035C Heavy Duty Palm Microphone with 10.5 foot coil cord

HMN1037B Non-Backlit Touch-Code Microphone with Hang-Up Clip

HLN9073B Microphone Hang-Up Clip (all microphones)

HLN9559A 7 Foot Coil Cord for microphones (HMN1056 and HMN1035)

HLN9560A 10.5 Foot Extended Coil Cord for heavy duty microphones

AAREX4617A Telephone Style Headset Kit

Control Station Accessories

HKN4139A Power Cable for low control station 12V (1-45 watt models) for control stations shipped before 4/93

HLN3199C High Power Control Station Package (25-60 watt models)

HKN9455A Power Cable for high power control station (25-60 watt models) for control stations shipped before 4/93

HPN4002B Power Supply and Cable (1-25 watt)

HPN4001B Power Supply and Cable (25-60 watt models)

HMN3000B Desk Microphone, black

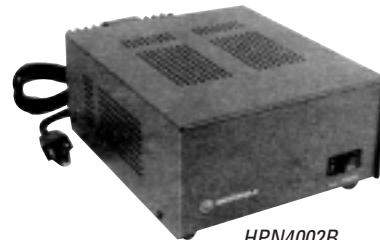
HMN1038E Desk Microphone, beige

HLN5292BR Base Station Tray

HKN9088B Mobile Mini-U Antenna Adapter—8 foot cable



HMN1038E



HPN4002B

M10/M120/M130 Series

**Mobile
Accessories**

Public Address Accessories



HSN1000B

HKN9324BR 15 Foot Public Address/Speaker Cable (one cable per speaker)

HSN1000B 6 Watt Amplified External Speaker for public address audio (minimum of 1 required)

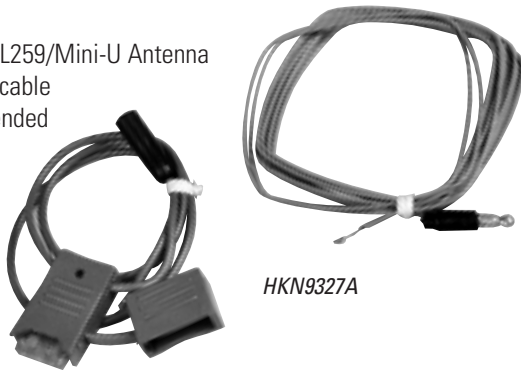
Installation Accessories

HKN4137A Low Power Cable to Battery

HKN4191B High Power Cable to Battery

HKN9327A Ignition Switch Cable (SM50/SM120/M1225 – requires HLN9242)

HKN9557A PL259/Mini-U Antenna Adapter—8" cable (not recommended for 800 MHz)



HKN9327A

2880376E84 Mini-U Connector (all bands)

Mounting Accessories

HLN9284A Key Lock Mounting Bracket

HLN5189A Non-Locking Bracket

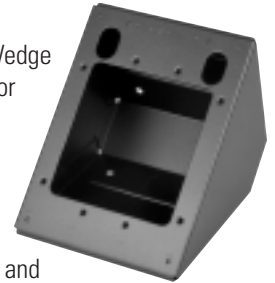
HLN8413A Slide Mount Tray Bracket for vehicle floor hump mount

HLN9404A Sleeve Mounting Bracket

HLN9450A 45-60 degree Floor Mount Wedge (M130 and GM300 – requires HLN9404 or HLN9100/M208-M216 – requires HLN9404)

HLN9100B Three Point Mounting Bracket (for use with HLN9450)

HLN5226B Extra Stability Mount (M130 and GM300—for use with HLN5189 —non-locking mounting bracket)

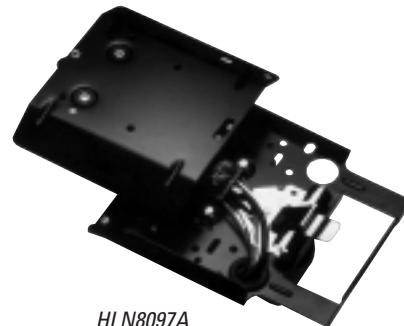


HLN9450A

HLN8097A Removable Slide Mount Tray Package (a maximum of two external accessory wires can be attached to the slide tray)

HLN8098A Radio Slide Mount Tray (vehicle half of the slide tray package— HLN8097)

HLN8099A Vehicle Slide Mount Tray (vehicle half of the slide tray package—HLN8097)



HLN8097A

HLN8144B Remote Mount Kit—8 foot (assumes use of power cable provided with radio)

HLN9027A In-Dash Bezel Mounting Kit

Alarm Accessories

HLN9328C External Alarm Relay Cable—horn and lights

M10/M120/M130 Series

Antennas, Service Tools

Antennas

VHF

HAD4007A VHF 1/4 Wave Roof Mount Antenna, 144-152 MHz

HAD4008A VHF 1/4 Wave Roof Mount Antenna, 150.8-162 MHz

HAD4009A VHF 1/4 Wave Roof Mount Antenna, 162-174 MHz

HAD4014A VHF 3 dB Gain Roof Mount Antenna, 140-174 MHz

UHF

HAE4003A UHF 1/4 Wave Roof Mount Antenna, 450-470 MHz

HAE4004A UHF 1/4 Wave Roof Mount Antenna, 470-512 MHz

HAE4011A UHF 3.5 dB Gain Roof Mount Antenna, 450-470 MHz

HAE4012A UHF 3.5 dB Gain Roof Mount Antenna, 470-495 MHz

HAE4013A UHF 3.5 dB Gain Roof Mount Antenna, 494-512 MHz

RAE4004ARB UHF 5 dB Gain Roof Mount Antenna, 450-470 MHz



Service Tools

Torque Screwdriver

Measures the amount of torque being applied. Recommended for precise radio assembly. Bits must be ordered separately.

RSX4043A Adjustable Torque Screwdriver



Crimping Tool

For custom installations requiring crimping of Mini-UHF connector.

6680388A26 Crimping Tool



Test Adapter

Used to manually key radio. Must be attached to Program/Test Cable

RLN4137A Test Adapter



Battery Cable Adapter

6680388A13 Side Mount Battery Cable Adapter



Antenna Adapter

5880367B22 Mini-UHF Adapter

2880376E84 Mini-UHF Connector



M10/M120/M130 Series

Service Aids, Manuals

Service Aids

Computer Interface Cable

Used to connect computer's serial port to Radio Interface Box.

3080369B71 Computer Interface Cable; RIB to 25 pin D

3080369B72 Computer Interface Cable; RIB to 9 pin D

Radio Interface Box

Links radio programming cable and computer interface together. Provides required voltage shift to enable communications between radio and computer. Requires computer interface cable, radio programming cable and a 9 volt snap type battery (6082728J01) or wall mount power supply, order separately.

RLN4008E Radio Interface Box



RLN4008E

Wall Mounted Power Supply

Used to supply power to Radio Interface Box.

0180357A57 Wall Mounted Power Supply (110 volts)

0180358A56 Wall Mounted Power Supply (220 volts)



0180357A57

Service Aids

Programming Software

This software enables you to add or reprogram frequencies as your requirements change. Compatible with IBM XT, AT, Model 30, 50, 60 and 80. Requires Radio Interface Box and proper cables; order separately.

HVN8177F Programming Software, includes diskettes (3-1/2" and 5-1/4"), manual, binder, and storage box. Programs GM300, GR300, GR500, M10, M120 and M130 radios.

Program/Test Cable

Acts as a link between RIB and radio; required to program radio.

3080070N01 Program/Test Cable

Power Supply Cable

HKN4191B Power Supply Cable, High Power (60 watt), replaces HKN9402A

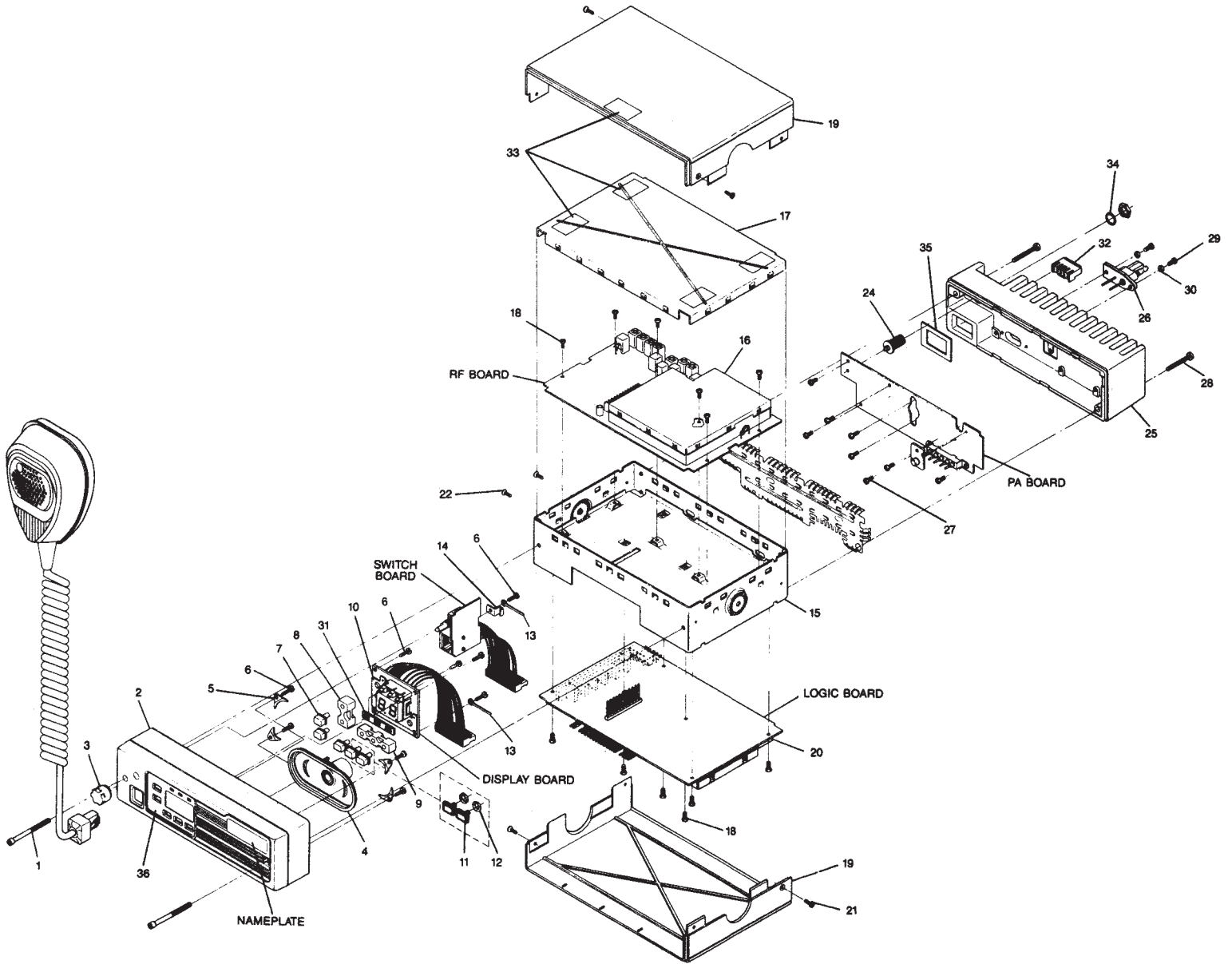
HKN4137A Mobile Power Cable, Low Power (25 watt)

Manuals

6880903Z03	M10 Service Manual
6880903Z05	M10 Owner's Manual
6880902Z98	M120 Service Manual
6880902Z97	M120 Owner's Manual
6880902Z96	Operator's Card
6880903Z65	M130 Service Manual
6880903Z67	M130 RSS Manual

M208/M216 Series

Parts List



M208/M216 Series

Parts List

REF. NO.	PART NO.	DESCRIPTION	REF. NO.	PART NO.	DESCRIPTION
1	0380270L01	Front Mounting Screw; 2 used	19	1580127L01	Cover, housing; 2 used
2	1580074M05	Control Head Housing	20	1580124M01	Cover, logic shield
3	3680106M02	Control Knob	21	0310943R55	Taptite Screw (M3 x 8.0) flat; 4 used
4	5080085D02	Speaker	22	0310943R04	Taptite Screw (M2-5 x 8.0) flat; 2 used
5	4280253L01	Speaker Retainer; 4 used	23	2680223M05	Shield, PA, VHF & UHF
6	0310945A11	Plastic Screw; 9 used	24	0980131M01	Connector, antenna
7	3880272L02	Push Button (6 freq. models); 3 used (14 freq. models); 5 used	25	2680124L03	Heatsink, UHF & VHF
8	---	Push Button Spacer (1x2)	25	2680124L02	Heatsink, 800 MHz
9	4380275L01	Push Button Spacer (1x3)	26	0980255E01	Connector, power
10	7580201L01	Keypad	27	0310943M10	Taptite Screw (M3 x 3.0); 8 used
11	---	Button Plug; 2 used	28	0380271L01	Machine Screw (M4 x 27); 2 used
12	3280907T01	Gasket (6 freq. models only); 2 used	29	0380043L01	Taptite Screw (M3 x 10); 2 used
13	---	Wire Wrap; 2 used	30	0400131974	Washer; 2 used
14	0780037M01	Bracket Switch Board	31	3280039M01	Gasket
15	2780128L04	Chassis Frame	32	1580076M01	Housing, accessory connector
16	---	Cover, VCO shield	33	7580918T02	Pad, shock insulating; 5 used
17	2680038M03	Shield, chassis, RF	34	0400002636	Washer, int loc
18	0310943M09	Taptite Screw (M3 x 6.0); 12 used	35	3280014N03	Gasket, accessory connector
			36	1380277L05	Escutcheon (6 freq. models)
			36	1380277L01	Escutcheon (14 freq. models)

M208/M216 Series

Mobile Accessories

General Accessories

HLN9457A Hardware Kit for use with the Expanded Accessory Connector (includes 16 connector pins, (9) 8" wires with pins attached and an extra housing)

HLN9573A Shorting Plug Kit for Microphone Jack—used when application calls for a deskset (covers microphone jack)

REX4126A 5 Button—dust proof, quantity 5

Microphones and Accessories



HMN1056D

HMN1056D Compact Palm Microphone with 7 Foot Coil Cord

HMN1035C Heavy Duty Palm Microphone with 10.5 Foot Coil Cord

HMN1037C Non-Backlit Touch-Code Microphone with Hang-Up Clip

HLN9073B Microphone Hang-Up Clip (all microphones)

HLN9559A 7 Foot Coil Cord for Microphones (HMN1056 and HMN1035)



HMN1037C



HMN1035C

HLN9560A 10.5 Foot Extended Coil Cord for Heavy Duty Microphones

AAREX4617A Telephone Style Handset Kit

M208/M216 Series

**Mobile
Accessories**

Control Station Accessories



HMN1038D

HLN3199A High Power Control Station Package (25-60 watt models)

HKN9455A Power Cable for High Power Control Station (25-60 watt models) for control stations shipped before 4/93

HPN4001B Power Supply and Cable (25-60 watt models)

HMN3000B Desk Microphone (Black)

HMN1038D Desk Microphone (Beige)

HLN5292BR Base Station Tray

HKN9088B Mobile Mini-U Antenna Adapter—8 foot cable

Public Address Accessories

HKN9324BR 15 Foot Public Address/Speaker Cable (one cable per speaker)

HSN1000B 6 Watt Amplified External Speaker for public address audio (minimum of 1 required)

HSN9326A 5 Watt External Speaker for receiver audio (requires 16 pin options connector)



HKN9324BR



HSN1000B

Alarm Accessories

HLN9328C External Alarm Relay Cable—horn and lights

RLN5132A Emergency Push Button Alarm Cable

HLN9330B Emergency Footswitch Alarm Cable (GM300—16 channel only)

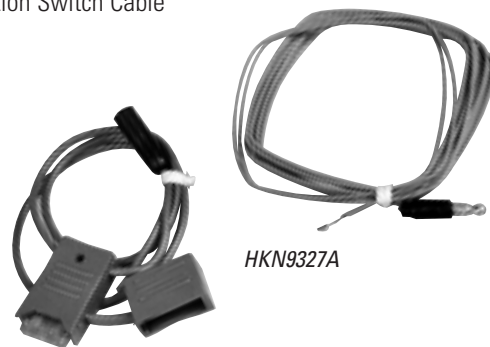


HLN9330B

Installation Accessories

HKN4191B High Power Cable to Battery

HKN9327A Ignition Switch Cable



HKN9327A



HKN9557A

HKN9557A PL259/Mini-U Antenna Adapter—8" cable (not recommended for 800 MHz)

2880376E84 Mini-U Connector (all bands)



2880376E84

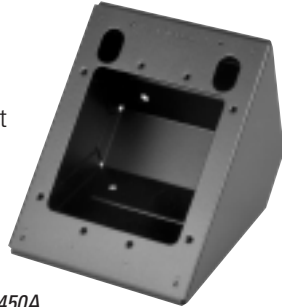
M208/M216 Series

Accessories, Antennas, Tools

Mounting Accessories

HLN9404A Sleeve Mounting Bracket

HLN9450A 45-60 degree Floor Mount Wedge M208-M216—requires HLN9404)



HLN9450A

Antennas

Low Band

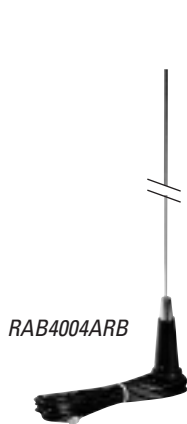
RAB4002ARB Standard Roof Mount Low Band 1/4 Wave Base Loaded Antenna, 29.7-36.0 MHz

RAB4003ARB Standard Roof Mount Low Band 1/4 Wave Base Loaded Antenna, 36-42 MHz

RAB4004ARB Standard Roof Mount Low Band 1/4 Wave Base Loaded Antenna, 42-50 MHz



RAB4002ARB



RAB4004ARB



RAB4003ARB

Service Tools

Torque Screwdriver

Measures the amount of torque being applied. Recommended for precise radio assembly. Bits must be ordered separately.

RSX4043A Adjustable Torque Screwdriver



RSX4043A

Crimping Tool

For custom installations requiring crimping of Mini-UHF connector.

6680388A26 Crimping Tool



6680388A26

Test Adapter

Used to manually key radio. Must be attached to Program/Test Cable

RLN4137A Test Adapter



RLN4137A



6680388A13

Battery Cable Adapter

6680388A13 Side Mount Battery Cable Adapter

Antenna Adapter

5880367B22 Mini-UHF Antenna Adapter

2880376E84 Mini-UHF Connector



5880367B22

M208/M216 Series

Service Aids, Manuals

Service Aids

Computer Interface Cable

Used to connect computer's serial port to Radio Interface Box.

3080369B71 Computer Interface Cable; RIB to 25 pin D

3080369B72 Computer Interface Cable; RIB to 9 pin D

Radio Interface Box

Links radio programming cable and computer interface together. Provides required voltage shift to enable communications between radio and computer. Requires computer interface cable, radio programming cable and a 9 volt snap type battery (6082728J01) or wall mount power supply; order separately.

RLN4008E Radio Interface Box



RLN4008E



0180357A57

Wall Mounted Power Supply

Used to supply power to Radio Interface Box.

0180357A57 Wall Mounted Power Supply (110 volts)

0180358A56 Wall Mounted Power Supply (220 volts)

Service Aids

Programming Software

This software enables you to add or reprogram frequencies as your requirements change. Compatible with IBM XT, AT, Model 30, 50, 60 and 80. Requires Radio Interface Box and proper cables; order separately.

RVN4135A This package includes six programming software disks and three manuals packaged in a single binder for the following radios:

Radio	Part Number	Disk Size	Manual
M100/M200 Series	HVN9173J	3.5"	M100/M200 Series
M110	HVN9646A	3.5" and 5.25"	
M400	HVN9774E	3.5"	M400
R100	HVN9177A	3.5" and 5.25"	R100

Program/Test Cable

Acts as a link between RIB and radio; required to program radio.

3080070N01 Program/Test Cable

Power Supply Cable

HKN4191B Power Supply Cable, High Power (60 watt), replaces HKN9402A

HKN4137A Mobile Power Cable, Low Power (25 watt)

Manuals

M200 Series

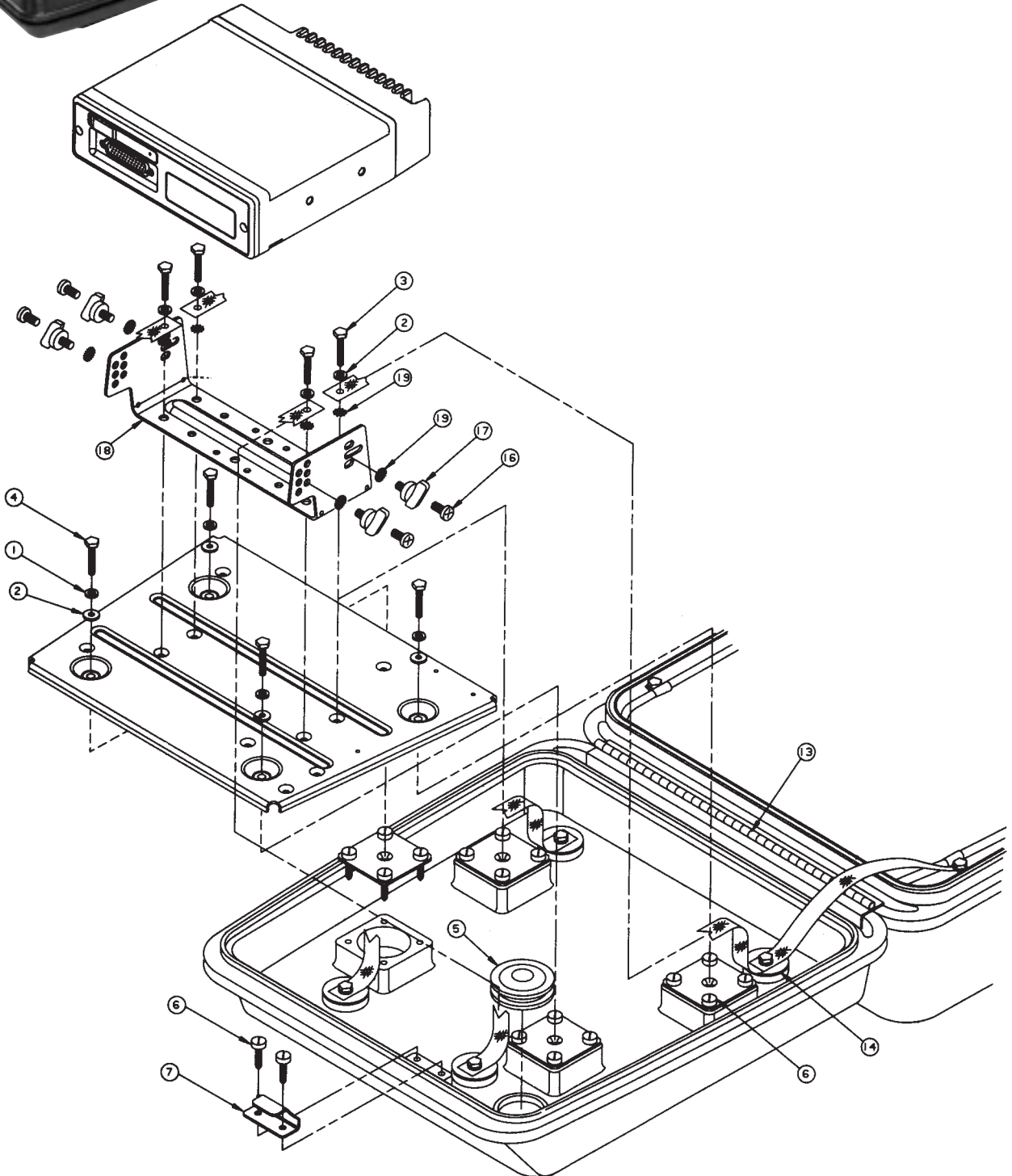
6880900Z45 RADIUS Mobile Owner's Manual

6880901Z50 M216 Operator's Card

6880101W58 M100/200 Series Service Manual

SPECTRA Motorcycle Radio

Parts List



SPECTRA Motorcycle Radio

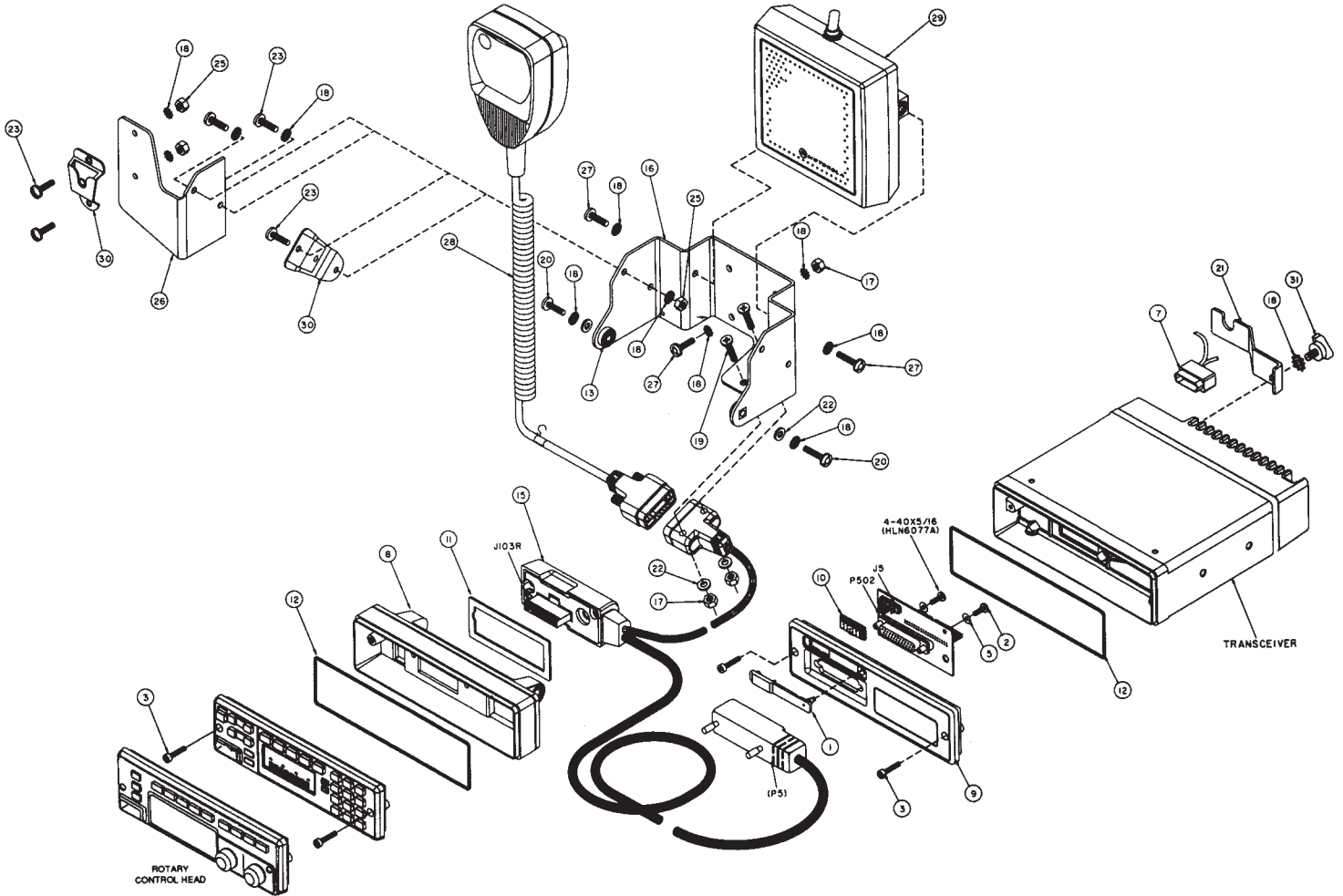
Parts List

Radio Enclosure Kit

REF. NO.	PART NO.	DESCRIPTION	REF. NO.	PART NO.	DESCRIPTION
1	0484336M01	Lockwasher; 4 used	-	---	Rivet; 10 used
2	0484338M01	Washer, flat; 8 used	14	---	Enclosure Mounting Hardware (see MXW6804)
3	0300040M08	Screw; 4 used	16	0380114M02	Screw M5 x 0.8 x 10 mm; 4 used
4	0384208M16	Screw; 4 used	17	0384244C06	Screw, wing; 4 used
6	0300007467	Screw (8-18 x 3/8); 18 used	18	0780086N02	Trunnion
7	5583818F01	Catch, lock	19	---	Lockwasher, external tooth; 8 used
-	---	Adapter; 4 used	NON-REFERENCED ITEMS		
-	---	Ring, retaining	(from HLN6168B and HLN6169B)		
-	4583015P01	Cam, lock		0380077M01	Screw, hex socket
-	5583817F01	Lock			
13	---	Hinge			

SPECTRA Motorcycle Radio

Parts List



SPECTRA Motorcycle Radio

Parts List

Control Head Mounting Parts

REF. NO.	PART NO.	DESCRIPTION	REF. NO.	PART NO.	DESCRIPTION
-		Motorcycle Hardware Kit SECURENET	23	0307644M19	Screw, machine (8-32 x 7/16); 4 used
-		Motorcycle Hardware Kit	25	0200001355	Nut, hex (8-32 x 5/16 x 1/8); 4 used
1	3880064P01	Cap, SECURENET connector	26	0780201P01	Bracket, extension
2	0310945A11	Screw, tapping (P3.12 x 1.27 x 8.0); 2 used	27	0380114M03	Screw, machine (M5 x 0.8 x 12 mm); 2 used
3	0380077M01	Screw, front mount; 4 used	28		Microphone and Coiled Cord Speaker
5	0483045H01	Washer, thrust; 2 used	29	---	(see exploded view)
7	3080010R02	Cable, accessory	30	HLN9073	Spring & Bracket Eyelet (HLN5391A)
8	1580293L02	Housing, back remote rework	31	0384244C06	Screw, wing; 5 used
9	1580062P07	Housing, front remote, SECURENET			
10	3280063P01	Gasket, SECURENET			
11	3280231M01	Gasket			
12	3280289L02	Gasket, housing			
13	4380128N01	Spacer, trunnion; 2 used			
15		Control-head Cable, 22-conductor			
-		Motorcycle Mounting Kit			
16	0780200P01	Bracket, control head/ speaker mounting			
17	---	Nut, hex (M5 x 0.8-6H x 8.87); 6 used			
18	0400007652	Lockwasher #10 ext; 19 used			
19	0380114M05	Screw, machine (M5 x 0.8 x 30 mm); 2 used			
20	0380114M04	Screw, machine (M5 x 0.8 x 16 mm); 2 used			
21	0780020R01	Bracket, accessory connector			
22	---	Washer (0.234 x 0.5 x 0.048); 4 used			

NON-REFERENCED ITEMS

0300138015	Self-drilling screw; 2 used*
0312002C01	Self-drilling screw*
0780257N01	Back-up plate*
2900824456	Lug*
0780127N02	Trunnion, remote**
1580062P04	Housing, front remote

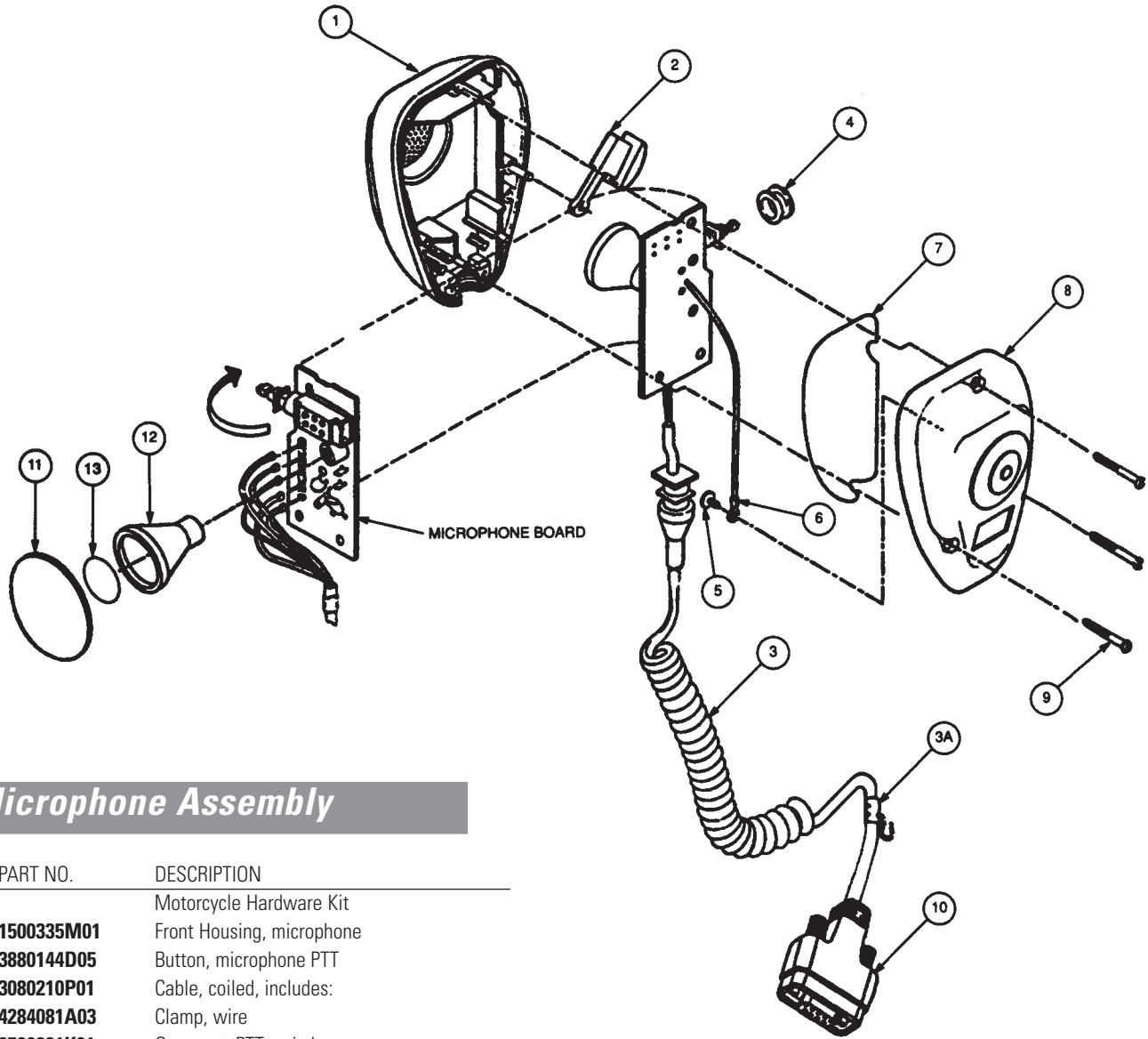
NOTES:

* These parts are provided in hang-up clip kit for mounting the hang-up clip on surfaces that are not metallic and/or are not grounded to the motorcycle chassis.

** Used to mount control head when speaker and control head are mounted separately.

SPECTRA Motorcycle Radio

Parts List

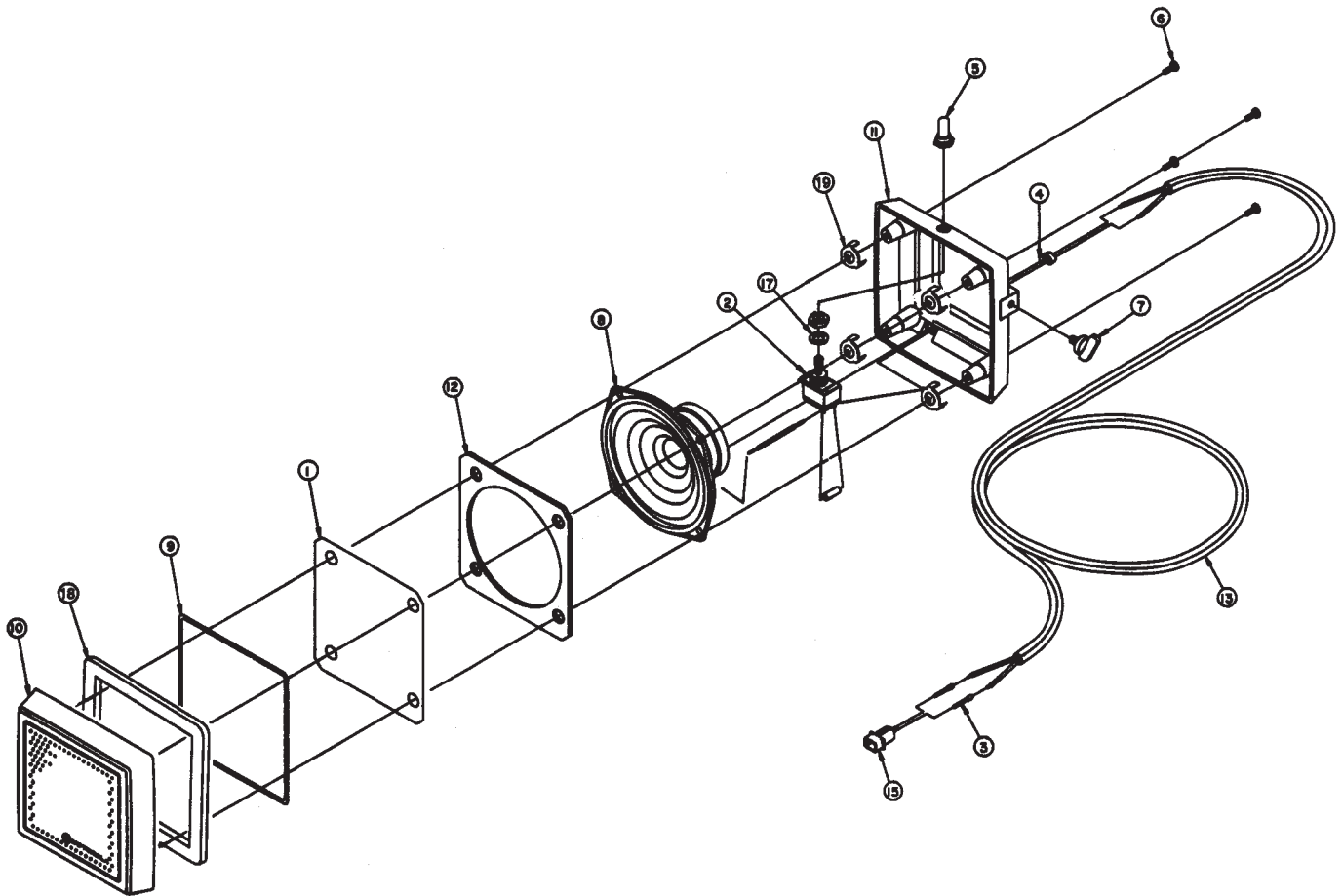


Microphone Assembly

REF.	NO.	PART NO.	DESCRIPTION
	-		Motorcycle Hardware Kit
	1	1500335M01	Front Housing, microphone
	2	3880144D05	Button, microphone PTT
	3	3080210P01	Cable, coiled, includes:
	3A	4284081A03	Clamp, wire
	4	0580221K01	Grommet, PTT switch
	5	0310943M09	Screw, tapping (TT3 x 0.5 x 6.0)
	6	3080206L01	Wire, pc board to weight
	7	3280058H03	Gasket, housing
	8	0180750T91	Rear Housing, microphone
	9	0380076E04	Screw, metric H-LO; 3 used
	10	0980218J01	Receptacle, microphone
	12	0580148D01	Grommet, microphone cartridge
	13	3580089D01	Microphone, felt

SPECTRA Motorcycle Radio

Parts List



Weather-Resistant Speaker

REF. NO.	PART NO.	DESCRIPTION
1	---	Cloth Grille
2	4083477E03	Switch, toggle, SPST
3	3910184A45	Contact, plug; 2 used
4	4282018H05	Cable Retainer
5	3206682F01	Seal, toggle switch
6	0300140001	Screw, tapping (6-19 x 7/8)
7	0384244C06	Screw, wing, black shadow
8	5084561B08	Speaker, 5-inch, 30W
9	---	Gasket
10	1300133M05	Bezel
11	1580099R02	Housing, speaker, weather-resistant

REF. NO.	PART NO.	DESCRIPTION
12	3206849K01	Gasket
13	3083155H01	Cable, 2 conductor
15	1510183A18	Housing, connector, 2 contact
17	---	Washer
18	3280000S01	Gasket, speaker
19	---	Capsert; 4 used

NON-REFERENCED ITEMS

0611086A27	Resistor, 47 ohms, ±5%, 1 watt
0780200E01	Trunnion, bracket, speaker (not shown)
0312002B14	Screw, self-drilling (10-16 x 1.0); 3 used

SPECTRA Motorcycle Radio

Accessories, Service Aids, Tools



Microphone & Speaker

HMN1062B Weather Resistant Palm Microphone

HSN6003B Weather Resistant Speaker

Service Aids

Computer Interface Cable

Used to connect computer's serial port to Radio Interface Box (RIB).

3080369B71 Computer Interface Cable; RIB to 25 pin D

3080369B72 Computer Interface Cable; RIB to 9 pin D

Radio Interface Box

Links radio programming cable and computer interface together. Provides required voltage shift to enable communications between radio and computer. Requires computer interface cable, radio programming cable and a 9 volt snap type battery (6082728J01) or wall mount power supply; order separately.

RLN4008E Radio Interface Box



RLN4008E



0180357A57

Wall Mounted Power Supply

Used to supply power to Radio Interface Box.

0180357A57 Wall Mounted Power Supply (110 volts)

0180358A56 Wall Mounted Power Supply (220 volts)

Service Aids

Programming Software

This software enables you to add or reprogram frequencies as your requirements change. Compatible with IBM XT, AT, Model 30, 50, 60 and 80. Requires Radio Interface Box and proper cables; order separately.

RVN4001N Programming Software, includes 3-1/2" diskette, manual, binder, and storage box.

Program/Test Cable

Acts as a link between RIB and radio; required to program radio.

3080369B73 Program/Test Cable

Service Tools

Torque Screwdriver

Measures the amount of torque being applied. Recommended for precise radio assembly. Bits must be ordered separately.

RSX4043A Adjustable Torque Screwdriver



RSX4043A

Insertion and Extraction Tool

Installs and/or removes wires from accessory connector.

6680163F01 Insertion and Extraction Tool



6680163F01

Hex L-Shaped Key Set

Recommended for front panel and PA removal/installation. 10 piece set from 1.27mm to 6mm.

0180370B87 Metric Hex L-Shaped Key Set

SPECTRA Motorcycle Radio

Service Tools, Manuals

Service Tools

Crimping Tool

For custom installations requiring crimping of Mini-UHF RF connector

6680388A26 Crimping Tool



6680388A26

RF Service Cables

3080373B25 RF Injection Board Output Cable. Connects to the RX injection output of the VCO assembly for testing RF injection level

3080373B26 BNC (M) to SMB (M) Cable

3080373B41 BNC (F) to Taiko-Denki (M) Cable

3080373B27 BNC (M) to SMB (F) Cable

0180355A28 BNC (F) to Taiko-Denki (F) Adapter

Service Tools

RF Service Cable Kit

TKN8531C Key-Variable Loader Cable

5880384G68 SMA to BNC Adapter

5880367B21 Mini-UHF Male to 'N' Female Adapter

0180386A82 Anti-Static Grounding Kit

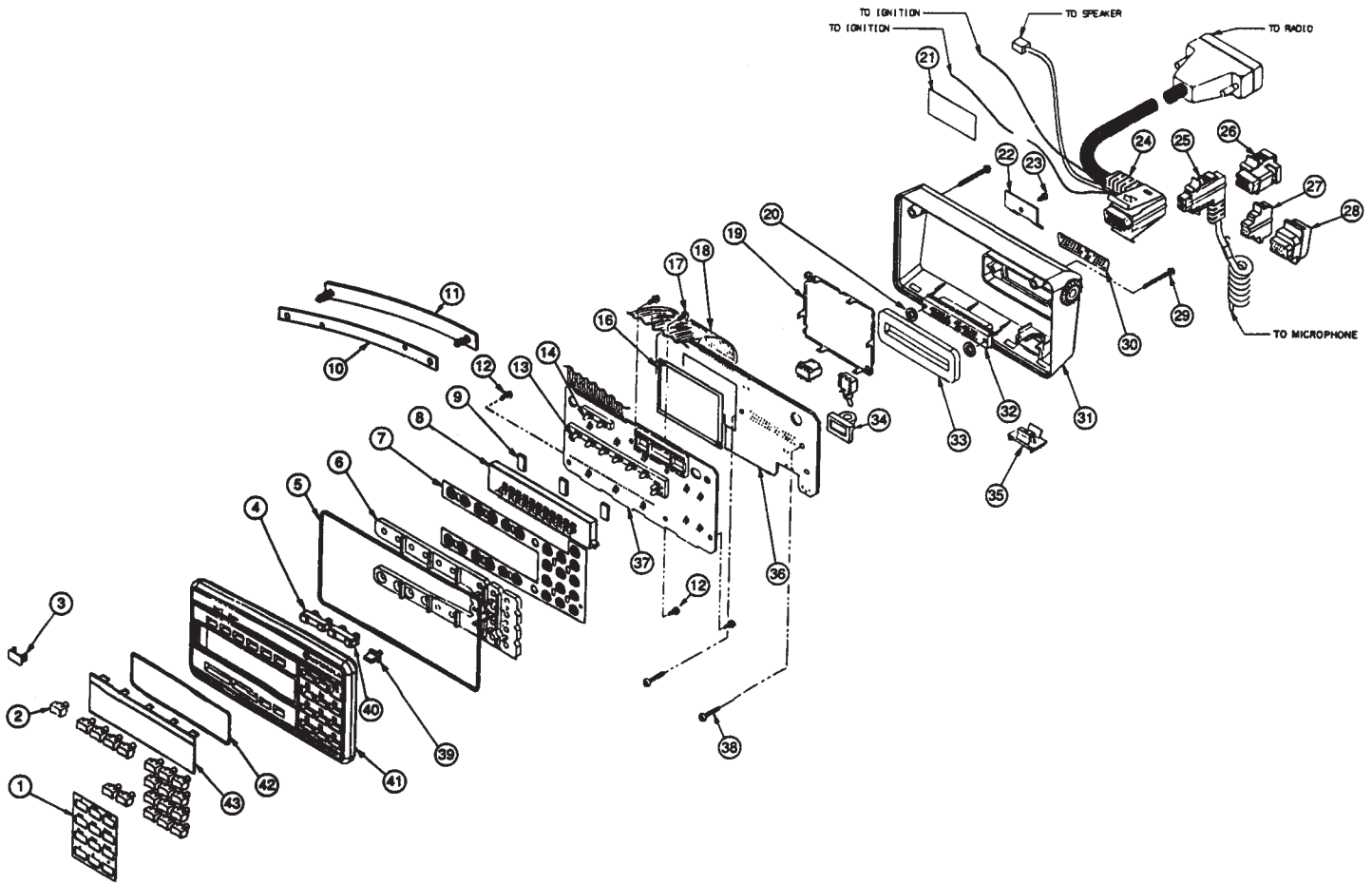
0180320B16 Magnetic Screwdriver Set with Bits

Manuals

6880103W01 Installation/Instruction Manual

ASTRO DIGITAL SPECTRA Series

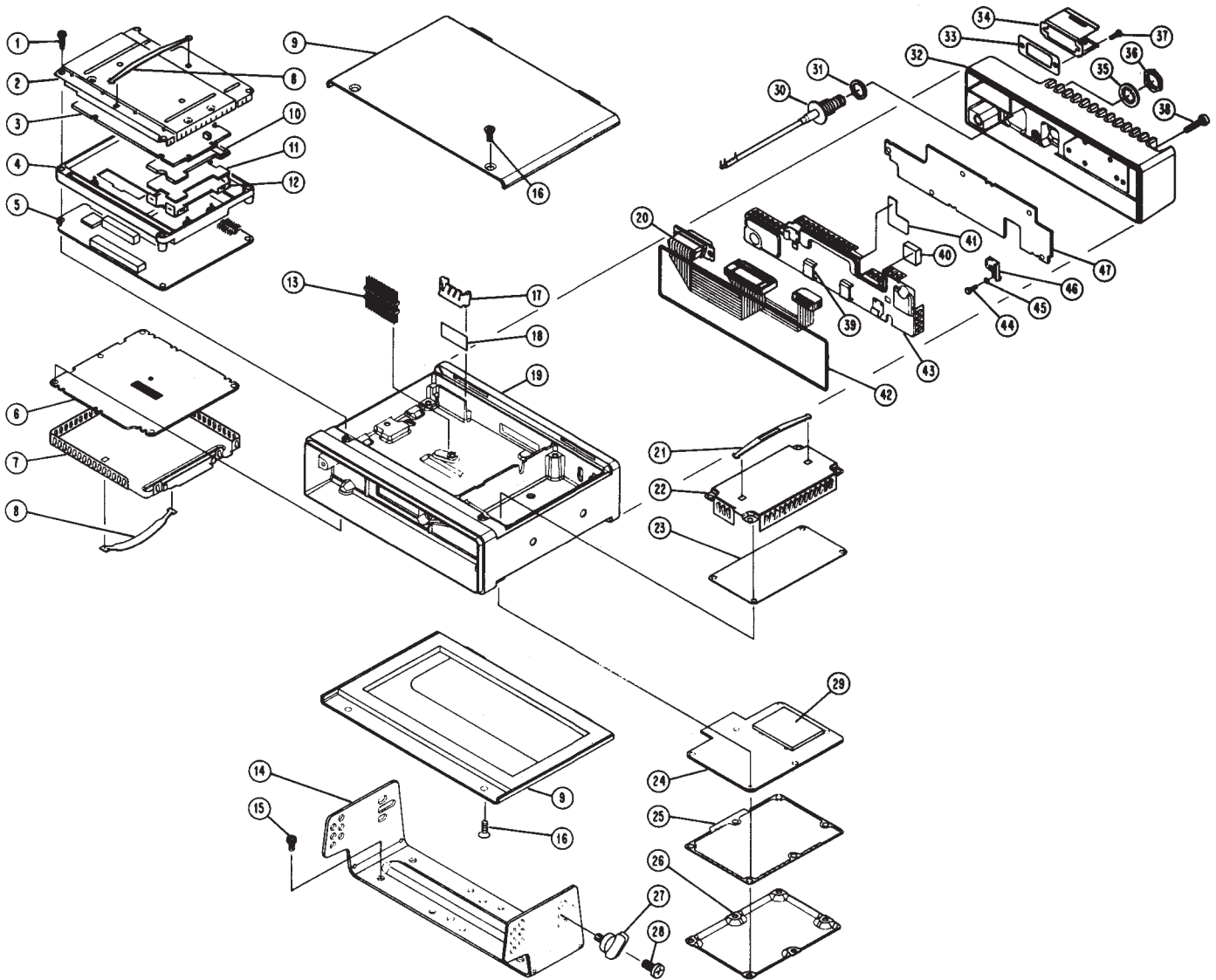
Parts List



ASTRO DIGITAL SPECTRA Series
Parts List
Control Head

REF. NO.	PART NO.	DESCRIPTION	REF. NO.	PART NO.	DESCRIPTION
1	1380087J01	Escutcheon	19	2680190P02	Shield, component side
2	3805672X26	Button, emergency	20	3205082E90	"O" Ring "D" Connector; 2 used
	3805672X45	Button, dir	21	3380178M01	Nameplate
	3805672X03	Button, scan	22	0784323C01	Bracket, strain relief
	3805672X61	Button, srch	23	0310908A18	Screw, machine
	3805672X12	Button, call	24	HKN4356B	Cable, radio
	3805672X63	Button, page	25	HMN1032B	Microphone Kit
	3805672X41	Button, RPGM	or	HMN1050C	Microphone Kit
	3805672X36	Button, site	or	HMN1052A	Microphone Kit
	3805672X44	Button, PHON	or	HMN1053A	Microphone Kit
	3805672X10	Button, H/L	or	HMN1061A	Microphone Kit
	3805672X62	Button, lock	26	1580221J01	Housing, connector VIP (optional)
	3805672X14	Button, RCL	27	7502118Z01	Cover, rubber dust (MIC)
	3805672X31	Button, SQL	28	0180756T47	Cover, rubber dust (VIP)
	3805672X17	Button, del	29	0310908A33	Screw, machine; 2 used
	3805672X39	Button, home	30	3205198X01	Gasket, face
	3805672X18	Button, sel	31	1505199X01	Housing, back
	3805672X01	Button, blank	32	2805778W01	Connector, mini "D", 50 contact
3	3880253K01	Plug	35	3880128J01	Key, on/off
4	3805670X04	Pushbutton, rocker mode	38	0310945A14	Screw, tapping; 2 used
6	6105126X01	Lightpipe, keypad	39	3880092J05	Key, blank
8	7280242J01	Display, VF	40	3805670X03	Pushbutton, rocker volume
9	7580094M05	Pad, shock; 3 used	42	3205144X01	Gasket, lens
17	0310945A11	Screw, tapping; 5 used			

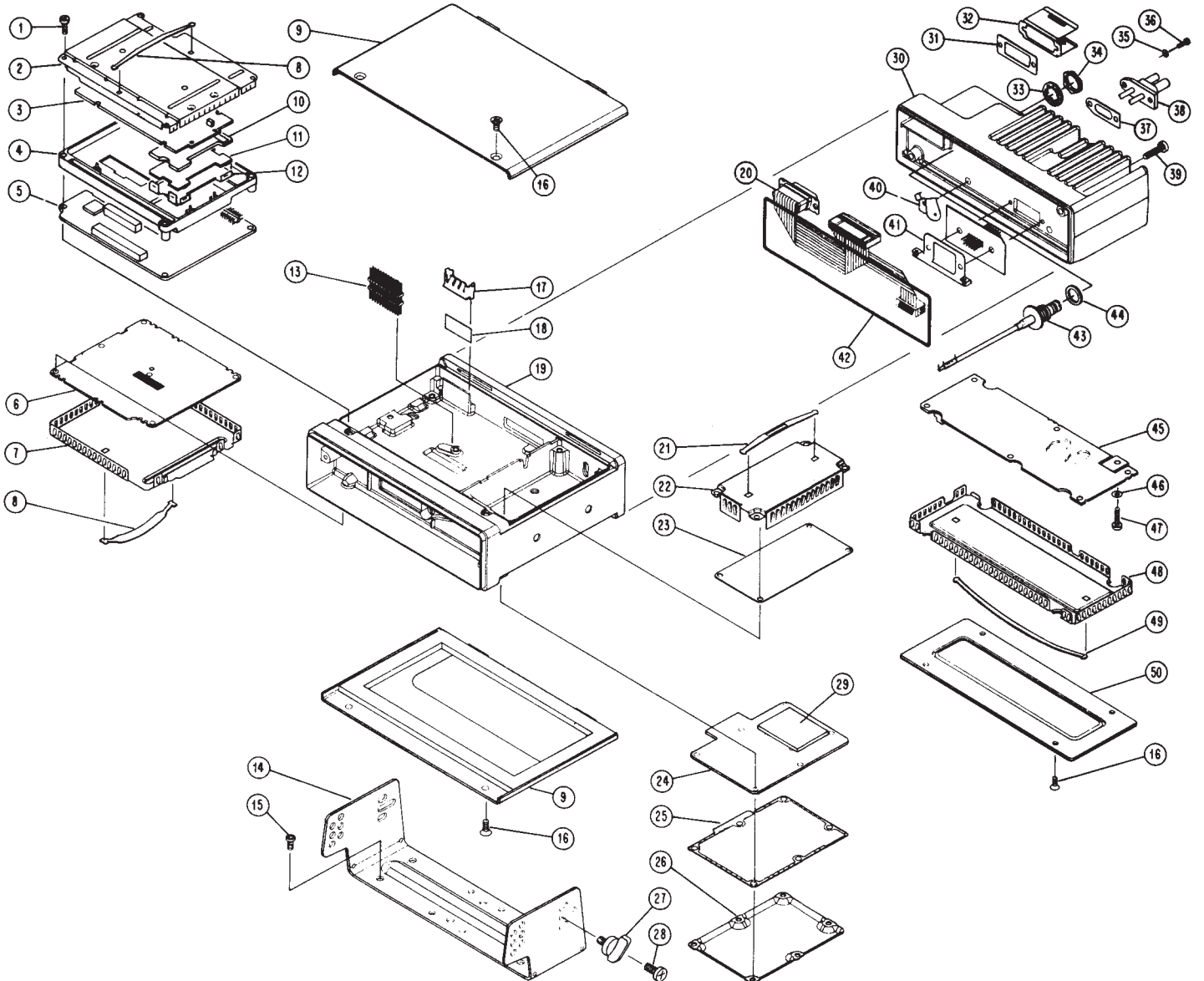
Parts List



ASTRO DIGITAL SPECTRA Series
Parts List

REF. NO.	PART NO.	DESCRIPTION	REF. NO.	PART NO.	DESCRIPTION
1	0312016A27	Screw, tapping (3.5 x 0.6 x 22) (board mounting)	28	0380114M02	Screw, machine (5.0 x 0.8 x 10); 8 used
2	2605704V02	Shield, top	29	1580223N02	Cover, VCO Hybrid
3	HLN6458E	Board Kit, controller	30	3080261M01	Cable, mini (includes items 35 and 36)
4	2705703V02	Casting, controller	31	3280089M02	Gasket, antenna
5	HLN5558D	Board Kit, command	32	2680009M02	Heatsink
6	HRN6019A	Board Kit, RF (800 MHz)	33	3280088M01	Gasket, accessory connector
7	1580099L01	Shield, RF board	34	4280016M03	Clip, accessory connector
8	5584300B01	Handle; 2 used	35	0400132718	Lockwasher, internal tooth
10	2605131X01	Shield, encryption board (optional)	36	0280143M01	Nut, hex, 7/16"
11	---	Board, encryption (optional)	37	8380043L01	Screw, metric (3.0 x 10); 4 used
12	4205566W01	Clip, encryption board (optional)	38	0380077M03	Screw, hex socket; 2 used
13	2880260M01	Header, floating	39	4280265M02	Clip, coax PA; 2 used
14	0780086N01	Trunnion, mounting	40	4380104N01	Spacer, PA shield
15	0312002B14	Screw, self-drilling (10-16 x 10); 4 used	41	1480143M01	Insulator, shield
16	0380102P01	Screw, tapping (3.5 x 0.6 x 10); 8 used	42	3280053P01	Gasket, heatsink
17	4280007M01	Clip, regulator	43	2680011M01	Shield, PA board
18	1480001M01	Insulator, regulator	44	0310911A11	Screw, machine (3.5 x 0.5 x 8.0)
19	2780082N01	Chassis, consolidated	45	0480217E01	Washer, compression
20	3080239N02	Cable, PA ribbon	46	2680187N02	Heatsink
21	5584300B01	Handle; 2 used	47	HLF6078B	Board Kit, low-power amplifier (PA) (15W; 800MHz)
22	1580098L01	Cover, front-end receiver	NON-REFERENCED ITEMS		
23	HRF6004B	Board Kit, front-end receiver (800MHz)		3080091M01	Cable, speaker
24	H1289A	VCO Board and Hybrid		7505295B01	Pad, crystal
25	3280247N01	Gasket, VCO		7580094M05	Pad, shock VF display; 3 used
27	0380160E01	Screw, wing (5.0 x 0.8 x 10); 4 used			

Parts List



ASTRO DIGITAL SPECTRA Series
Parts List

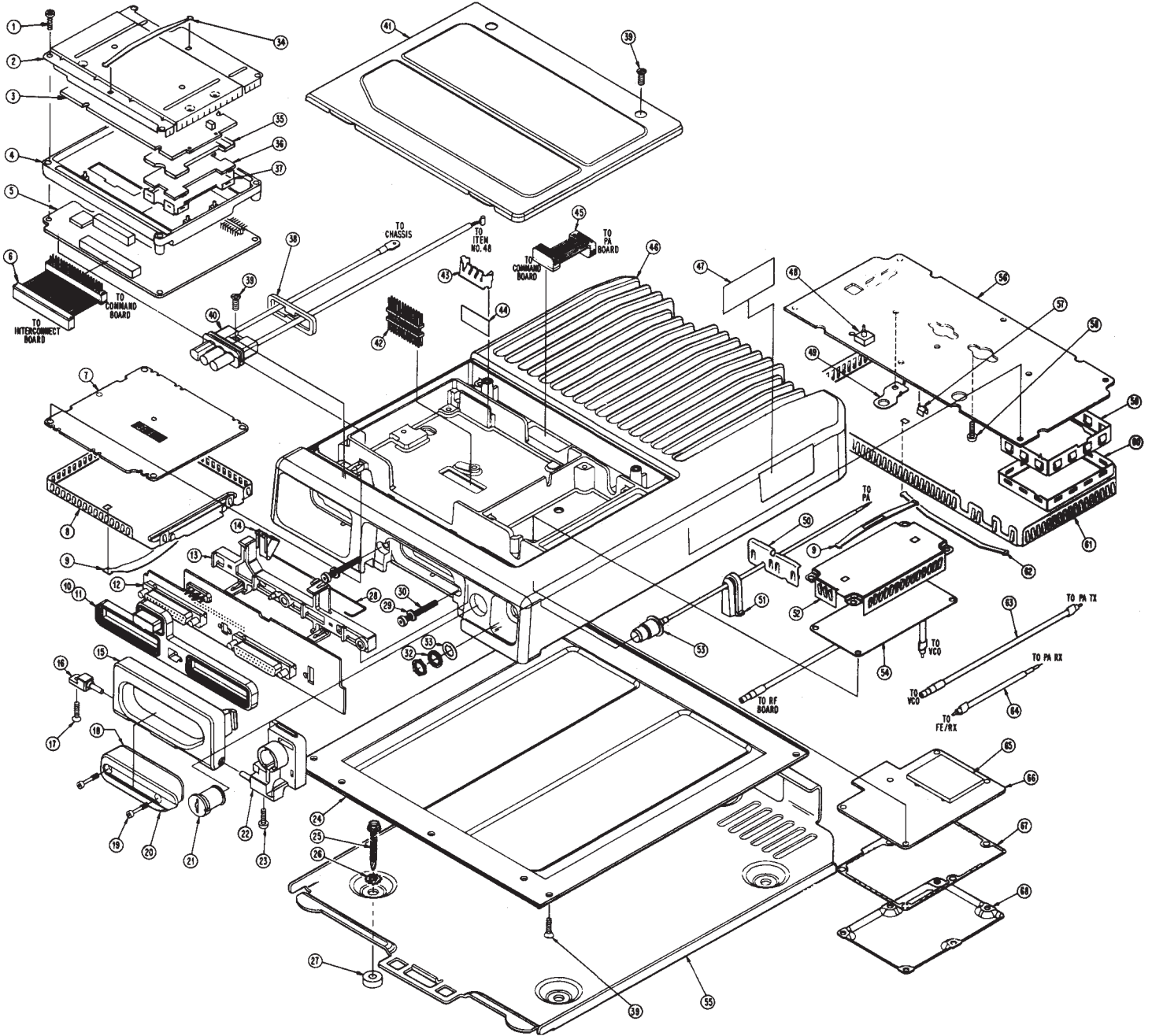
REF. NO.	PART NO.	DESCRIPTION	REF. NO.	PART NO.	DESCRIPTION
1	0312016A27	Screw, tapping (3.5 x 0.6 x 22) (board mounting)	29	1580223N02	Cover, VCO hybrid
2	2605704V02	Shield, top	30	2680010M02	Heatsink, mid-power amplifier (PA)
3	HLN6458	Board Kit, controller	31	3280088M01	Gasket, accessory connector
4	2705703V02	Casting, controller	32	4280016M03	Clip, accessory connector
5	HLN5558	Board Kit, command	33	0401032718	Lockwasher, internal tooth
6	---	Consult basic service manual	34	0280142M01	Nut, hex, 7/16"
7	1580099L01	Shield, RF board	35	0400131974	Washer, flat
8	5584300B01	Handle; 2 used	36	0380043L01	Screw, metric (3.0 x 10); 4 used
9	1580246N01	Cover (includes gasket)	37	3280015M01	Gasket, power connector
10	2605131X01	Shield, encryption board (optional)	38	0980272N02	Connector, power
11	---	Board, encryption (optional)	39	0380077M02	Screw, hex socket; 2 used
12	4295566W01	Clip, encryption board (optional)	40	4280264M02	Clip, coax PA
13	2880260M01	Header, floating	41	4280192N01	Clip, coax
14	0780086N02	Trunnion, mounting	42	3280053P01	Gasket, heatsink
15	0312002B14	Screw, self-drilling (10-16 x 10); 4 used	43	3080261M01	Cable, mini (includes items 33 and 34)
16	0380102P01	Screw, tapping (3.5 x 0.6 x 10); 8 used	44	3280089M02	Gasket, antenna
17	4280007M02	Clip, regulator	45	---	Consult basic service manual
18	---	Insulator, regulator	46	0480217E01	Washer, compression
19	2780082N04	Chassis, consolidated	47	0310911A11	Screw, machine (3.5 x 0.5 x 8.0)
20	3080239N02	Cable, PA ribbon	48	2680186M01	Shield, PA
21	5584300B01	Handle; 2 used	49	5584300B04	Handle
22	1580098L01	Cover, front-end receiver	50	1580048N01	Cover, mid-power PA
23	---	Consult basic service manual			
24	---	Consult basic service manual			
25	3280247N01	Gasket, VCO			
27	0380160E01	Screw, wing (5.0 x 0.8 x 10); 4 used			
28	0380114M02	Screw, machine (5.0 x 0.8 x 10); 8 used			

NON-REFERENCED ITEMS

3080091M01	Cable, speaker
7505295B01	Pad, crystal
7580094M05	Pad, shock VF display; 3 used

ASTRO DIGITAL SPECTRA Series

Parts List



ASTRO DIGITAL SPECTRA Series
Parts List

REF. NO.	PART NO.	DESCRIPTION	REF. NO.	PART NO.	DESCRIPTION
1	0312016A27	Screw, tapping (3.5 x 0.6 x 22) (board mounting)	38	3205457V01	Gasket, power connector
2	2605704V02	Shield, top	39	0380102P01	Screw, tapping
3	HLN6458	Board Kit, controller	40	3080114R02	Connector, power
4	2705703V02	Casting, controller	41	1580217R01	Cover, top
5	HLN5558	Board Kit, command	42	2880260M01	Header, floating
6	3030211R01	Cable, command board to interconnect board ribbon	43	4280007M02	Clip, regulator
7	---	Consult basic service manual	44	---	Insulator, regulator
8	1580099L01	Shield, RF board	45	3080212R01	Cable, command board to PA board ribbon
9	5584300B01	Handle; 2 used	46	2780133P02	Chassis
10	3280206R01	Gasket, connector	47	3380080E01	Nameplate, FCC
11	3280206R02	Gasket, connector SECURENET	48	0780255R01	Bracket, feedthrough
12	HLN5558	Board Kit, interconnect	49	2680201R01	Heatsink, diode-bracket
13	4380110R01	Spacer, interconnect board	50	4280261R01	Clip, antenna coaxial
14	4280232R01	Clip, interconnect board	51	3280120R01	Gasket, mini-internal connector
15	5580102R01	Handle	52	1580098L01	Shield, front-end receiver
16	4780176P01	Pin, pivot	53	3080261M03	Cable, mini
17	0310943R55	Screw, tapping	54	---	Consult basic service manual
18	3280118R01	Cover, gasket	55	1580132P01	Tray, mounting
19	0380214R01	Screw, captive	56	---	Consult basic service manual
20	3880122R01	Connector	57	4280202R01	Clip, coaxial
21	5580370A01	Lock	58	0310911A11	Screw, machine
22	1580218R01	Housing, lock	59	2680139P01	Shield, harmonic filter
23	0380043L01	Screw, tapping	60	1580208R01	Cover, harmonic shield
24	1580216R01	Cover, bottom	61	2680138P02	Shield, power amplifier (PA)
25	0312002A28	Screw, self-drilling	62	5584300B04	Handle, PA shield
26	0400007688	Lockwasher	63	3080152M15	Cable, coaxial transmitter
27	4382292M01	Bushing, spacer	64	3080037R12	Cable coaxial receiver
29	0405171J03	Washer, fiber	65	1580223N02	Cover, VCO hybrid
30	0310908A97	Screw, machine	66	---	Consult basic service manual
32	0400132718	Lockwasher, internal tooth, 7/16"	67	3280247N01	Gasket, VCO
33	0480285R01	Washer, special	NON-REFERENCED ITEMS		
34	5584300B01	Handle		3080091M01	Cable, speaker
35	2605131X01	Shield, encryption board (optional)		7505295B01	Pad, crystal
37	4205566W01	Clip, encryption board (optional)		7580094M05	Pad, shock VF display; 3 used

ASTRO DIGITAL SPECTRA Series

*Mobile
Accessories*

Microphones



HMN1053B

HMN1080A Standard Palm Microphone

HMN1053B DTMF Microphone (not compatible w/astro digital spectra)

5084898K10 Noise Cancelling Microphone

HMN1061A Palm Microphone for use with astro digital spectra W9 radio

HMN1050D Desk Top Microphone (for control station operation)

HLN1220B Handset with Hang Up Box

HMN1079A Water Resistant Palm Microphone



HLN1220B

Sirens

H1336A Siren/Public Address, provides hi-lo, yelp, and airhorn tones controlled through supplemental housing

H1337A Public Address Only

Speakers

Speaker for Siren and Public Address



TDN6253A

TDN6251A Siren Speaker Round with Chrome Finish

TDN6252A Siren Speaker Rectangular with Chrome Finish

TDN6253A Siren Speaker Underhood with Grey Finish

TDN6254A Siren Speaker Round with Grey Finish

External Speaker

Provides Audio for High Ambient Noise Environments

HSN4018B External Speaker



HSN4018B



TDN6254A

ASTRO DIGITAL SPECTRA Series

*Mobile
Accessories*

Control Station Accessories

HPN4001B Control Station Power Supply

HKN4139A Power Cable

HLN6042A Control Station Tray

HMN1050D Desktop Microphone



Mounting Hardware

Quick Release Side Mount

RLN4074A Quick Release Side Mount Kit, includes radio mount, vehicle mount, and mounting hardware



RLN4074A

Quick Release Side Mount Accessories

RLN4075A Radio Mount with Hardware

RLN4076A Vehicle Mount with Hardware

RLN4077A Angle Bracket with 20° Fixed Angle and 50° Swivel

RLN4078A Flat Bracket with 50° Swivel

Miscellaneous Hardware

HLN6025A Key Lock Mount

HLN6008A Remote Mount Kit, with 17 Foot Cable



HLN6025A

Emergency Switch



HLN5113B

Enables user to send an emergency message to a console, where their unit ID can be displayed and an alarm sounded.

HLN5131B External Emergency Button

HLN5113B Emergency Footswitch



ASTRO DIGITAL SPECTRA Series

Antennas, Service Aids

Antennas

800 MHz

HAF4002A 1/4 Wave, roof top (806-900 MHz)

RRA4983A 3dB, roof top (806-900 MHz)

900 MHz

RRA4935A 3dB, roof top w/14 ft. cable (890-960 MHz)

RAF4003ARM 3dB, roof top w/22 ft. cable (890-960 MHz)

VHF

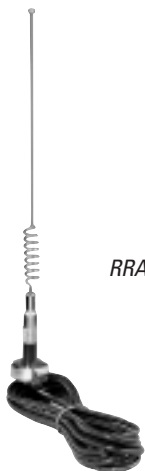
HAD4006A 1/4 Wave, roof top (136-144 MHz)

HAD4007A 1/4 Wave, roof top (144-152 MHz)

HAD4008A 1/4 Wave, roof top (150.8-162 MHz)

HAD4009A 1/4 Wave, roof top (162-174 MHz)

RAD4010ARB 3dB, roof top (136-174 MHz)



RRA4935A



HAE4003A

UHF

HAE4002A 1/4 Wave, roof top (403-430 MHz)

HAE4003A 1/4 Wave, roof top (450-470 MHz)

HAE4004A 1/4 Wave, roof top (470-512 MHz)

HAE4010A 3.5dB, roof top (406-420 MHz)

HAE4011A 3.5dB, roof top (450-470 MHz)

HAE4012A 3.5dB, roof top (470-495 MHz)

HAE4013A 3.5dB, roof top (494-512 MHz)

Service Aids

Computer Interface Cable

Used to connect computer's serial port to Radio Interface Box (RIB).

3080369B71 Computer Interface Cable; RIB to 25 pin D

3080369B72 Computer Interface Cable; RIB to 9 pin D

Radio Interface Box

Links radio programming cable and computer interface together. Provides required voltage shift to enable communications between radio and computer. Requires computer interface cable, radio programming cable and a 9 volt snap type battery (6082728J01) or wall mount power supply; order separately.



RLN4008E

RLN4008E Radio Interface Box

Wall Mounted Power Supply

Used to supply power to Radio Interface Box.

0180357A57 Wall Mounted Power Supply (110 volts)

0180358A56 Wall Mounted Power Supply (220 volts)



0180357A57

Programming Software

This software enables you to add/or reprogram frequencies as your requirements change. Compatible with IBM XT, AT, Model 30, 50, 60 and 80. Requires Radio Interface Box and proper cables; order separately.

RVN4100F Programming Software, includes 3-1/2" diskette, manual, binder, and storage box.

Program/Test Cable

Acts as a link between RIB and radio; required to program radio.

0180300B10 Program/Test Cable, High Power

3080369B73 Program/Test Cable, Low/Mid Power

RKN4047A Radio Flash Programming Cable

ASTRO DIGITAL SPECTRA Series

Service Tools, Manuals

Service Tools



RSX4043A

Torque Screwdriver

Measures the amount of torque being applied. Recommended for precise radio assembly. Bits must be ordered separately.

RSX4043A Adjustable Torque Screwdriver

Insertion and Extraction Tool

Installs and/or removes wires from accessory connector.

6680163F01 Insertion and Extraction Tool



6680163F01

Hex L-Shaped Key Set

Recommended for front panel and PA removal/installation. 10-piece set from 1.27mm to 6mm.

0180370B87 Metric Hex L-Shaped Key Set

Crimping Tool

For custom installations requiring crimping of Mini-UHF RF connector

6680388A26 Crimping Tool



6680388A26

Analyzing Accessory

Provides necessary board extension cables for servicing digital and analog modules of the radio.

RPX4725C Analyzing Accessory

Service Tools

RF Service Cables

3080373B25 RF Injection Board Output Cable. Connects to the RX injection output of the VCO assembly for testing RF injection level

3080373B26 BNC (M) to SMB (M) Cable

3080373B41 BNC (F) to Taiko-Denki (M) Cable

3080373B27 BNC (M) to SMB (F) Cable

RF Service Cable Kit

TKN8531C Key-Variable Loader Cable

5880384G68 SMA to BNC Adapter

5880367B21 Mini-UHF Male to 'N' Female Adapter

0180320B16 Magnetic Screwdriver Set with Bits

Service Manuals

6881076C20 Astro Digital Spectra Basic Service Manual, VHF, UHF, 800 MHz

6881076C25 Astro Digital Spectra Detailed Service Manual, VHF, UHF, 800 MHz

6880101W33 Spectra Detailed Service Manual

6881074C45 Spectra Service Manual, 800 MHz

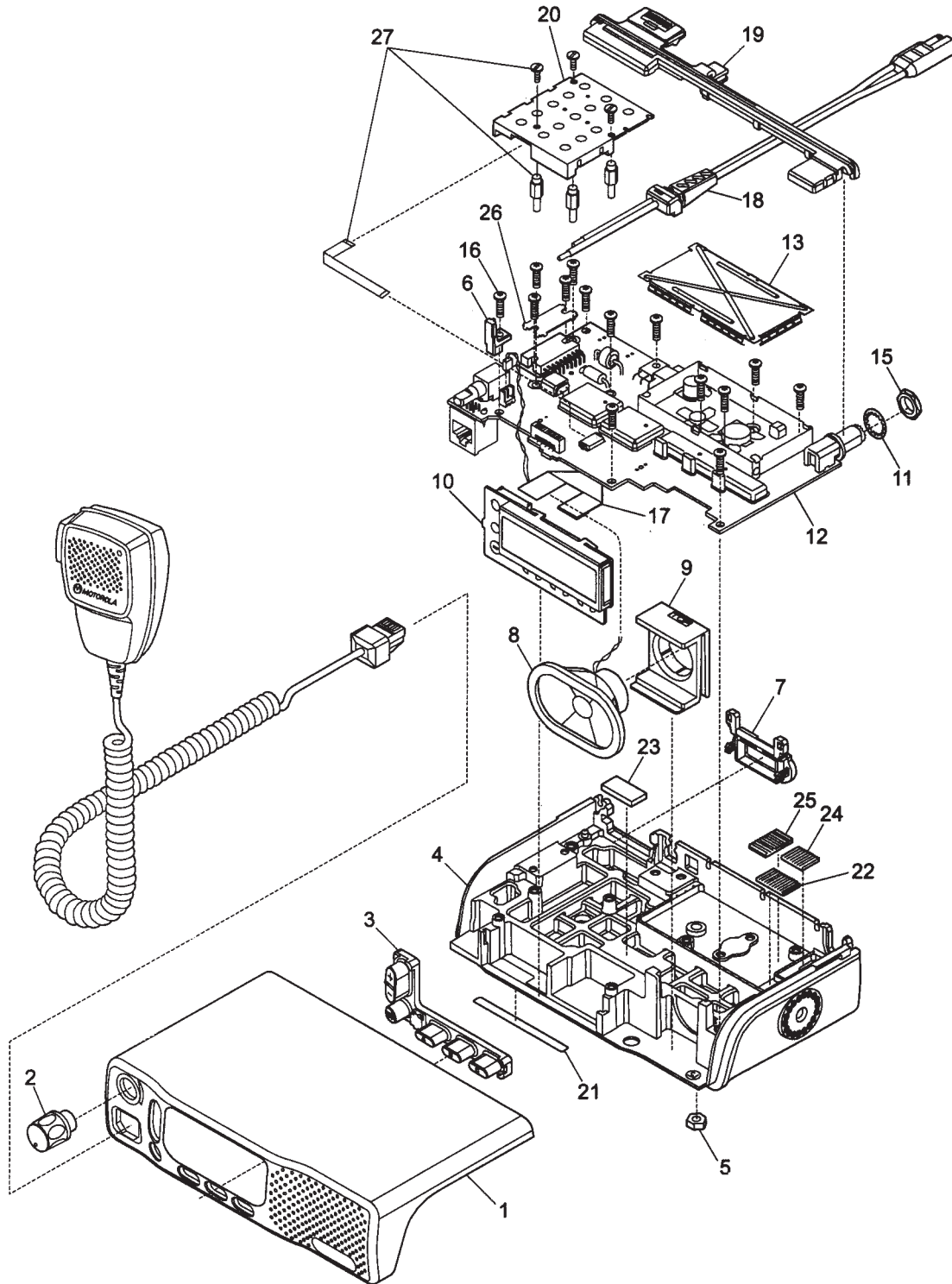
6880101W37 Spectra Service Manual, 900 MHz

6881070C95 Spectra Service Manual, VHF

6880101W39 Spectra Service Manual, UHF

6880102W33 Spectra Service Manual, SECURENET

Parts List



M1225 Series

Parts List

REF. NO.	PART NO.	DESCRIPTION	REF. NO.	PART NO.	DESCRIPTION
1	0180427U02	Assy, housing	15	0280477U01	Nut, Mini-U
2	3604414J02	Knob, volume control	16	0310943J11	Screw, 3mm x 10; 14 used
3	7580450U01	Keypad	17	2804431J01	Cable, folded; 10 position
4	2680448U01	Heatsink	18	3080486U01	Cable, power w/strain relief
5	0280478U01	Nut, Mini-U	19	3280484U01	Gasket, rear
6	4380587U01	Flange, right angle, PC support	20	---	Option Board Kit
7	1504501J01	Shroud, spacer, snap-on	21	---	Label, warning
8	5080442U01	Speaker, w/wire assembly	22	3204416J01	Gasket, thermal conductive pad
9	3204411J01	Grommet, speaker retaining	23	---	Pad, pullout VCO
10	HLN9644A	Assy, front panel display	24	3204416J01	Gasket, thermal conductive pad (Modified for UHF only)
11	---	Washer, lock, Mini-U	25	3204416J01	Gasket, thermal conductive pad (Modified for VHF only)
12	---	Main Board (Not field replaceable)			
13	2604420J01	Shield, PA frame cover			
14	0980476U01	Connector, antenna, Mini-U			

M1225 Series

Mobile Accessories

Microphones

Compact Microphone

HMN3001A Compact Microphone with LED Indicator, 10 foot coil cord and hang-up clip



HMN3008A Compact Microphone with LED Indicator, 10 foot coil cord and hang-up clip



HMN3174B Compact Microphone with TX LED Indicator, 7 foot coil cord and hang-up clip



Heavy Duty Microphone

HMN1035C Heavy Duty Palm Microphone with 10.5 Foot Coil Cord

HMN1035C

Control Station Accessories

HPN9012A 1-25 Watt Power Supply—115 V AC only (25W mobiles only—control station cable not needed)

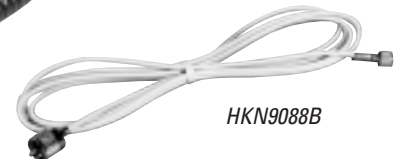
HPN8393D Up to 45 Watt Power Supply—115/230 V AC (also used with GR300/GR400 repeaters) HKN9018A Control Station Cable—interfaces radio power cable to power supply cable (for HPN8393 only)



HMN3000B Desk Microphone, black

HLN9226C Mobile Holder (attaches mobile radios to the power supply)

HKN9088B Mobile Mini-U Antenna Adapter – 8 foot cable



M1225 Series

Mobile Accessories

Microphone Accessories

HLN9559A 7 ft. Extended Coil Cord for Heavy Duty Microphones

HLN9560A 10.5 ft. Coil Cord for Microphones

HLN9073B Microphone Hang-Up Clip (all microphones)

HLN9414A Universal Hang-Up Clip (all microphones)

AAREX4617A Telephone Style Headset Kit



HLN9414A



HLN9073B

General Accessories

Cigarette Lighter Adapter

HKN9407A Cigarette Lighter Adapter – available for mobiles operating at 25W only

Installation Accessories

HKN4137A Low Power Cable to Battery

HKN9019A 16-Pin Conductor Cable—same as HKN9969 (3 foot long enhanced connectors)



HKN9327BR



HKN9327BR Ignition Switch Cable (SM50/SM120/M1225—requires HLN9242)

HKN9557A PL259/Mini-U Antenna Adapter—8" cable (not recommended for 800 MHz)



HKN9557A

2880376E84 Mini-U Connector (all bands)



2880376E84

HLN8027A Mini-UHF to BNC Adapter

HLN9242A 16-Pin Accessory Kit with Expanded Connector (kit allows existing 16-pin connector accessories to be modified for enhanced connector reliability when used with SM series or M1225 mobiles; includes 9 wires with lugs, 1 connector housing 16 crimping terminals, 2 tie straps and 1 extraction tool)

M1225 Series

Mobile Accessories

Mounting Accessories

HLN9617A Key Lock
Mounting Bracket

HLN9154A Non-Locking
Bracket (standard with SM
series and M1225 mobiles)

HLN9162A 5" Goose Neck
Mounting Bracket



HLN9154A

HLN9227A 8" Goose Neck Mounting Bracket

HLN9179A Quick Release Mounting Bracket

HLN9228A Clam Shell Mounting Bracket

HLN9408A Goose Neck Décor Sleeve – used to cover
goose neck and wires

HLN9534A Right Angle Mini-UHF Connector



HLN9227A

HLN9573A Shorting Plug Kit for
microphone jack—used when
application calls for a deskset (covers
microphone jack)



HLN9228A

External Speaker

HSN9008A 7.5 Watt External Speaker with Accessory Connector
modified for enhanced connection reliability when used with the SM
series and which provides higher output receiver audio



HSN9008A

Public Address Accessories

HLN3145CR Public Address Kit (requires the HSN1000 accessory;
includes 2 cables for mobile connection to public address box to
speaker cables)

HKN9324AR 15 Foot Public
Address/Speaker Cable (one
cable per speaker)



HKN9324AR



HSN1000B

HSN1000B 6 Watt Amplified External
Speaker for public address audio
(minimum of 1 required)

Alarm Accessories

HLN9328C External Alarm Relay Cable – horn and lights

M1225 Series

Antennas

Antennas

**Low Band
VHF**

HAD4006A VHF 1/4 Wave
Roof Mount Antenna, 136-144 MHz

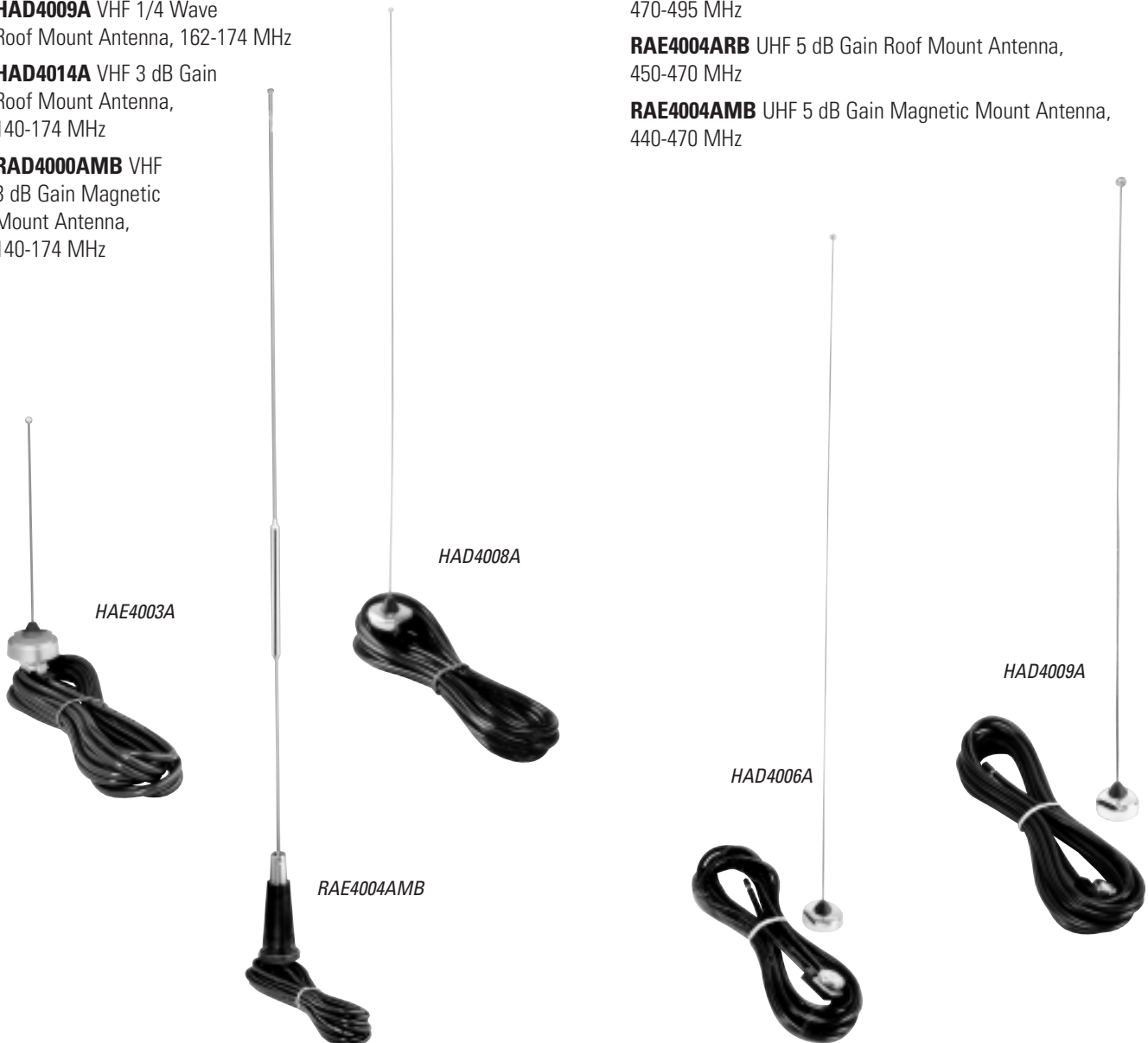
HAD4007A VHF 1/4 Wave
Roof Mount Antenna, 144-152 MHz

HAD4008A VHF 1/4 Wave
Roof Mount Antenna, 150.8-162 MHz

HAD4009A VHF 1/4 Wave
Roof Mount Antenna, 162-174 MHz

HAD4014A VHF 3 dB Gain
Roof Mount Antenna,
140-174 MHz

RAD4000AMB VHF
3 dB Gain Magnetic
Mount Antenna,
140-174 MHz



Antennas

UHF

HAE4003A UHF 1/4 Wave Roof Mount Antenna,
450-470 MHz

HAE4004A UHF 1/4 Wave Roof Mount Antenna,
470-512 MHz

HAE4011A UHF 3.5 dB Gain Roof Mount Antenna,
450-470 MHz

HAE4012A UHF 3.5 dB Gain Roof Mount Antenna,
470-495 MHz

RAE4004ARB UHF 5 dB Gain Roof Mount Antenna,
450-470 MHz

RAE4004AMB UHF 5 dB Gain Magnetic Mount Antenna,
440-470 MHz

Service Aids

Service Aids

Computer Interface Cable

Used to connect computer's serial port to Radio Interface Box.

3080369B71 Computer Interface Cable; RIB to 25 pin D

3080369B72 Computer Interface Cable; RIB to 9 pin D

Radio Interface Box

Links radio programming cable and computer interface together. Provides required voltage shift to enable communications between radio and computer. Requires computer interface cable, radio programming cable and a 9 volt snap type battery (6082728J01) or wall mount power supply, order separately.

RLN4008E Radio Interface Box



RLN4008E

Wall Mounted Power Supply

Used to supply power to Radio Interface Box.

0180357A57 Wall Mounted Power Supply (110 volts)

0180358A56 Wall Mounted Power Supply (220 volts)



0180357A57

Service Aids

M1225 Programming Software

This software enables you to add or reprogram the M1225 as your requirements change. Requires Radio Interface Box and proper cables; order separately.

HVN9054C Programming Software, 3-1/2" diskettes (includes RSS Getting Started Manual and storage box)

Minimum Platform Requirements:

- 80386 Microprocessor
- 4 MB of RAM
- HDD (Hard Disk Drive) 30 MB or higher
- Microsoft® Windows® 3.1 or higher
- 1.44 MB 3.5 in FDD
- Two (2) serial ports
- Mouse or trackball
- One (1) parallel (printer) port

Recommended Platform Requirements:

- 80486 Microprocessor
- 8 MB of RAM
- HDD 80 MB or higher
- Microsoft® Windows® 3.1 or higher
- 1.44 MB 3.5 in FDD
- Two (2) serial ports
- Mouse or trackball
- One (1) parallel (printer) port

Program/Test Cable

Acts as a link between RIB and radio; required to program radio.

3080070N01 Program/Test Cable

Power Supply Cable

HKN4191B Power Supply Cable, High Power (60 watt), replaces HKN9402A

HKN4137A Mobile Power Cable, Low Power (25 watt)

M1225 Series

Service Tools, Manuals

Service Tools



RSX4043A

Torque Screwdriver

Measures the amount of torque being applied. Recommended for precise radio assembly. Bits must be ordered separately.

RSX4043A Adjustable Torque Screwdriver

Crimping Tool

For installations requiring crimping of Mini-UHF connector.

6680388A26 Crimping Tool



6680388A26

Test Adapter

Used to manually key radio. Must be attached to Program/Test Cable

RLN4137A Test Adapter



RLN4137A



6680388A13

Battery Cable Adapter

6680388A13 Side Mount Battery Cable Adapter

VCO Test Cable

Interfaces mobile's RF board to test equipment for troubleshooting (not required for all mobiles.)

3080373B41 VCO Test Cable

Service Tools

Antenna Adapters

5880367B22 Mini-UHF Adapter

2880376E84 Mini-UHF Connector

HKN9088B Mini-UHF to UHF Adapter – 8 foot cable



5880367B22

Cloning Cable

HKN9755A Allows radio to be duplicated from a master radio by transferring programmed data from one radio to another.

Test Cable

0180352A01 Mini U to BNC Cable (3 ft.) Connects mobile to RF test instruments.

Manuals

6880904Z96

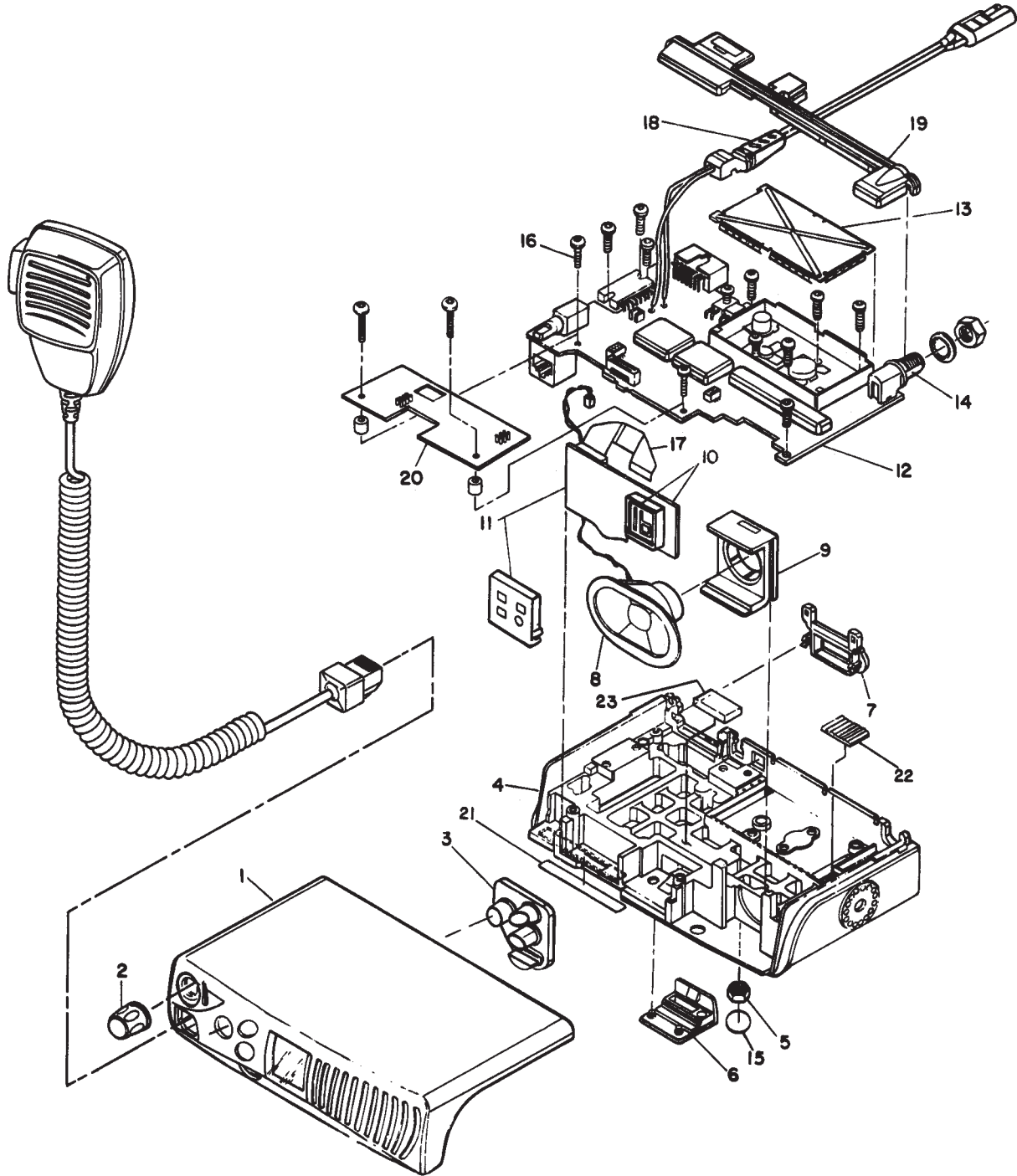
M1225 Service Manual

HLN9155A

M1225 Manual Kit

SM50/SM120 Series

Parts List



Parts available for U.S. field service customers only

SM50/SM120 Series

Parts List

REF. NO.	PART NO.	DESCRIPTION	REF. NO.	PART NO.	DESCRIPTION
1	1504606J01	Housing, cover assembly, SM50	12	---	Main Board (Not field replaceable)
	1504606J02	Housing, cover assembly, SM120	13	2604420J01	Shield, PA frame cover
2	3604414J02	Knob, volume control	14	0983228R01	Connector, Mini-U antenna
3	7504436J01	Keypad, SM50	15	---	Plug Button, VHF 10-25W
	7504436J02	Keypad, SM120	16	0310943J11	Screw, 3mm x 10; 12 used
4	2604417J01	Heatsink	17	2804431J01	Cable, folded; 10 position
5	0200007003	Nut, 8-32 x 5/16 x 1/8 hex, UHF	18	3004510J01	Cable, power w/strain relief
6	3204502J02	Gasket, release latch	19	3204412J02	Gasket, rear
7	1504501J01	Shroud, spacer, snap-on	20	---	Option Board
8	5004410J01	Speaker, w/wire assembly	21	---	Label, warning
9	3204411J01	Gasket, speaker retaining	22	3204416J01	Gasket, thermal conductive pad
10	PMLN4022A	Assy, front panel display, SM50	23	---	Pad, pullout VCO
11	PMLN4023A	Assy, front panel display, SM120			

SM50/SM120 Series

Mobile Accessories

Microphones

Compact Microphones

HMN3001A Compact Microphone with LED Indicator, 10 foot coil cord and hang-up clip

HMN3008A Compact Microphone with LED Indicator, 10 foot coil cord and hang-up clip



HMN3001A

HMN3174B Compact Microphone with TX LED Indicator, 7 Foot Coil Cord and Hang-Up Clip

HMN3174B



Microphones

Heavy Duty Microphone

HMN1035C Heavy Duty Palm Microphone with 10.5 Foot Coil Cord



HMN1035C

Handset

AAREX4617A Telephone Style Handset Kit

Microphone Accessories

HLN9073B Microphone Hang-Up Clip (all microphones)

HLN9414A Universal Hang-Up Clip (all microphones)



HLN9414A



HLN9073B

SM50/SM120 Series

**Mobile
Accessories**

Cigarette Lighter Adapter

HKN9407A Cigarette Lighter Adapter – available for mobiles operating at 25W only

External Speaker

HSN9008A 7.5 Watt External Speaker with Accessory Connector modified for enhanced connection reliability when used with the SM series



HSN9008A

Control Station Accessories

HPN9012A 1-25 Watt Power Supply – 115 V AC only (25W mobiles only – control station cable not needed)

HPN8393D Up to 45 Watt Power Supply – 115/230V AC (also used with GR300/GR400 repeaters)



HPN8393D

HKN9018A Control Station Cable- – interfaces radio power cable to power supply cable (for HPN8393 only)

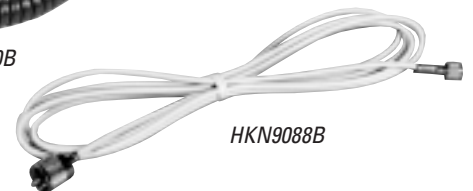


HMN3000B

HMN3000B Desk Microphone, black

HLN9226C Mobile Holder (attaches mobile radios to the power supply)

HKN9088B Mobile Mini-U Antenna Adapter – 8 foot cable



HKN9088B

SM50/SM120 Series

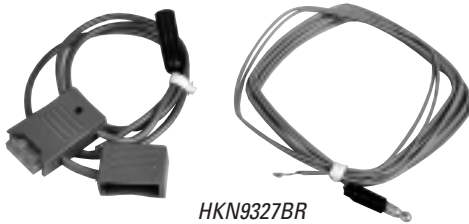
Mobile Accessories

Installation Accessories

HKN4137A Low Power Cable to Battery

HKN9019A 16 Pin Conductor Cable – same as HKN9969 (3 foot long enhanced connectors)

HKN9327BR
Ignition Switch
Cable
(SM50/SM120 –
requires HLN9242)



HKN9557A PL259/Mini-U Antenna Adapter – 8" cable (not recommended for 800 MHz)



HLN8027A Mini-UHF to BNC Adapter

HLN9242A 16-Pin Accessory Kit with Expanded Connector (kit allows existing 16-pin connector accessories to be modified for enhanced connector reliability when used with SM series mobiles; includes 9 wires with lugs, 1 connector housing 16 crimping terminals, 2 tie straps and 1 extraction tool)

Mounting Accessories

HLN9617A Key Lock Mounting Bracket

HLN9154A Non-Locking
Bracket (standard with
SM series)



HLN9162A 5" Goose Neck Mounting Bracket

HLN9227A 8" Goose Neck Mounting Bracket

HLN9179A Quick Release Mounting Bracket



HLN9228A Clam Shell
Mounting Bracket

HLN9408A Gooseneck Décor Sleeve –
used to cover gooseneck and wires

HLN9573A Shorting Plug Kit for microphone jack – used when application calls for a deskset (covers microphone jack)

SM50/SM120 Series

**Accessories,
Antennas**

Alarm Accessory

HLN9328C External Alarm Relay Cable – horn and lights

Antennas

VHF

HAD4006A VHF 1/4 Wave Roof Mount Antenna, 136-144 MHz

HAD4007A VHF 1/4 Wave Roof Mount Antenna, 144-152 MHz

HAD4008A VHF 1/4 Wave Roof Mount Antenna, 150.8-162 MHz

HAD4009A VHF 1/4 Wave Roof Mount Antenna, 162-174 MHz

HAD4014A VHF 3 dB Gain Roof Mount Antenna, 140-174 MHz

RAD4000AMB VHF 3 dB Gain Magnetic Mount Antenna, 140-174 MHz

Antennas

UHF

HAE4003A UHF 1/4 Wave Roof Mount Antenna, 450-470 MHz

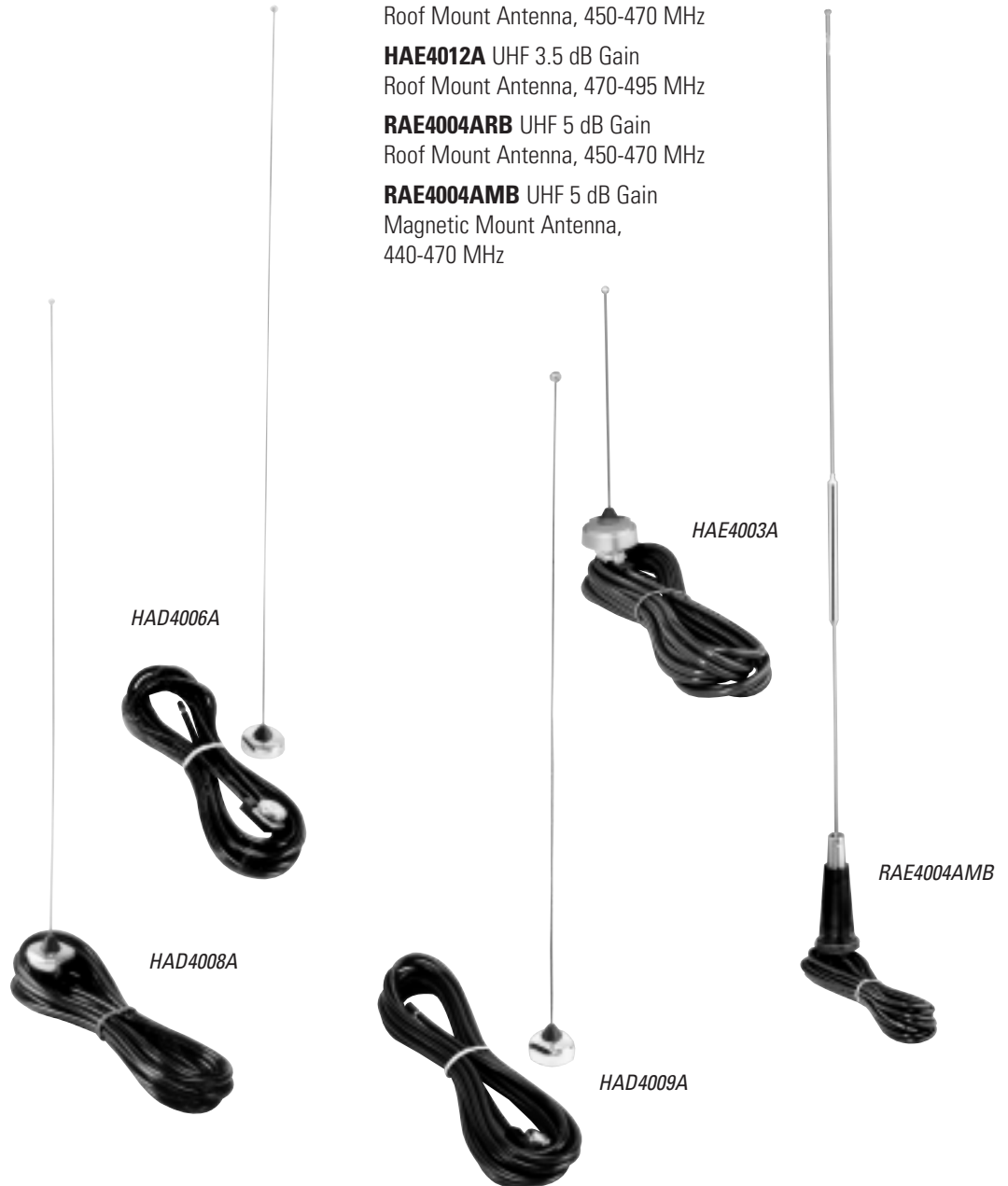
HAE4004A UHF 1/4 Wave Roof Mount Antenna, 470-512 MHz

HAE4011A UHF 3.5 dB Gain Roof Mount Antenna, 450-470 MHz

HAE4012A UHF 3.5 dB Gain Roof Mount Antenna, 470-495 MHz

RAE4004ARB UHF 5 dB Gain Roof Mount Antenna, 450-470 MHz

RAE4004AMB UHF 5 dB Gain Magnetic Mount Antenna, 440-470 MHz



SM50/SM120 Series

Service Aids

Service Aids

Computer Interface Cable

Used to connect computer's serial port to Radio Interface Box.

3080369B71 Computer Interface Cable; RIB to 25 pin D

3080369B72 Computer Interface Cable; RIB to 9 pin D

Radio Interface Box

Links radio programming cable and computer interface together. Provides required voltage shift to enable communications between radio and computer. Requires computer interface cable, radio programming cable and a 9 volt snap type battery (6082728J01) or wall mount power supply, order separately.

RLN4008E Radio Interface Box



Service Aids

SM Series Programming Software

This software enables you to add or reprogram the SM Series as your requirements change. Compatible with IBM XT, AT, Model 30, 50, 60 and 80. Requires Radio Interface Box and proper cables; order separately.

HVN9007E Programming Software, includes diskettes (3-1/2" and 5-1/4"), manual, binder, and storage box.

Program/Test Cable

Acts as a link between RIB and radio; required to program radio.

3080070N01 Program/Test Cable

Power Supply Cable

HKN4191B Power Supply Cable, High Power (60 watt), replaces HKN9402A

HKN4137A Mobile Power Cable, Low Power (25 watt)

Wall Mounted Power Supply

Used to supply power to Radio Interface Box.

0180357A57 Wall Mounted Power Supply (110 volts)

0180358A56 Wall Mounted Power Supply (220 volts)



SM50/SM120 Series

Service Tools, Manuals

Service Tools



RSX4043A

Torque Screwdriver

Measures the amount of torque being applied. Recommended for precise radio assembly. Bits must be ordered separately.

RSX4043A Adjustable Torque Screwdriver

Crimping Tool

For installations requiring crimping of Mini-UHF connector.

6680388A26 Crimping Tool



6680388A26

Test Adapter

Used to manually key radio. Must be attached to Program/Test Cable

RLN4137A Test Adapter



RLN4137A



6680388A13

Battery Cable Adapter

6680388A13 Side Mount Battery Cable Adapter

VCO Test Cable

Interfaces mobile's RF board to test equipment for troubleshooting (not required for all mobiles.)

3080373B41 VCO Test Cable

Service Tools

Antenna Adapters

5880367B22 Mini-UHF Adapter

2880376E84 Mini-UHF Connector

HKN9088B Mini-UHF to UHF Adapter – 8 foot cable



5880367B22

Cloning Cable

HKN9755A Allows radio to be duplicated from a master radio by transferring programmed data from one radio to another.

Test Cable

0180352A01 Mini U to BNC Cable (3 ft.) Connects mobile to RF test instruments.

Manuals

6880904Z10 SM Series Installation Manual

6880903Z45 SM Series Service Manual

6880903Z46 SM50 Operators Manual

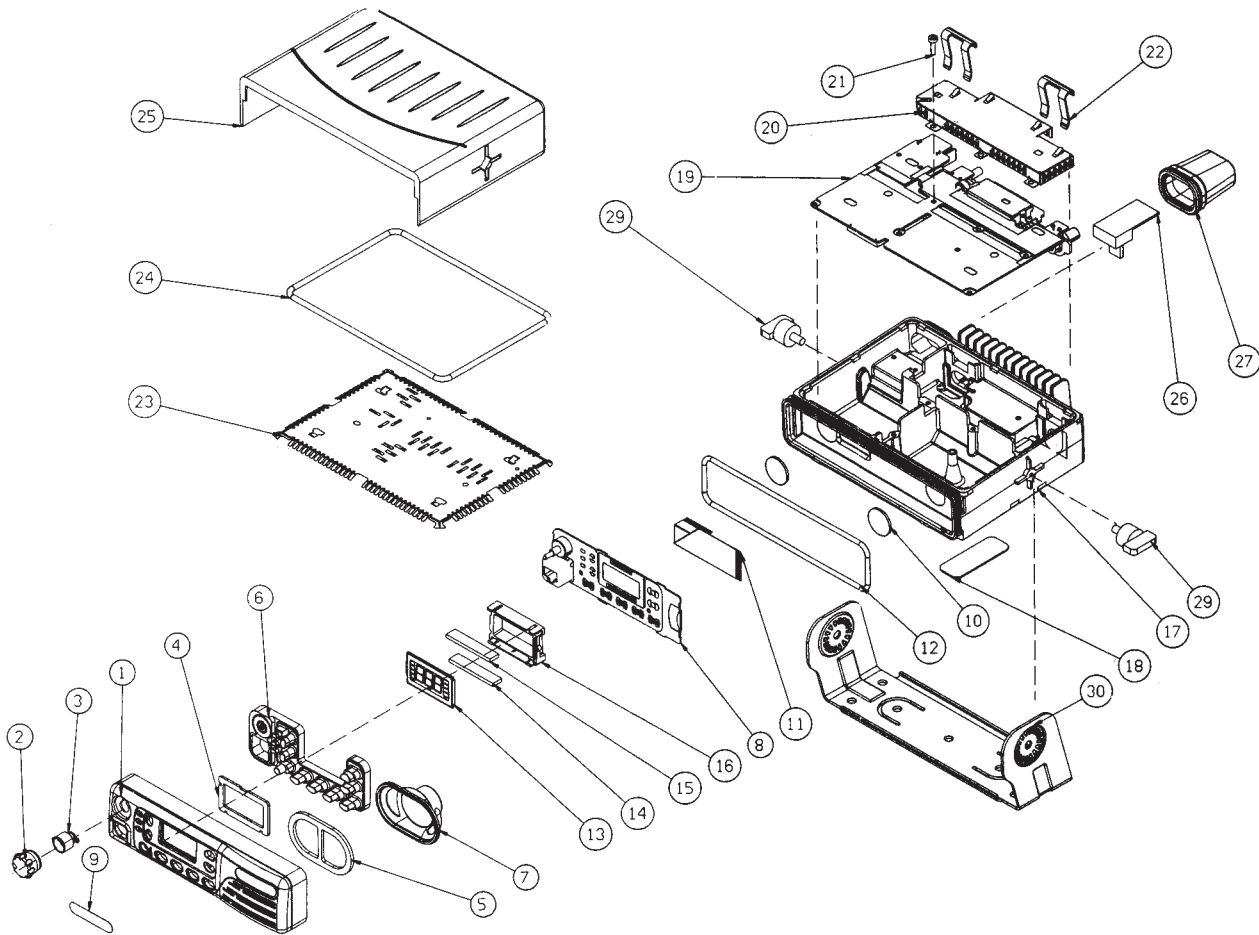
6880903Z74 SM50 Operators Card

6880903Z88 SM120 Operators Manual

6880903Z89 SM120 Operators Card

GTX Series

Parts List



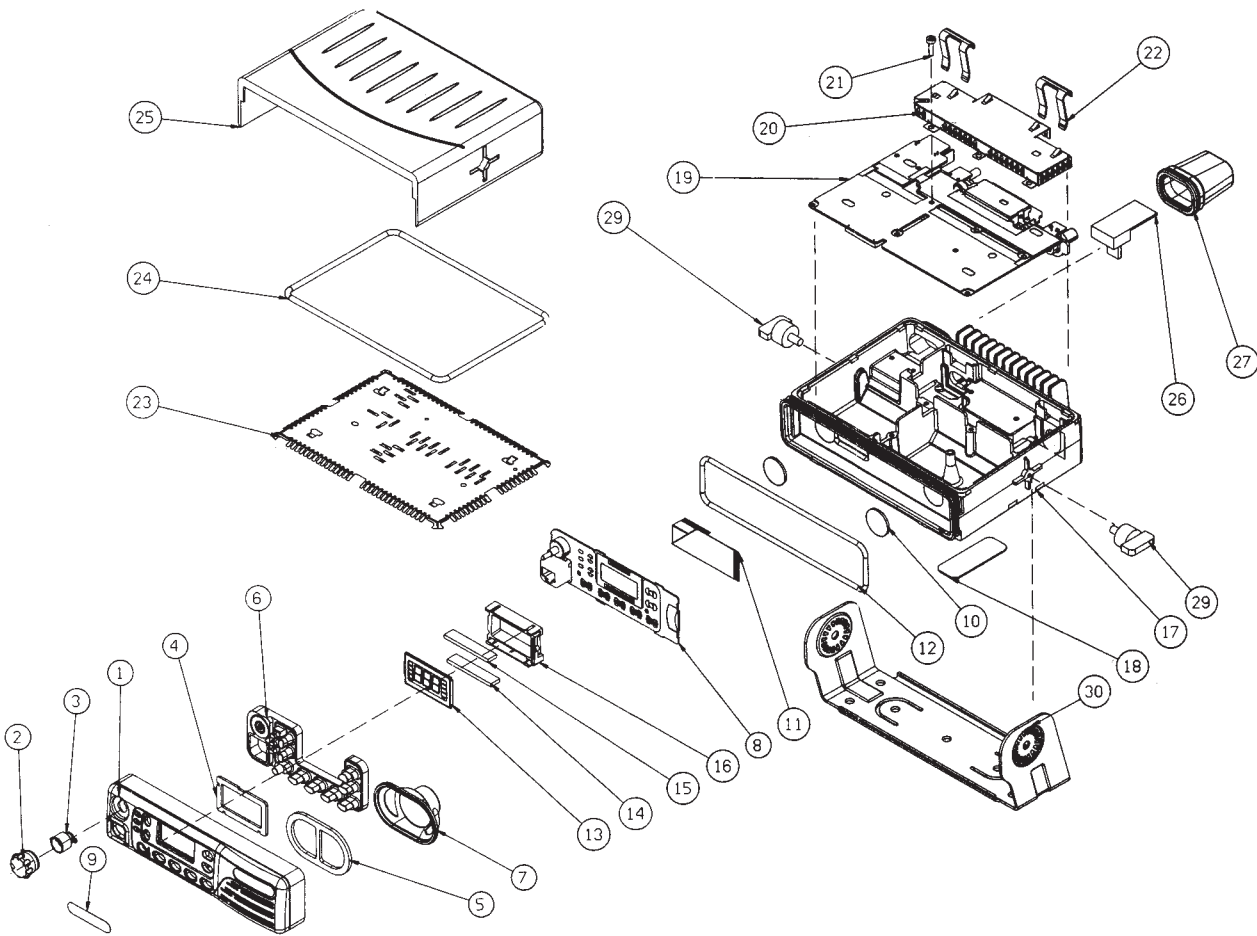
Parts List

GTX 800 MHz Privacy Plus and LTR

REF. NO.	PART NO.	DESCRIPTION	REF. NO.	PART NO.	DESCRIPTION
1	0102706K91	Housing	17	2780354K01	Chassis
2	3605422W02	Volume knob, exterior	18*	---	Label, FCC
3	3608147K01	Volume knob, interior	19	FLF5582A	Main Board
4	3280511L01	Gasket, LCD frame	20	2680519K01	Shield, PA
5	3205932V02	Gasket, speaker	21	0310907A20	Screw, mechanical, M3 x 0.5 x 10
6	7580358K01	Keypad	22	4205938V01	Spring, clip
7	5002236P05	Speaker	23	2680439K01	Shield, cover
8	FLN8530	Board, control head	24	3202619Y01	Pad
9	5480643K01	Label, logo	25	1580650K01	Assembly, cover
10	3280494K01	Pad, speaker	26	0102705K33	Accessory Kit
11	8402618Y01	Circuit, flexible	27	3202606Y01	Gasket, accessory connector
12	3202620Y01	Gasket, control head	29	0302637Y01	Screw, wing
13	7202631Y01	Display, LCD	30	GLN7317A	Trunnion Kit incl. Item 29, Trunnion and mounting screws
14	2802638Y01	Connector			
15	2802638Y02	Connector			
16	0780360K01	Frame, LCD			

* Not field replaceable

Parts List



Parts List

GTX 900 MHz Privacy Plus and LTR

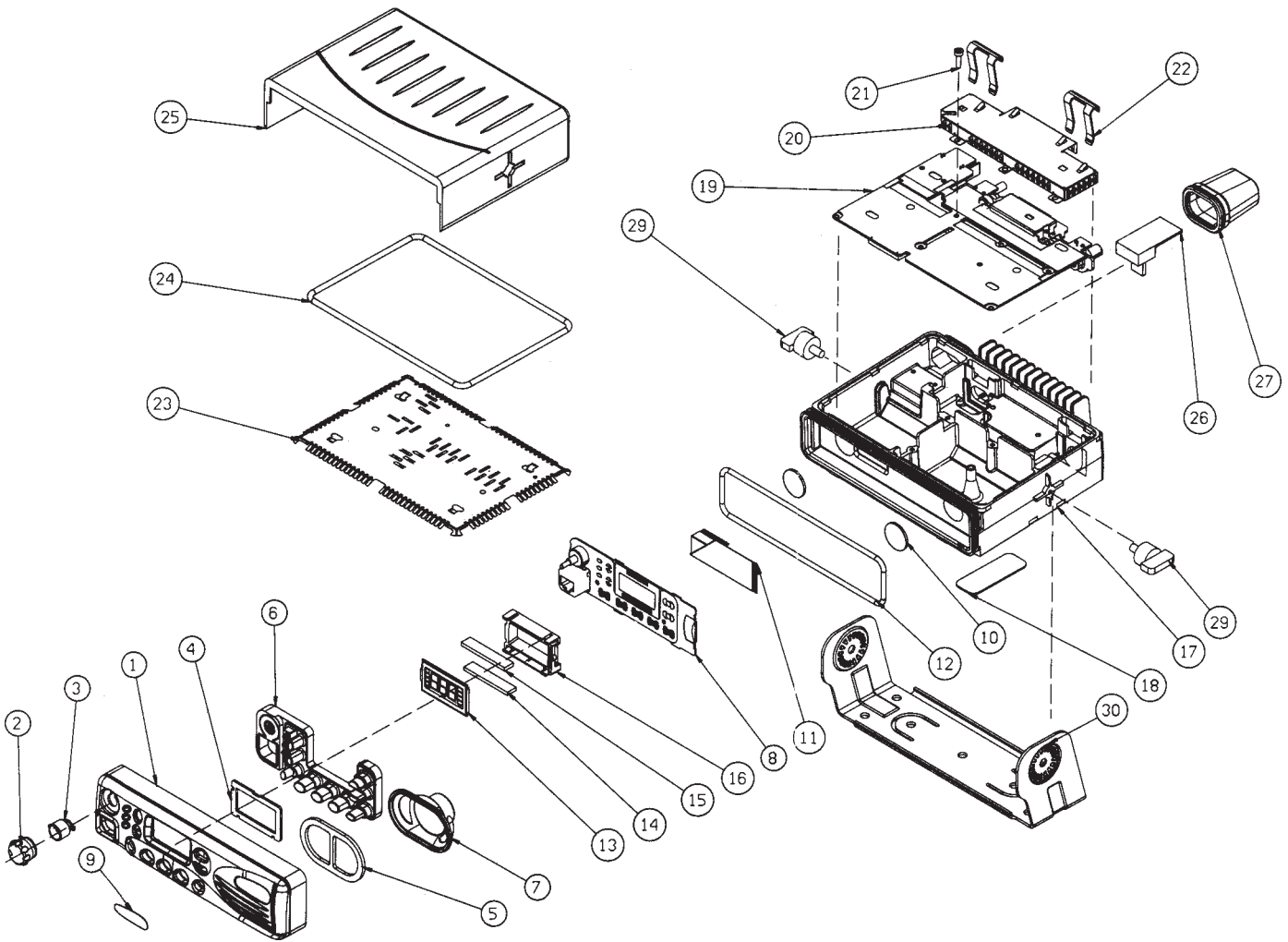
REF. NO.	PART NO.	DESCRIPTION	REF. NO.	PART NO.	DESCRIPTION
1**	0102706K91	Housing	18*	---	Label, FCC
2	3605422W02	Knob, exterior volume	19	FLF1023	Main Board
3	3608147K01	Knob, interior volume	20	2680519K01	Shield, PA
4**	3280511L01	Gasket, LCD frame	21	0310907A20	Screw, mechanical, M3 x 0.5 x 10
5	3205932V01	Gasket, speaker	22	4205938V01	Spring, clip
6	7580358K01	Keypad	23	2680439K01	Shield, cover
7	5002236P05	Speaker	24	3202619Y01	Pad
8	FCN1630	Board, control head	25	1580650K01	Assembly, cover
9	5480643K01	Label, logo	26	0102705K33	Accessory Kit
10	3280494K01	Pad, speaker	27	3202606Y01	Gasket, accessory connector
11	8402618Y01	Circuit, flexible	29	0302637Y01	Screw, wing
12	3202620Y01	Gasket, control head	30	GLN7317A	Trunnion Kit incl. Item 29, Trunnion and mounting screws
13	7202631Y01	Display, LCD			
14	2802638Y03	Connector, Zebra			
15	2802638Y04	Connector, Zebra			
16	0780360K01	Frame, LCD			
17	2780354K01	Chassis			

* Not field replaceable

** Reference Symbol Nos. 1 & 4 will bear one part No. 0102706K91

LCS2000 Series

Parts List



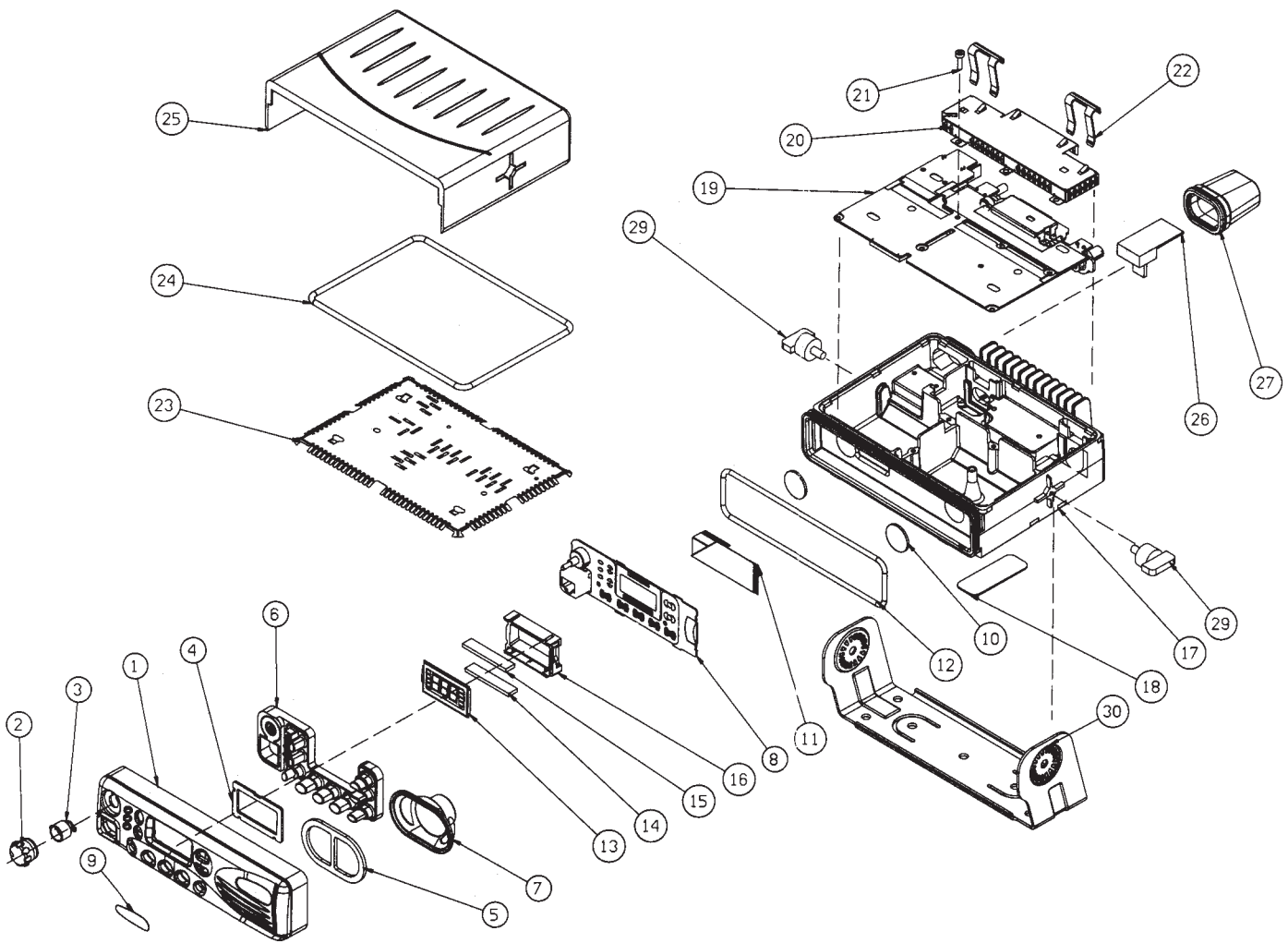
LCS2000 Series
Parts List
800 MHz

REF. NO.	PART NO.	DESCRIPTION	REF. NO.	PART NO.	DESCRIPTION
1	0102706K90	Housing	17	2780354K01	Chassis
2	3605422W02	Volume knob, exterior	18*	---	Label, FCC
3	3608147K01	Volume knob, interior	19	FLF5582A	Main Board
4	3280511L01	Gasket, LCD frame	20	2680519K01	Shield, PA
5	3205932V02	Gasket, speaker	21	0310907A20	Screw, mechanical, M3 x 0.5 x 10
6	7580359K01	Keypad	22	4205938V01	Spring, clip
7	5002236P05	Speaker	23	2680439K01	Shield, cover
8	HCN3018	Board, control head	24	3202619Y01	Pad
9	5480643K01	Label, logo	25	1580355K01	Assembly, cover
10	3280494K01	Pad, speaker	26	0102705K33	Accessory Kit
11	8402618Y01	Circuit, flexible	27	3202606Y01	Gasket, accessory connector
12	3202620Y01	Gasket, control head	29	0302637Y01	Screw, wing
13	7202631Y01	Display, LCD	30	GLN7317A	Trunnion Kit incl. Item 29, Trunnion and mounting screws
14	2802638Y01	Connector			
15	2802638Y04	Connector			
16	0702643Y01	Frame, LCD			

* Not field replaceable

LCS2000 Series

Parts List



LCS2000 Series

Parts List

900 MHz

REF. NO.	PART NO.	DESCRIPTION	REF. NO.	PART NO.	DESCRIPTION
1**	0102706K90	Housing	18*	---	Label, FCC
2	3605422W02	Knob, exterior volume	19	FLF5588A	Main Board
3	3608147K01	Knob, interior volume	20	2680519K01	Shield, PA
4**	3280511L01	Gasket, LCD frame	21	0310907A20	Screw, mechanical, M3 x 0.5 x 10
5	3205932V01	Gasket, speaker	22	4205938V01	Spring, clip
6	7580359K01	Keypad	23	2680439K01	Shield, cover
7	5002236P05	Speaker	24	3202619Y01	Pad
8	FCN1630	Board, control head	25	1580355K01	Assembly, cover
9	5480643K01	Label, logo	26	0102705K33	Accessory Kit
10	3280494K01	Pad, speaker	27	3202606Y01	Gasket, accessory connector
11	8402618Y01	Circuit, flexible	29	0302637Y01	Screw, wing
12	3202620Y01	Gasket, control head	30	GLN7317	Trunnion Kit incl. Item 29, Trunnion and mounting screws
13	7202631Y01	Display, LCD			
14	2802638Y03	Connector, Zebra			
15	2802638Y04	Connector, Zebra			
16	0702643Y01	Frame, LCD			
17	2780354K01	Chassis			

* Not field replaceable

** Reference Symbol Nos. 1 & 4 will bear one part No. 0102706K91

GTX/LCS2000 Series

Mobile Accessories

Microphones



HMN3220B Standard Compact Microphone

HMN1035C Full Size Palm Microphone

HMN3013A Non-Backlit Full Size DTMF Microphone

HMN1035C

Speakers

Provides audio for high ambient noise environments.

FSN5510A 7.5W External Speaker



FSN5510A

Control Station

Converts the mobile radio for desktop use for dispatch purposes.

HLN3067B Low Power Control Station Package, includes: adapter cable, base tray, black desk mic, and power supply

Control Station Accessories

HPN4002B Control Station Power Supply



HPN4002B

HLN6405A Base Station Tray

HMN3000B Desk Microphone

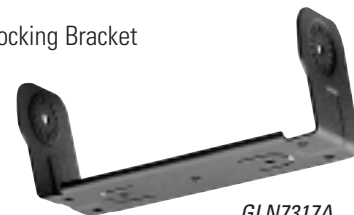
HKN9088B Adapter Cable



HMN3000B

Mounting Brackets

GLN7317A Non-locking Bracket



GLN7317A

GTX/LCS2000 Series

**Accessories,
Antennas**

Cables

GKN6270A Standard Power Cable

GKN6271A Ignition Switch Cable

Alarms

GKN6272AR External Alarm Relay Cable Kit

GLN7323A Emergency Foot Switch

Antenna Adapters

HKN9557A Mini UHF to UHF Adapter Cable

2880376E84 Mini UHF Antenna Connector



Antennas

800 MHz

HAF4002A 1/4 Wave, roof top (806-900 MHz)

RRA4914A 3dB, roof top, stainless steel (806-900 MHz)

RRA4990A 3dB, roof top, black chrome (806-900 MHz)

RRA4983A 3dB, roof top, low loss, stainless steel (806-900 MHz)

RRA4986A 3dB, roof top, low loss, black chrome (806-900 MHz)

900 MHz

RRA4935A 3dB, roof top with 14ft. cable (890-960 MHz)

RAF4003ARM 3dB, roof top with 22ft. cable (890-960 MHz)



RRA4935B



HAF4002A

Service Aids

Service Aids

Radio Interface Box

Links radio programming cable and computer interface together. Provides required voltage shift to enable communications between radio and computer. Requires computer interface cable, radio programming cable, and a 9 volt snap type battery (6082728J01) or wall mount power supply, order separately.



RLN4008E

RLN4008E Radio Interface Box

Wall Mount Power Supply



0180357A57

Used to supply power to Radio Interface Box.

0180357A57 Wall Mounted Power Supply (110 volts)

0180358A56 Wall Mounted Power Supply(220 volts)

Program/Test Cable

3080070N01 Required to program radio; acts as a link between Radio Interface Box and radio.

Service Aids

Computer Interface cable

Used to connect computer's serial port to Radio Interface Box.

3080369B71 Computer Interface Cable; RIB to 25 pin D

3080369B72 Computer Interface Cable; RIB to 9 pin D

Programming Software

Utilizing your personal computer, this software enables you to add/or reprogram frequencies as your requirements change. Compatible with IBM XT, AT, Model 30, 50, 60 and 80. Requires Radio Interface Box and proper cables; order separately.

RVN4150G Programming Software for GTX and GTX LTR Radios, 3-1/2" Diskette, includes binder and manual (6802948C70).

RVN4156K Programming Software for LCS2000 Radios, 3-1/2" Diskette, includes binder and manual (6802946C20).

GTX/LCS2000 Series

Service Tools, Manuals

Service Tools

DC Power Cable

GKN6270A Interconnects radio to power supply

Test Fixture/Cable

RLN4460C Test box used for radio testing

FKN4588A Test Cable connects between radio and RLN4460A

Service Manuals

6802945C70 Service Manual, 800 MHz

6802948C85 Service Manual, 900 MHz



c370/c470 Series

Accessories, Antennas

Audio Accessories

Handset

Contains full backlit keypad, earpiece, microphone and speaker, 3 line 11 character backlit display. Mounts easily on a hang-up cup. Handset label sold separately.

HLN6519A Motorola Label

FLN2270A Handset



FLN2270A



HMN4060B

Desk Microphone

Allows dispatcher to conveniently dispatch calls from desktop control station. For use with dispatch-only mobiles.

HMN4060B Desk Microphone

Desktop Cradle

Contains built-in microphone, speaker, and PTT. Enables hands-free operation for phone; enables on-hook dispatch calls. Cradle label sold separately.

HLN6521A Motorola Label

FLN2320A Desktop Cradle

Control Station Accessories

HPN4004A Control Station

Power Supply provides power to control station units, supplied with DC cable; 120/220/240V AC, 50/60 Hz operation



HPN4004A

Antennas



HAF4002A

Part Number: **HAF4002A**

Frequency: 806-900 MHz

Power: 100 watts

Gain: Unity

Impedance: 50 ohms

Mounting Kit: Roof Mount with 14' RG58A/U

Cable and Mini-UHF

Connector

Nut: Chrome

Part Number: **HAF4003A**

Frequency: 806-900 MHz

Power: 100 watts

Gain: Unity

Impedance: 50 ohms

Mounting Kit: Trunk Lip Mount with 14' RG58A/U Cable and Mini-UHF

Connector

Nut: Chrome

c370/c470 Series

Antennas

Antennas



Part Number: **RRA4914B**
 Frequency: 806-900 MHz
 Power: 100 watts
 Gain: 3 dB
 Impedance: 50 ohms
 Mounting Kit: Roof Mount with
 RG58A/U Cable
 and Mini-UHF
 Connector
 Nut: Stainless Steel

Part Number: **RRA4990A**
 Frequency: 806-900 MHz
 Power: 100 watts
 Gain: 3 dB
 Impedance: 50 ohms
 Mounting Kit: Roof Mount with
 RG58A/U Cable
 and Mini-UHF
 Connector
 Nut: Black Chrome

Part Number: **RRA4983A**
 Frequency: 806-900 MHz
 Power: 100 watts
 Gain: 3 dB
 Impedance: 50 ohms
 Mounting Kit: Roof Mount with
 Low Loss Cable
 and Mini-UHF
 Connector
 Nut: Stainless Steel

Antennas



Part Number: **RRA4986A**
 Frequency: 806-900 MHz
 Power: 100 watts
 Gain: 3 dB
 Impedance: 50 ohms
 Mounting Kit: Roof Mount with
 Low Loss Cable
 and Mini-UHF
 Connector
 Nut: Black Chrome

Part Number: **RRA4923B**
 Frequency: 806-900 MHz
 Power: 100 watts
 Gain: 3 dB
 Impedance: 50 ohms
 Mounting Kit: Trunk Lip Mount
 with RG58A/U
 Cable and
 Mini-UHF
 Connector
 Nut: Stainless Steel

c370/c470 Series

Antennas, Service Aids

Antennas

Part Number: **RRA4921C**
Frequency: 806-900 MHz
Power: 100 watts
Gain: 3 dB
Impedance: 50 ohms
Mounting Kit: Magnet Mount
with RG58A/U
Cable and
Mini-UHF
Connector
Nut: Stainless Steel

Part Number: **RRA4976B**
Frequency: 806-900 MH
Power: 100 watts
Gain: 3 dB
Impedance: 50 ohms
Mounting Kit: Magnet Mount
with RG58A/U
Cable and
Mini-UHF
Connector
Nut: Black Chrome

Part Number: **RAF4136AMM**
Frequency: 806-860 MHz
Power: 15 watts
Gain: 3dB
Impedance: 50 ohms
Mounting Kit: Magnet Mount
with 12'
RG174/U Cable
and Mini-UHF
Connector



Service Aids

Cables

Remote Connection Cable supplies all connection for remote mounted radio; connects accessory connector to hang-up cup; connects mobile and audio test box to hang-up cup; enables connection of hands-free mic and external speaker. Includes wires for ignition sense, external alarm, remote PTT.

FKN5050B Remote Connection Cable, 5 meter

FKN4131B Remote Connection Cable, 7 meter

3080373B42 Mini UHF to N RF Cable; connects antenna port to RF test equipment

Adapter

5880367B21 Mini UHF Male to N Female Adapter; connects antenna port to RF test equipment

Test Equipment

RLN4460C Audio Test Box; provides interface to radio to allow connection to test equipment

R1576A Digital Test Meter; measures AC and DC voltages

c370/c470 Series

Service Aids, Manuals

Service Aids

Programming Equipment

FLN2196B Flash/Interface Programming Cable connects mobile to the RIB

3080369B72 PC Cable: 9 Pin; connects the RIB to 9 pin computer port

3080369B71 PC Cable: 25 Pin; connects the RIB to 25 pin computer port

RLN4008E Radio Interface Box (RIB); provides electrical interface between the radio and the computer



RLN4008E

Service Aids



0180357A57

0180357A57 RIB Power Supply, 110V; provides a 110V AC power source for the RIB

0180358A56 RIB Power Supply, 220V; provides a 220V AC power source for the RIB

RVN4121K Radio Service Software - US Carriers Only; provides programming and diagnostic functionality for carriers or carrier authorized customers only

RVN4122K Radio Service Software - US Dealers Only; provides programming and diagnostic functionality. Non US customers should contact their carrier

Manuals

6881083C11 Basic Service Manual for: c370, c470, m100, LM100, LM2000, LM3000E, m370, m470

6881083C13 Field Service Manual for: c370, c470, m100, LM100, LM2000, LM3000E, m370, m470

m100/m370/m470 Series

Mobile Accessories

Audio Accessories

Hands-Free Microphone

Attaches to vehicle's visor, enables convenient hands-free phone conversations.

FMN1611C Hands-free microphone, for all models

FLN8834A Remote PTT, for all models



Compact Microphone

Small, lightweight microphone for use with dispatch-only mobiles or portable car kits, coiled cord attachment for ease of use, easy access side mounted PTT.

HMN4058A Compact Microphone; for m100 only

Handset

Contains full backlit keypad, earpiece, microphone and speaker, 3 line 11 character backlit display. Mounts easily on a hang-up cup. Handset label sold separately.

HLN6519A Motorola Label

FLN2270A Handset for m370 and m470



Speakers

HSN4029A 5.5" external dash mount speaker provides louder audio for in-vehicle listening, 7.5 watt audio power, adjustable angle mounting trunnion. Supplied with accessories plug for connection to mobile accessory connector. For m100 only



Audio Accessories

HSN4030A 5.5" external remote mount speaker provides louder audio for in-vehicle listening, 7.5 watt audio power, adjustable angle mounting trunnion. Supplied with connector to remote connection cable. For m370 and m470

Desktop Cradle

Contains built-in microphone, speaker, and PTT. Enables hands-free operation for phone; enables on-hook dispatch calls. Cradle label sold separately.

HLN6521A Motorola Label

FLN2320A Desktop Cradle

Miscellaneous Accessories

External Call Alert Alarm

Alerts user via vehicle's horn and/or lights that an incoming phone call, call alert, or private call is being received.

HLN6542A External Call Alert Alarm for m100 and m370



Hang-Up Clips/Cups

HLN9073B Hang-Up Clip for Compact Mic; for m100 only

FLN2268B Hang-Up Cup for Data Capable Mobiles ONLY. Mounts in vehicle to provide convenient storage location for handset; features built-in light for easy night viewing of handset, supports 4-wire data ONLY. Use with m370 and m470.

HLN6537B Hang-Up Cup Bracket with adjustable angle mounting; for use with m370 and m470

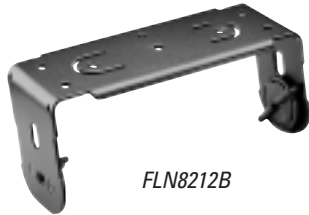


m100/m370/m470 Series

Accessories, Antennas

Miscellaneous Accessories

Radio Trunnion



FLN8212B

FLN8212B Radio Trunnion, compatible with dash, trunk, and under seat mounting; can be tilted to change viewing angle; for all models

HLN6536A Radio Trunnion Key Lock provides additional security to mobile unit; covers mounting trunnion's (FLN8212) screws; for all models

Cables

HKN6123A Replacement Cable; connects handset to external desktop cradle with speaker; for m370 and m470

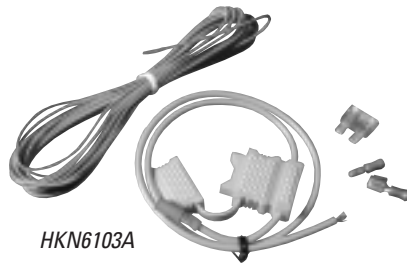
Handset Connection Cable for m370 and m470

HKN6124A Handset Connection Cable, 5 meter

HKN6125A Handset Connection Cable, 3 meter

HKN6131A Handset Connection Cable, 7 meter

HKN6103A Ignition Sense Cable, 6 foot; connects radio to ignition switch terminal; for all models



HKN6103A

Remote Connection Cable supplies all connection for remote mounted radio, connects accessory connector to hang-up cup, enables connection of hands-free mic and external speaker. Includes wires for ignition sense, external alarm, remote PTT.

FKN4130B Remote Connection Cable, 3 meter

FKN5050B Remote Connection Cable, 5 meter

FKN4131B Remote Connection Cable, 7 meter

Antennas



HAF4002A

Part Number: **HAF4002A**
 Frequency: 806-900 MHz
 Power: 100 watts
 Gain: Unity
 Impedance: 50 ohms
 Mounting Kit: Roof Mount with 14' RG58A/U Cable and Mini-UHF Connector
 Connector: Chrome
 Nut: Chrome

Part Number: **HAF4003A**
 Frequency: 806-900 MHz
 Power: 100 watts
 Gain: Unity
 Impedance: 50 ohms
 Mounting Kit: Trunk Lip Mount with 14' RG58A/U Cable and Mini-UHF Connector
 Connector: Chrome
 Nut: Chrome

Part Number: **RRA4914B**
 Frequency: 806-900 MHz
 Power: 100 watts
 Gain: 3 dB
 Impedance: 50 ohms
 Mounting Kit: Roof Mount with RG58A/U Cable and Mini-UHF Connector
 Connector: Stainless Steel
 Nut: Stainless Steel



RRA4914B

Part Number: **RRA4990A**
 Frequency: 806-900 MHz
 Power: 100 watts
 Gain: 3 dB
 Impedance: 50 ohms
 Mounting Kit: Roof Mount with RG58A/U Cable and Mini-UHF Connector
 Connector: Black Chrome
 Nut: Black Chrome

m100/m370/m470 Series

Antennas

Antennas

Part Number: **RRA4983A**
Frequency: 806-900 MHz
Power: 100 watts
Gain: 3 dB
Impedance: 50 ohms
Mounting Kit: Roof Mount with
Low Loss Cable
and Mini-UHF
Connector
Nut: Stainless Steel

Part Number: **RRA4986A**
Frequency: 806-900 MHz
Power: 100 watts
Gain: 3 dB
Impedance: 50 ohms
Mounting Kit: Roof Mount with
Low Loss Cable
and Mini-UHF
Connector
Nut: Black Chrome

Part Number: **RRA4923B**
Frequency: 806-900 MHz
Power: 100 watts
Gain: 3 dB
Impedance: 50 ohms
Mounting Kit: Trunk Lip Mount
with RG58A/U
Cable and
Mini-UHF
Connector
Nut: Stainless Steel



RRA4923B

Antennas

Part Number: **RRA4921C**
Frequency: 806-900 MHz
Power: 100 watts
Gain: 3 dB
Impedance: 50 ohms
Mounting Kit: Magnet Mount
with RG58A/U
Cable and
Mini-UHF
Connector
Nut: Stainless Steel

Part Number: **RRA4976B**
Frequency: 806-900 MHz
Power: 100 watts
Gain: 3 dB
Impedance: 50 ohms
Mounting Kit: Magnet Mount
with RG58A/U
Cable and
Mini-UHF
Connector
Nut: Black Chrome

Part Number: **RAF4136AMM**
Frequency: 806-860 MHz
Power: 15 watts
Gain: 3dB
Impedance: 50 ohms
Mounting Kit: Magnet Mount
with 12'
RG174/U Cable
and Mini-UHF
Connector



RAF4136AMM

m100/m370/m470 Series

Service Aids, Manuals

Service Aids

Cables

NTN1579A Circuit Data Programming Cable for MAC; for use with m470 only

NTN1578A Circuit Data Programming Cable for IBM; for use with m470 only

HKN6604B DC Power Cable; supplies DC to radio, 3 meter; for all models

HKN6605B DC Power Cable; supplies DC to radio, 7 meter; for all models

3080373B42 Mini UHF to N RF Cable; connects antenna port to RF test equipment



NTN1578A

Adapter

5880367B21 Mini UHF Male to N Female Adapter; connects antenna port to RF test equipment

Test Equipment

0180304E80 Attenuator, 50W; attenuates output power to allow proper measurement

RLN4460C Audio Test Box; provides interface to radio to allow connection to test equipment

R1576A Digital Test Meter; measures AC and DC voltages

Service Aids

Programming Equipment

FLN2196B Flash/Interface Programming Cable connects mobile to the RIB

3080369B72 PC Cable: 9 Pin; connects the RIB to 9 pin computer port

3080369B71 PC Cable: 25 Pin; connects the RIB to 25 pin computer port

RLN4008E Radio Interface Box (RIB); provides electrical interface between the radio and the computer



RLN4008E



0180357A57

0180357A57 RIB Power Supply, 110V; provides a 110V AC power source for the RIB

0180358A56 RIB Power Supply, 220V; provides a 220V AC power source for the RIB

RVN4121K Radio Service Software - US Carriers Only; provides programming and diagnostic functionality for carriers or carrier authorized customers only

RVN4122K Radio Service Software - US Dealers Only; provides programming and diagnostic functionality. Non US customers should contact their carrier

REX1174A Programming Kit; contains FLN2196, RKN4066, RLN4008, 0180357A57, 3080369B71

REX1173A Programming Cable Kit; contains FLN2196, RKN4066; combines mobile and portable programming cables

Manuals

6881083C11 Basic Service Manual for: c370, c470, m100, LM100, LM2000, LM3000E, m370, m470

6881083C13 Field Service Manual for: c370, c470, m100, LM100, LM2000, LM3000E, m370, m470

6881082C81 M100 Fact Sheet (Sold 100 per pack)

6881082C82 M370 Fact Sheet (Sold 100 per pack)

LM100/LM2000 Series

Mobile Accessories

Audio Accessories

Hands-Free Microphone

Attaches to vehicle's visor, enables convenient hands-free phone conversations.

FMN1611C Hands-free microphone for all models

FLN8834A Remote PTT for all models



Compact Microphone

Small, lightweight microphone for use with dispatch-only mobiles or portable car kits, coiled cord attachment for ease of use, easy access side mounted PTT.

HMN4058A Compact Microphone, for LM100 only

Handset

Contains full backlit keypad, earpiece, microphone and speaker, 3 line 11 character backlit display. Mounts easily on a hang-up cup. Handset label sold separately.

HLN6519A Motorola Label

FLN2270A Handset for LM2000 only



Speakers

HSN4029A 5.5" external dash mount speaker provides louder audio for in-vehicle listening, 7.5 watt audio power, adjustable angle mounting trunnion. Supplied with accessories plug for connection to mobile accessory connector. For LM100



HSN4030A 5.5" external remote mount speaker provides louder audio for in-vehicle listening, 7.5 watt audio power, adjustable angle mounting trunnion. Supplied with connector to remote connection cable. For LM2000

Audio Accessories

Desk Microphone

Allows dispatcher to conveniently dispatch calls from desktop control station. For use with dispatch-only mobiles.

HMN4060B Desk Microphone for LM100 only



Desktop Cradle

Contains built-in microphone, speaker, and PTT. Enables hands-free operation for phone; enables on-hook dispatch calls. Cradle label sold separately.

HLN6521A Motorola Label

FLN2320A Desktop Cradle

Miscellaneous Accessories

External Call Alert Alarm

Alerts user via vehicle's horn and/or lights that an incoming phone call, call alert, or private call is being received.

HLN6542A External Call Alert Alarm for all models



Hang-Up Clips/Cups

HLN9073B Hang-Up Clip for Compact Mic; for LM100 only



FLN2268B Hang-Up Cup for Data Capable Mobiles ONLY. Mounts in vehicle to provide convenient storage location for handset; features built-in light for easy night viewing of handset, supports 4-wire data ONLY; for LM2000 only

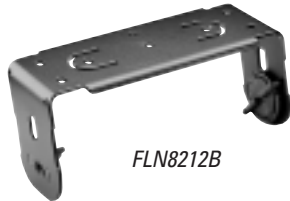
HLN6537B Hang-Up Cup Bracket with adjustable angle mounting; for LM2000 only

LM100/LM2000 Series

Accessories, Antennas

Miscellaneous Accessories

Radio Trunnion



FLN8212B

FLN8212B Radio Trunnion, compatible with dash, trunk, and under seat mounting; can be tilted to change viewing angle; for all models

HLN6536A Radio Trunnion Key Lock provides additional security to mobile unit; covers mounting trunnion's (FLN8212) screws; for all models

Cables

HKN6123A Replacement Cable; connects handset to external desktop cradle with speaker; for LM2000 only

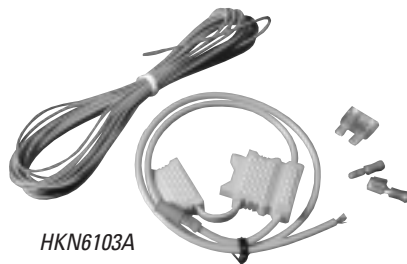
Handset Connection Cable; for LM2000 only

HKN6124A Handset Connection Cable, 5 meter

HKN6125A Handset Connection Cable, 3 meter

HKN6131A Handset Connection Cable, 7 meter

HKN6103A Ignition Sense Cable, 6'; connects radio to ignition switch terminal; for all models



HKN6103A

Remote Connection Cable supplies all connection for remote mounted radio, connects accessory connector to hang-up cup, enables connection of hands-free mic and external speaker. Includes wires for ignition sense, external alarm, remote PTT; for LM2000 only.

FKN4130B Remote Connection Cable, 3 meter

FKN5050B Remote Connection Cable, 5 meter

FKN4131B Remote Connection Cable, 7 meter

Antennas



HAF4002A

Part Number: **HAF4002A**
 Frequency: 806-900 MHz
 Power: 100 watts
 Gain: Unity
 Impedance: 50 ohms
 Mounting Kit: Roof Mount with 14' RG58A/U Cable and Mini-UHF Connector
 Connector: Chrome
 Nut: Chrome

Part Number: **HAF4003A**
 Frequency: 806-900 MHz
 Power: 100 watts
 Gain: Unity
 Impedance: 50 ohms
 Mounting Kit: Trunk Lip Mount with 14' RG58A/U Cable and Mini-UHF Connector
 Connector: Chrome
 Nut: Chrome

Part Number: **RRA4914B**
 Frequency: 806-900 MHz
 Power: 100 watts
 Gain: 3 dB
 Impedance: 50 ohms
 Mounting Kit: Roof Mount with RG58A/U Cable and Mini-UHF Connector
 Connector: Stainless Steel
 Nut: Stainless Steel

Part Number: **RRA4990A**
 Frequency: 806-900 MHz
 Power: 100 watts
 Gain: 3 dB
 Impedance: 50 ohms
 Mounting Kit: Roof Mount with RG58A/U Cable and Mini-UHF Connector
 Connector: Black Chrome
 Nut: Black Chrome



RRA4914B

LM100/LM2000 Series

Antennas

Antennas

Part Number: **RRA4983A**
Frequency: 806-900 MHz
Power: 100 watts
Gain: 3 dB
Impedance: 50 ohms
Mounting Kit: Roof Mount with
Low Loss Cable
and Mini-UHF
Connector
Nut: Stainless Steel

Part Number: **RRA4986A**
Frequency: 806-900 MHz
Power: 100 watts
Gain: 3 dB
Impedance: 50 ohms
Mounting Kit: Roof Mount with
Low Loss Cable
and Mini-UHF
Connector
Nut: Black Chrome

Part Number: **RRA4923B**
Frequency: 806-900 MHz
Power: 100 watts
Gain: 3 dB
Impedance: 50 ohms
Mounting Kit: Trunk Lip Mount
with RG58A/U
Cable and
Mini-UHF
Connector
Nut: Stainless Steel



Antennas

Part Number: **RRA4921C**
Frequency: 806-900 MHz
Power: 100 watts
Gain: 3 dB
Impedance: 50 ohms
Mounting Kit: Magnet Mount
with RG58A/U
Cable and
Mini-UHF
Connector
Nut: Stainless Steel

Part Number: **RRA4976B**
Frequency: 806-900 MHz
Power: 100 watts
Gain: 3 dB
Impedance: 50 ohms
Mounting Kit: Magnet Mount
with RG58A/U
Cable and
Mini-UHF
Connector
Nut: Black Chrome

Part Number: **RAF4136AMM**
Frequency: 806-860 MHz
Power: 15 watts
Gain: 3dB
Impedance: 50 ohms
Mounting Kit: Magnet Mount
with 12'
RG174/U Cable
and Mini-UHF
Connector



LM100/LM2000 Series

Service Aids, Manuals

Service Aids

Cables

HKN6604B DC Power Cable; supplies DC to radio, 3 meter; for all models

HKN6605B DC Power Cable; supplies DC to radio, 7 meter; for all models

3080373B42 Mini UHF to N RF Cable; connects antenna port to RF test equipment

Adapter

5880367B21 Mini UHF Male to N Female Adapter; connects antenna port to RF test equipment

Test Equipment

RLN4460C Audio Test Box; provides interface to radio to allow connection to test equipment

R1576A Digital Test Meter; measures AC and DC voltages

Service Aids

Programming Equipment

FLN2196B Flash/Interface Programming Cable connects mobile to the RIB

3080369B72 PC Cable: 9 Pin; connects the RIB to 9 pin computer port

3080369B71 PC Cable: 25 Pin; connects the RIB to 25 pin computer port

RLN4008E Radio Interface Box (RIB); provides electrical interface between the radio and the computer



RLN4008E



0180357A57

0180357A57 RIB Power Supply, 110V; provides a 110V AC power source for the RIB

0180358A56 RIB Power Supply, 220V; provides a 220V AC power source for the RIB

RVN4121K Radio Service Software - US Carriers Only; provides programming and diagnostic functionality for carriers or carrier authorized customers only

RVN4122K Radio Service Software - US Dealers Only; provides programming and diagnostic functionality. Non US customers should contact their carrier

REX1174A Programming Kit; contains FLN2196, RKN4066, RLN4008, 0180357A57, 3080369B71

REX1173A Programming Cable Kit; contains FLN2196, RKN4066; combines mobile and portable programming cables

Manuals

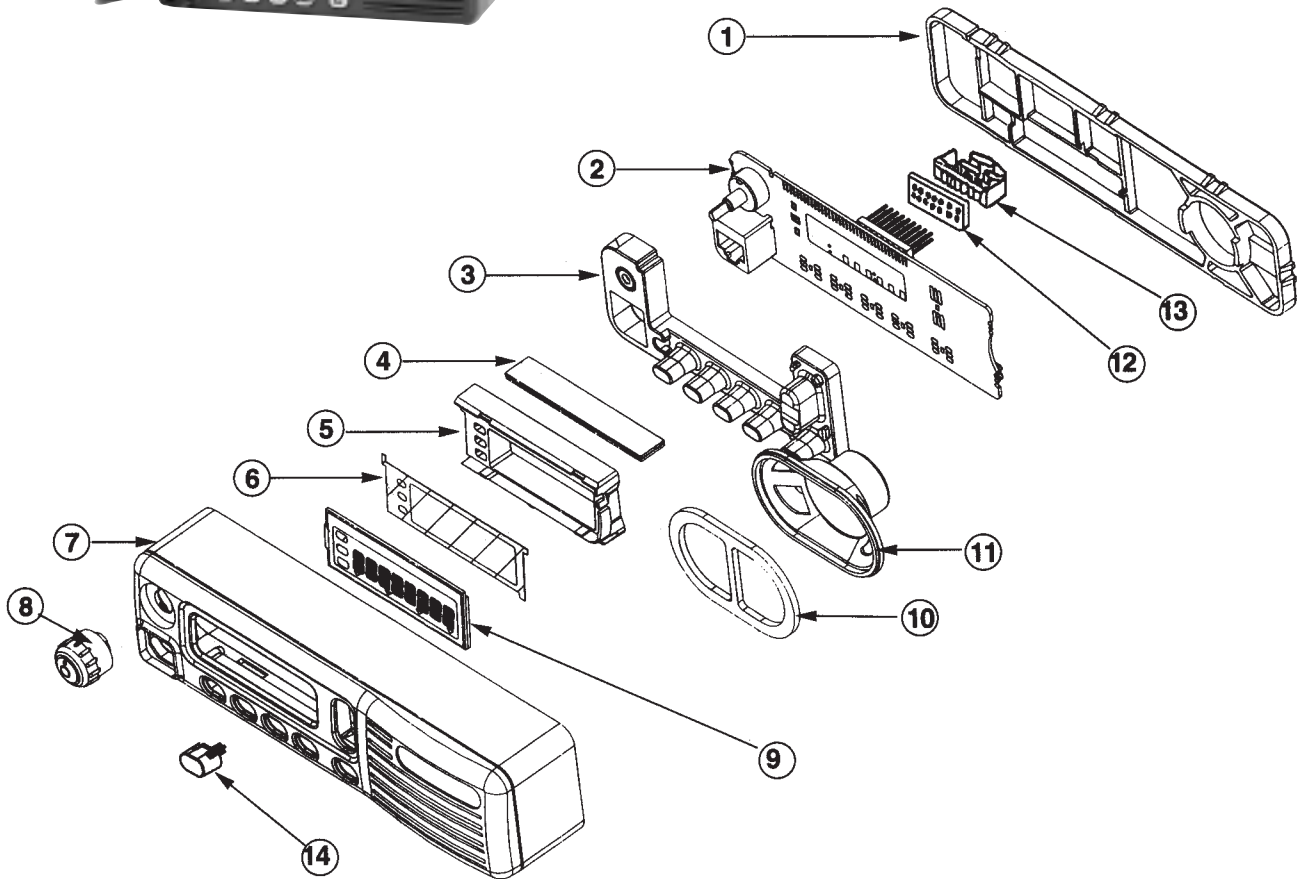
6881083C11 Basic Service Manual for: c370, c470, m100, LM100, LM2000, LM3000E, m370, m470

6881083C13 Field Service Manual for: c370, c470, m100, LM100, LM2000, LM3000E, m370, m470

MCS2000 Series



Parts List



Control Head Model I

REF. NO.	PART NO.	DESCRIPTION
1	0702103U01	Frame Lock
2	0180758T08	Front End
3	7502101U05	Keypad, Elastomeric
4	2802102U01	Connector, Elastomeric
5	0702103U01	Frame, LCD
6	9102100U01	Color Sheet, LCD
7	1502102U05	Housing, Control Head Model I
8	3605893W02	Volume Knob
9	7202100U03	LCD Glass

REF. NO.	PART NO.	DESCRIPTION
10	3205932V02	Gasket, Speaker
11	5005156Z02	Speaker
12	---	Ferrite Plate*
13	1580365K01	Shroud, white*
14	---	Replaceable Pushbutton**

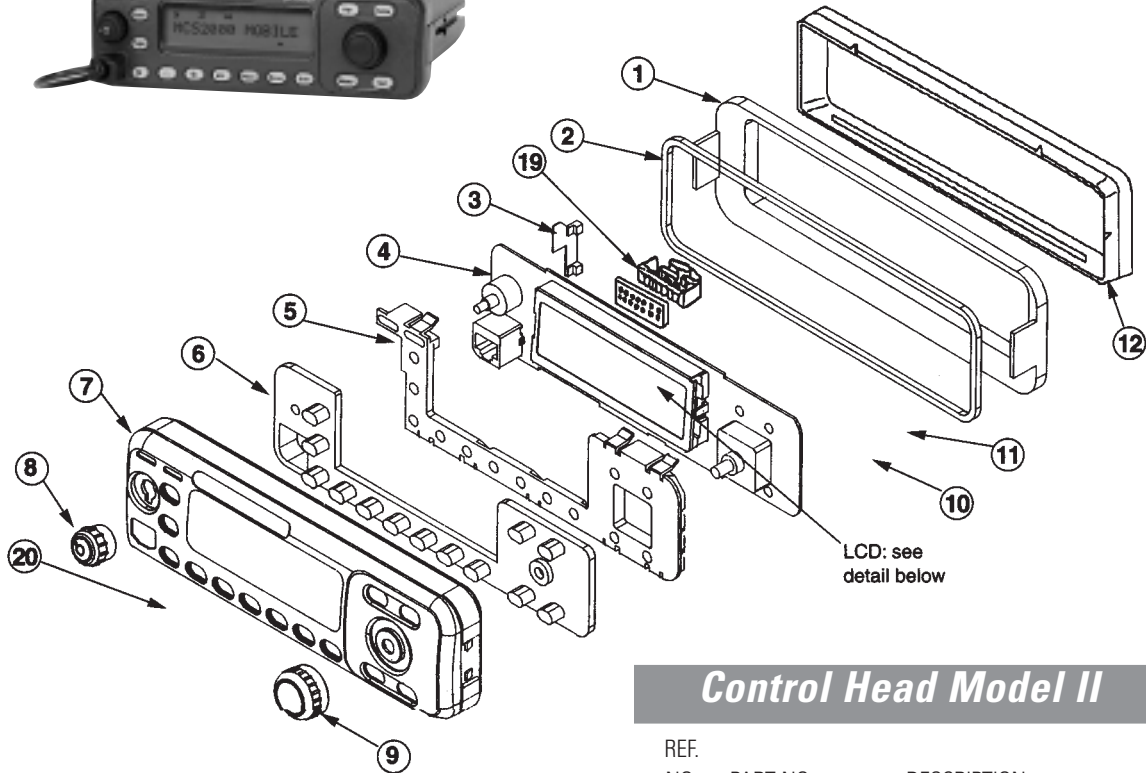
* Parts have been obsoleted on newer kits

** Refer to Service Manual

MCS2000 Series



Parts List

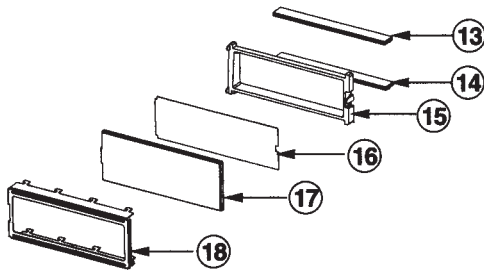


LCD: see detail below

Control Head Model II

REF. NO.	PART NO.	DESCRIPTION
1	1502455Y05	Housing, Back
2	3202462Y03	Gasket, Housing
3	4602100U01	PCB Retainer
4	HCN4058	PCB Assembly*
5	6102082U04	Light Guide
6	7502565Y04	Keypad, standard with Text
6a	7505241Z03	Keypad, for use with Replaceable Pushbuttons
7	1502100U14	Housing, Control Head Model II
8	3605893W02	Volume Knob
9	3602100U01	Rotary Knob
10	---	Ferrite Plate†
11	1580365K01	Shroud, white†
12	0704779P01	Retention Frame
13	2802102U01	Connector, Elastomeric – Gray
14	2802101U01	Connector, Elastomeric – Pink
15	0702103U01	Frame, LCD
16	9102102U01	Reflector Sheet
17	7202076U04	Display Glass
18	1302100U01	Bezel
19	3280542K01	Adhesive Pad
20	---	Replaceable Pushbutton**

LCD Detail



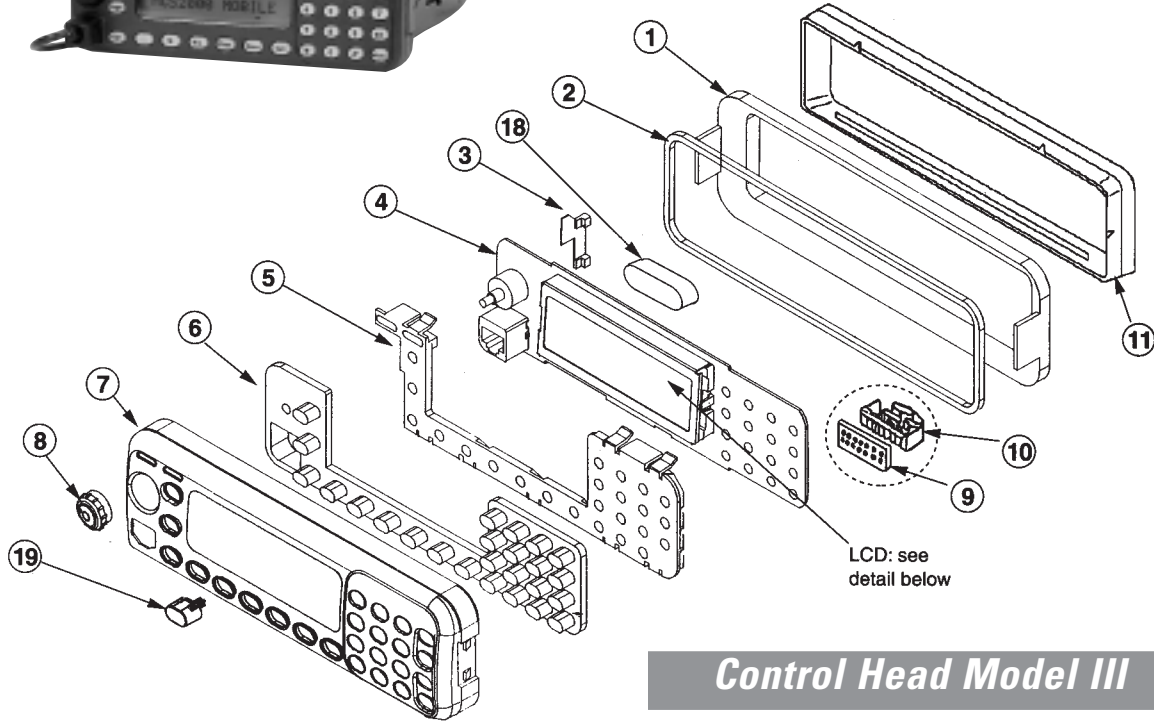
* Radios with SDLN4192 may use HCN4058 as replacement

** Refer to Service Manual

† Parts have been eliminated

MCS2000 Series

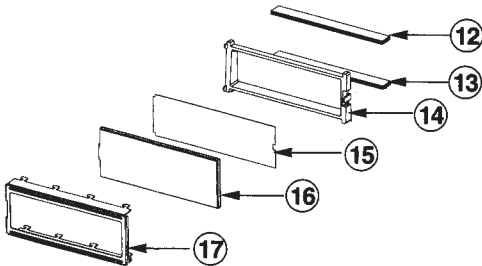
Parts List



Control Head Model III

REF. NO.	PART NO.	DESCRIPTION
1	1502455Y05	Housing, Back
2	3202462Y03	Gasket, Housing
3	4602100U01	PCB Retainer
4	HCN4059	PCB Assembly ¹
5	6102082U04	Light Guide
6	7502566Y04	Keypad
6a	7505242Z03	Keypad, for use with Replaceable Pushbuttons
7	1502100U15	Housing, Control Head Model III
8	3605893W02	Volume Knob
9	---	Ferrite Plate ²
10	1580365K01	Shroud, white ²
11	0704779P01	Retention Frame
12	2802102U01	Connector, Elastomeric – Gray
13	2802101U01	Connector, Elastomeric – Pink
14	0702084U02	Frame, LCD
15	9102102U01	Reflector Sheet
16	7202076U03	Display Glass
17	1302085U01	Bezel
18	3280542K01	Adhesive Pad
19	---	Replaceable Pushbutton ³

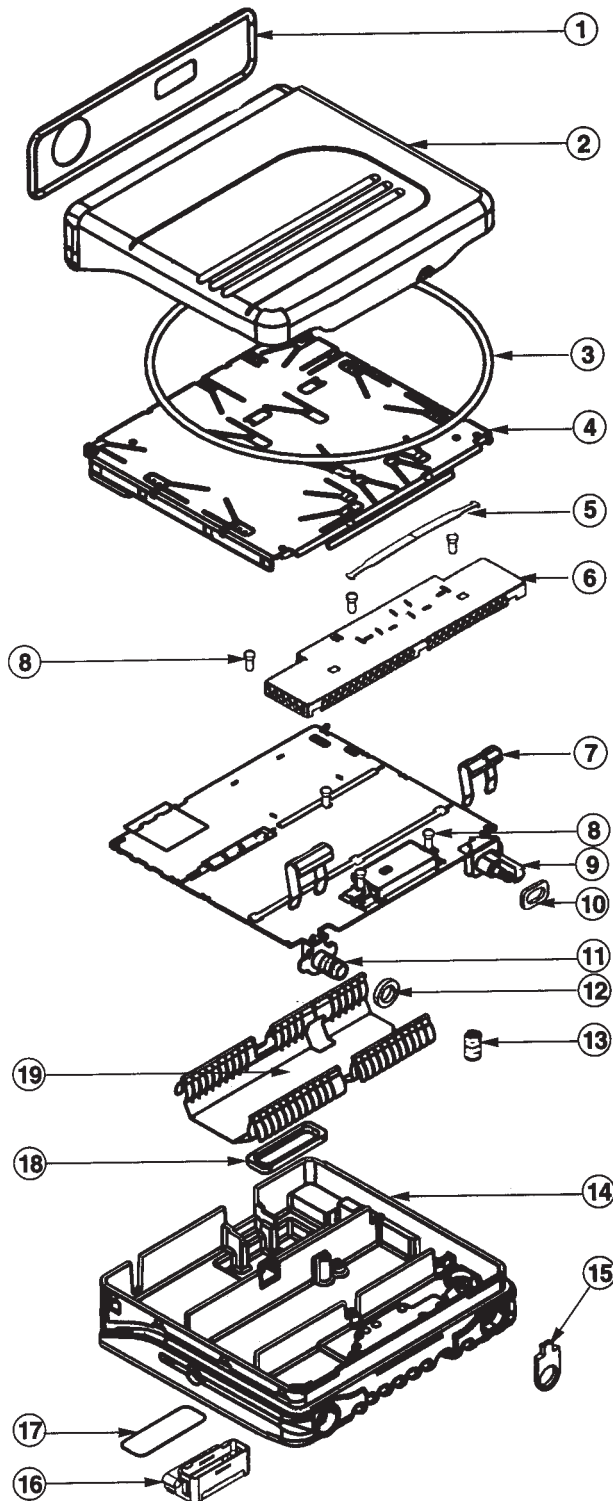
LCD Detail



1 Radios with SDLN4193 may use HCN40589 as replacement
 2 Parts have been eliminated
 3 Refer to Service Manual

Parts List

Low Power Radio

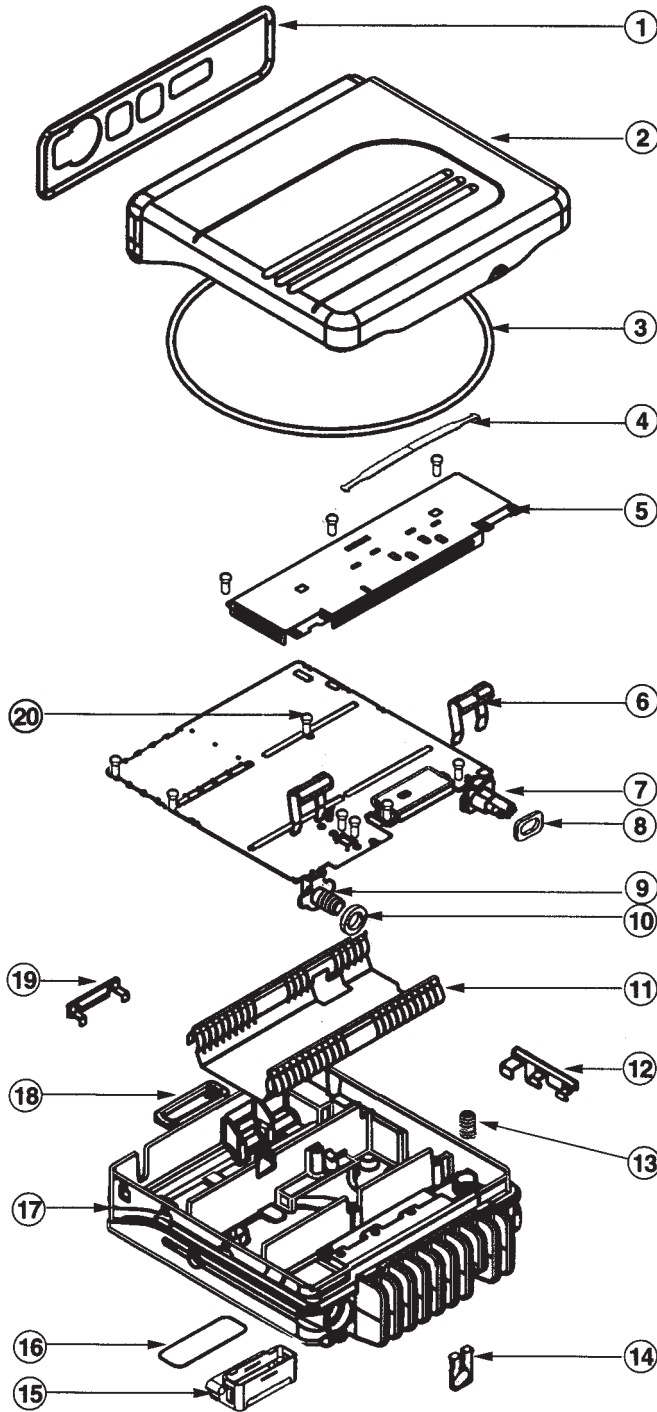


REF. NO.	PART NO.	DESCRIPTION
1	3205931V02	Gasket, Front Cover
2	1505908V02	Top Cover
3	3205934V01	Gasket, Top Cover
4	2605652W02	Pressure Plate
5	5584300B04	Handle, 800 MHz only
6	2604802K01	PA Shield, 800 MHz only
7	4205938V01	Clip Spring, 2 pcs.
8	---	Screw, M3X0.5X10, 6 pcs.*
9	---	Power Connector
10	3205457Z02	Gasket, Power Connector
11	0905901V08	Antenna Connector
12	3205457Z01	Gasket, Antenna Connector
13	4105783W01	Spring Diode
14	2705920V07	Chassis, Low Power
15	4205940V01	Retainer, Accessory Connector Cable
16	HLN6412	Accessory Connector
17	---	Label
18	3205935V01	Gasket, 25 D Connector
19	2604555E01	Board Slot Shield, 800 MHz only

* Number of screws can vary depending on the model.

Parts List

Mid Power Radio

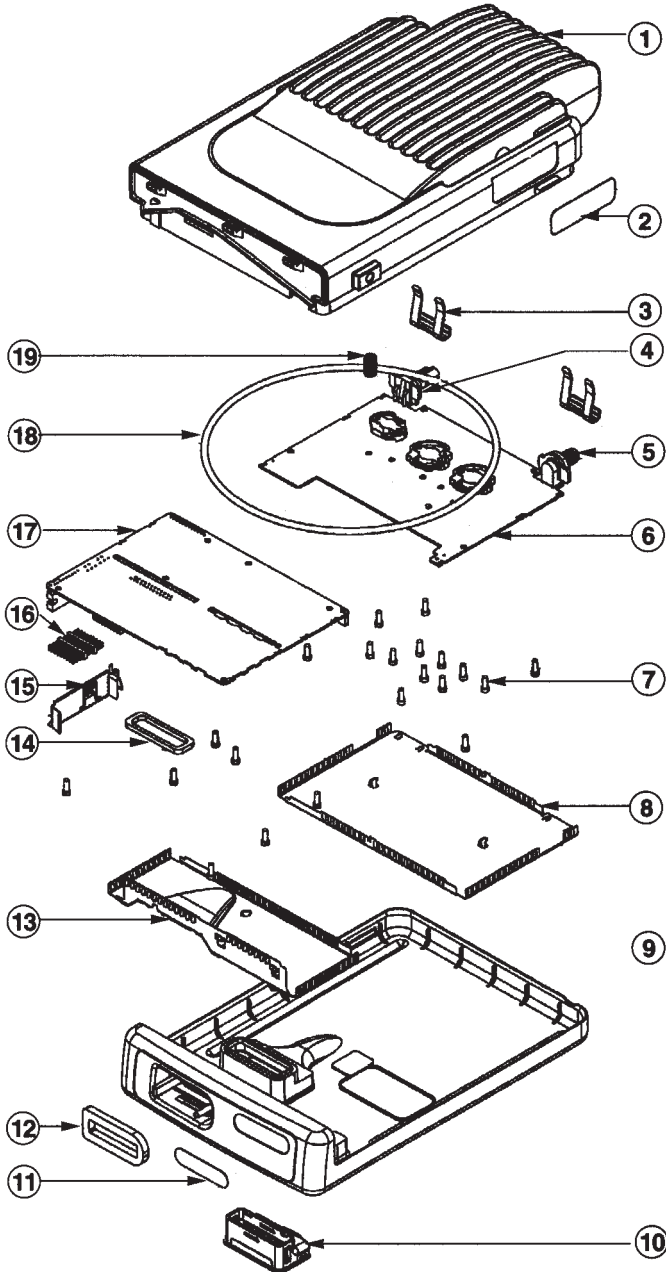


REF. NO.	PART NO.	DESCRIPTION
1	3205931V02	Gasket, Front Cover
2	1505764X01	Top Cover Assembly
3	3205082E97	Gasket, Top Cover
4	5584300B04	Handle
5	2605625X03	PA Shield
6	4205938V01	Clip Spring, 2 pcs.
7	0905902V04	Power Connector
8	3205457Z04	Gasket, Power Connector
9	0905901V08	Antenna Connector
10	3205457Z01	Gasket, Antenna Connector
11	2604693P01	Board Slot Shield, 800 MHz only
12	4205727X02	Clip, Audio PA
13	4105783W01	Spring Diode
14	4205627X01	Retainer, Accessory Connector Cable
15	HLN6412	Accessory Connector
16	3305873U04	Label, Rear Cover
17	2705816W06	Chassis, Mid Power
18	3205935V01	Gasket, 25 D Connector
19	4205496Y01	Clip, PCB
20	0310907A20	Screw M3X0.5X10, 12 pcs.*
21	0310911A12	Screw M3X0.5X10, 6 pcs.*

* Number of screws can vary depending on the model.

Parts List

High Power Radio



REF. NO.	PART NO.	DESCRIPTION
1	2705815W02	Chassis, High Power
2	3305179X01	Name Plate
3	4205938V01	Clip, Spring
4	0905902V04	Power Connector
4a	3205457Z04	Gasket, Power Connector
5	0905901V08	RF Connector
5a	3205457Z01	Gasket, RF Connector
6	HUD4021	PA Board, VHF R1
	or	
	HUD4016	PA Board, VHF R2
	or	
	HUE4018	PA Board, UHF R1
	or	
	HUE4020	PA Board, UHF R2
7	0310911A12	Screw M3X0.5X10, 6 pcs.
7a	0310907A20	Screw M3X0.5X10, VHF 16 pcs./ UHF 18 pcs.
8	2605387Z02	PA Shield with Handle
9	1505849X01	Bottom Cover
10	HLN6412	Accessory Connector
11	3305873U04	Label, Rear Cover
12	---	Gasket, Remote Cable
13	2605265Y02	RF Shield with Handle
14	3205935V01	Gasket, 25 D Connector
15	4205169Y01	Audio PA Clip
16	2805347X02	Plug, High Spec.
17	HUD4019	Transceiver Board, VHF
	or	
	HUE4017	Transceiver Board, UHF
18	3205934V01	Gasket, Top Cover
19	4105783W01	Spring Diode

MCS2000 Series

Mobile Accessories

Microphones

HMN4069E Standard White Palm Microphone

HMN4072E Classic White Palm Microphone

NMN6210D 3x4 Button Keypad Mic (includes 3 additional programmable buttons)

GMN6147B Noise Cancelling Microphone (includes 3 additional programmable buttons)

HMN1085B Handset with Hang Up Cup



HMN4069E

Visor Microphones

Allows user to have hands free communication with the use of a gooseneck PTT or footswitch PTT



HMN1073A

HMN1073A Remote Mount Visor Microphone, (requires GLN7279A or GLN7278A)

GLN7279A Gooseneck PTT, attaches to steering column of vehicle

GLN7278A Footswitch PTT

Microphone Adapter Cables

Allows a second microphone to be added via mobile accessory connector, requires ordering a second PTT microphone HMN4069B or HMN4072B to function.

HKN6129A 17 Foot Adapter Cable for second microphone

HKN6130A 40 Foot Adapter Cable for second microphone

Speakers

HSN4038A 7.5W Water External Resistant Speaker (requires HKN6127 adapter cable for dash mounted compatibility)

HSN4039A 13W External Water Resistant Remote Speaker (requires HKN6127 adapter cable for dash mounted compatibility)

HKN6127A Speaker Adapter Cable



HSN4038A

Control Station Accessories

HMN1038E Standard Desk Microphone

HLN6404A Desk Tray with Speaker Low Power, for use with model II & III

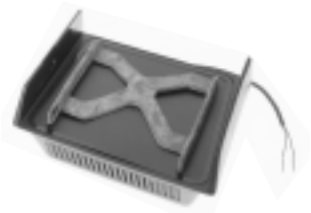
HLN6405A Desk Tray without Speaker Low Power, for use with model I

HPN4002B Power Supply Low Power

HLN6580B Desk Tray with Speaker Mid Power, for use with model II & III

HLN6581A Desk Tray without Speaker Low Power, for use with model I

HPN4001B Power Supply Mid Power



HLN6404A

MCS2000 Series

Accessories, Antennas

Remote Mount Kits

Converts a low or mid power radio from dash to remotemount. Includes 17' control head cable, 20' power cable, 40' power cable, control head back plate and mounting hardware, front plate for the transceiver and an adapter for the speaker

H1634A Remote Mount Retrofit Kit — model I

H1635A Remote Mount Retrofit Kit — model II & III

Remote Mount Kit Accessories

HKN6111B 10 Foot Control Head Cable

HKN6112B 17 Foot Control Head Cable

HKN6113B 22 Foot Control Head Cable

HKN6118B 40 Foot Control Head Cable

Power Cables

HKN4191B 10 Foot Low/Mid Power Cable

HKN4192B 20 Foot Low/Mid Power Cable

HKN6110A 20 Foot High Power Only Cable

Emergency Switch

Enables the user to send an emergency message to a console where their unit ID can be displayed and an alarm sounded.

GLN7280A Emergency Push button

HLN5113B Emergency Footswitch

Miscellaneous Accessories

GLN7282A Alarm Buzzer

HLN6642A Alarm Relay and Cable

HLN6372A Key Lock Mount

HKN6128A Ignition Switch Cable

GKN6262B Car Radio Mute Cabl

Antennas

800 MHz

HAF4002A 1/4 Wave, roof top (806-900 MHz)

RRA4983A 3dB, roof top (806-900 MHz)

900 MHz

RRA4935A 3dB, roof top w/14 ft. cable (890-960 MHz)

RAF4003ARM 3dB, roof top w/22 ft. cable (860-960 MHz)



HAF4002A

MCS2000 Series

Antennas, Service Aids

Antennas

VHF

HAD4006A 1/4 Wave, roof top (136-144 MHz)

HAD4007A 1/4 Wave, roof top (144-152 MHz)

HAD4008A 1/4 Wave, roof top (150.8-162 MHz)

HAD4009A 1/4 Wave, roof top (162-174 MHz)

RAD4010ARB 3dB, roof top (136-174 MHz)

UHF

HAE4002A 1/4 Wave, roof top (403-430 MHz)

HAE4003A 1/4 Wave, roof top (450-470 MHz)

HAE4004A 1/4 Wave, roof top (470-512 MHz)

HAE4010A 3.5dB, roof top (406-420 MHz)

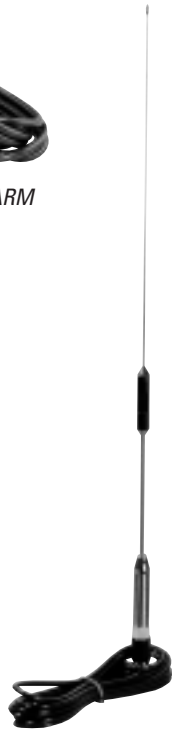
HAE4011A 3.5dB, roof top (450-470 MHz)

HAE4012A 3.5dB, roof top (470-495 MHz)

HAE4013A 3.5dB, roof top (494-512 MHz)



HAE4003ARM



HAE4013A

Service Aids

Programming Software

Utilizing your personal computer, the software enables you to add or reprogram frequencies as your requirements change. Compatible with IBM XT, AT, Model 30, 50, 60 and 80. Requires Radio Interface Box and appropriate cables; must be ordered separately.

DOS-based

RVN4113H Programming Software, 3-1/2" Diskette (includes binder and manual)

Windows-based

RVN4175A Programming Software, 3-1/2" Diskette (includes binder and manual)

Computer Interface Cable

Used to connect computer's serial port to Radio Interface Box.

3080369B71 Computer Interface Cable, RIB to 25 pin D

3080369B72 Computer Interface Cable, RIB to 9 pin D

Programming Cable

Required to program radio, acts as a link between RIB box and Radio.

RKN4063A Programming Cable

Cloning Cable

RKN4062B Cloning Cable

MCS2000 Series

Service Aids, Manuals

Service Aids

Radio Interface Box

Links radio programming cable and computer interface together. Provides required voltage shift to enable communications between radio and computer. Requires computer interface cable, radio programming cable, and a 9 volt snap type battery (6082728J01) or wall mount power supply. Order separately.

RLN4008E Radio Interface Box



RLN4008E



0180357A57

Wall Mounted Power Supply

Used to supply power to Radio Interface Box.

0180357A57 Wall Mounted Power Supply (110 volts)

0180358A56 Wall Mounted Power Supply (220 volts)

Service Manuals

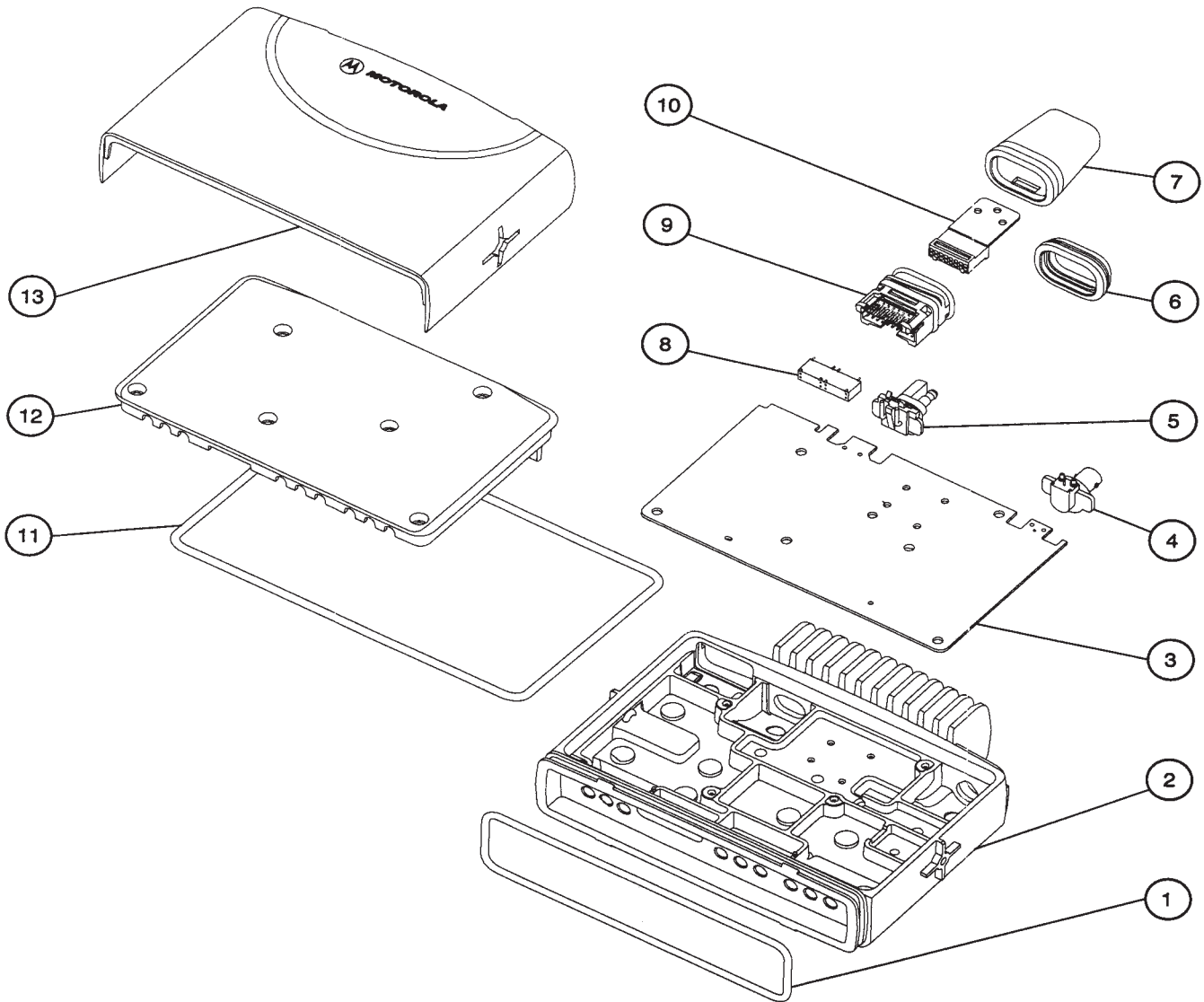
- 6881083C20** Includes all common features for all units except 25W VHF & UHF
- 6881080C43** 800 MHz Service Manual
- 6881080C44** 900 MHz 110W Service Manual
- 6881080C42** UHF 110W Service Manual
- 6881080C49** UHF 25W Service Manual
- 6881080C41** VHF Service Manual
- 6881080C48** VHF 25W Service Manual
- 6881083U25** SecureNet Service Manual

Miscellaneous Manuals

- 6881083C48** Short Form User Guide Model I (English only)
- 6881083C49** Short Form User Guide Model II & III (English only)
- 6881083C05** Short Form User Guide Model I (multi-lingual)
- 6881083C10** Short Form User Guide Model II & III (multi-lingual)
- 6881080C35** Detailed User Guide
- 6802058U20** Installation Manual

CDM750/1250/1550 Series

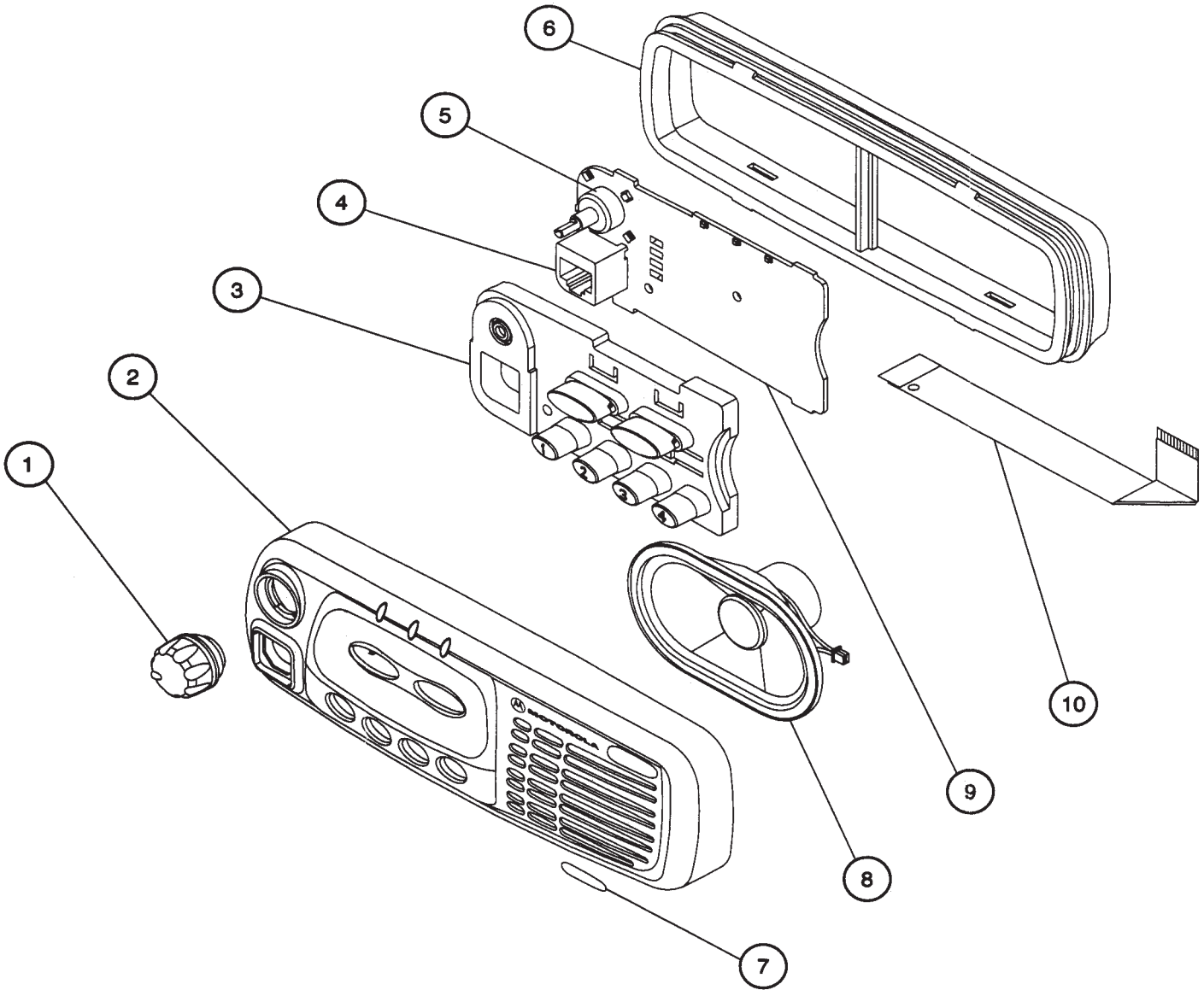
Parts List



Parts List**Radio Assembly**

REF. NO.	PART NO.	DESCRIPTION	REF. NO.	PART NO.	DESCRIPTION
1	3202620Y01	Gasket, Control Head	10	1580922V01	Connector, Housing (optional)
2	2786168B01	Chassis 45W	11	---	Gasket, Cover 45W (part of item 12)
	2786082B01	Chassis 25W		---	Gasket, Cover 25W (part of item 12)
3	---	Main PCB (includes items 4, 5, and 8)	12	1586084B01	Cover, 25W
4	0986166B02	Antenna Connector		1586169B01	Cover, 45W
5	0986165B01	Power Connector	13	1586083B01	Cover, Plastic 25W
6	3202607Y01	Gasket, Cover		1586170B01	Cover, Plastic 45W
7	3202606Y01	Gasket, Accessory Connector (optional)	NON-REFERENCED ITEMS		
8	0986105B01	Connector, 20-Pin		0310911A30	Screw T20, 6x
9	2886122B02	Connector Assembly			

Parts List



CDM750 Radio Control Head

REF. NO.	PART NO.	DESCRIPTION
1	3686098B02	Knob, Volume
2	1586086B01	Housing, Front
3	7586089B01	Keypad
	---	Keypad Button**
4	2864287B01	10-Pin Microphone Jack
5	1805911V02	Potentiometer
6	1586092B01	Backhousing

REF. NO.	PART NO.	DESCRIPTION
	3286094B01	Backhousing O-ring
7	HLN9888	Label
8	5086126B01	Speaker
9	GLN7350	PCB
10	8486127B01	Flex 12-Position Connector

** Consult basic service manual

CDM750/1250/1550 Series

Parts List

CDM1250 Radio Control Head

REF. NO.	PART NO.	DESCRIPTION
1	HLN9889	Label
2	1586087B01	Housing Front
3	7586090B01	Keypad
	---	Keypad Button**
4	7286104B01	LCD Glass
5	0786099B01	Frame LCD
6	3686098B02	Knob, Volume
7	2864287B01	10-Pin, Microphone Jack
8	1805911V02	Potentiometer

REF. NO.	PART NO.	DESCRIPTION
9	GLN7352	PCB
10	1586093B02	Back Housing
11	3786107B01	Tube, Speaker
12	2886130B01	Connector, Elastomeric
	2886130B02	Connector, Elastomeric
13	5086126B01	Speaker

NON-REFERENCED ITEMS

8486127B01	Flex, 12-Position Connector
-------------------	-----------------------------



CDM750/1250/1550 Series

Mobile Accessories



CDM1550 Radio Control Head

REF. NO.	PART NO.	DESCRIPTION
1	HLN9890	Label
2	1586088B01	Housing Front
3	7586091B01	Keypad, PRO7100
	---	Keypad Button**
4	2864287B01	10-Pin, Microphone Jack
5	3686098B02	Knob, Volume
6	1805911V01	Potentiometer
7	GLN7352	PCB
8	1586093B02	Back Housing
9	7286104B01	LCD Glass
10	0786099B01	Frame LCD

REF. NO.	PART NO.	DESCRIPTION
11	2886130B01	Connector, Elastomeric
	2886130B02	Connector, Elastomeric
12	3786107B01	Tube, Speaker
13	5086126B01	Speaker

NON-REFERENCED ITEMS

8486127B01	Flex, 12-Position Connector
-------------------	-----------------------------

Note: Speaker (13) and tube (12) are glued together using self-adhesive material. If replacement is required, it is recommended to order both parts.

CDM750/1250/1550 Series**Mobile
Accessories****Microphones**

AARMN4025B Standard Compact Microphone provides basic push-to-talk functionality and ships with all CDM Series mobile radios.

*AARMN4025B**AARMN4026B*

AARMN4026B Enhanced Keypad Microphone includes a full keypad that enables you to dial phone numbers from the microphone. Also has three customizable buttons that can be programmed with any of the control head features.

AARMN4038B Heavy-Duty Microphone for users who want a more durable microphone. Also ideal for those who need a larger microphone that is easy to handle with gloves on.

AARMN4027A Visor Microphone for use with external push-to-talk accessories. Microphone mounts to vehicle's visor for convenient hands-free operation of radio.

Hands-free Accessories

RLN4857A Pushbutton with Push-to-Talk Feature provides hands-free operation of radio in vehicle, allowing you to transmit messages without using a mobile microphone. Must be used in conjunction with the visor microphone. Push-to-talk button can be held in the hand or mounted in the vehicle with touch fasteners.

RLN4856A Foot Switch with Push-to-Talk Feature provides hands-free operation of radio in vehicle, allowing you to transmit messages without using a mobile microphone. Foot switch mounts to the vehicle's floor and must be used in conjunction with the visor microphone.

RLN4858A Gooseneck Mount with Push-to-Talk Feature provides hands-free operation of radio in vehicle, allowing you to transmit messages without using a mobile microphone. Gooseneck push-to-talk button mounts to the steering wheel column and must be used in conjunction with the visor microphone.

*AAREX4617A*

AAREX4617A Telephone Style Handset is ideal for those who want the ability to conduct private radio conversations. You can transmit and receive messages through this ergonomically designed, easy-to-hold handset. Includes hang-up cup and hardware.

RLN4836A Emergency Foot Switch enables you to notify the base station quickly and discreetly that you are in an emergency situation. Pressing the foot switch sends a signal to the base station and activates the microphone, so you can communicate with the base station.

CDM750/1250/1550 Series

Mobile Accessories

Speakers



RSN4001A

RSN4001A External 13-Watt Speaker offers a higher level of radio volume output – beneficial if you operate in an extremely noisy environment.

HSN8145B External 7.5-Watt Speaker offers a higher level of radio volume output – beneficial if you operate in a highly noisy environment.



HSN8145B

Mounting Accessories

GLN7324A Low-Profile Mounting Trunnion. This standard mounting bracket is ideal for vehicles with limited space for mounting the mobile radio.



GLN7324A

GLN7317A High-Profile Mounting Trunnion This mounting bracket enables more mounting angles than the low-profile trunnion.

HLN8097A Removable Slide Mount is ideal if you frequently move the radio from one vehicle to another, or if you are concerned about radio theft. Radio easily slips in and out of the slide mount.

RLN4779A Key Lock Mount gives radio extra protection from theft by requiring use of a key to lock/unlock radio from its position in the mounting bracket.



RLN4774A

RLN4774A Three-Point Low Band Mount provides extra stability for mounting low band radio models.

CDM750/1250/1550 Series

Mobile Accessories

Mounting Accessories

Direct in Dashboard Mounting Kits

Ideal if you prefer to mount the radio directly into the dashboard for better appearance or to keep it from being an obstruction in the vehicle.

RLN4781A CDM750 Control Head

RLN4782A CDM1250, CDM1550, and CDM1550•LS Control Heads

Remote Mounting Kits

Allows you to mount radio chassis in the trunk or under the seat and mount control head elsewhere in the vehicle. Ideal for vehicles with no convenient place to mount the complete radio near dashboard, or where security may be of concern.

RLN4801A Remote Mount for CDM750 Control Head

RLN4802A Remote Mount for CDM1250, CDM1550, and CDM1550•LS Control Heads



RKN4801A
RKN4802A

Remote Mount Cables

These cables are used to connect the radio chassis to the control head.

RKN4077 3m Remote Mount Cable

RKN4078 5m Remote Mount Cable

RKN4079 7m Remote Mount Cable

Cables to Battery

These cables are used to connect the battery to the radio chassis.

HKN4137A 12V, 1-45W Low-Power Cable

HKN4191B 12V, 40-60W High-Power Cable

HKN4192B 20-foot, 12V, 1-45W Power Cable

Control Station Accessories

Desktop Power Supplies

HPN4002B 1-25 Watt Power Supply for use with low-power radios. Provides power for using the mobile from a desktop.

HPN4001B 25-45 Watt Power Supply for use with high-power radios. Provides power for using the mobile from a desktop.

Desktop Microphone

HMN3000B Black Desktop Microphone makes transmissions easier when the mobile radio is being used from a desktop because the microphone and push-to-talk button are larger. Helps expedite transmissions because you do not have to keep picking the microphone up.

Desktop Trays

GLN7318A Desktop Tray without Speaker. Ideal for securing the mobile in place in a desktop environment.

GLN7326A Desktop Tray with Speaker. Ideal for securing the mobile in place in a desktop environment. Includes a speaker for increased volume when receiving calls in high-noise areas.

Miscellaneous

AAHLN9725C Voice Storage Option Board enables you to record and playback memos or incoming radio calls.

Button Kits

RLN4829A Button Kit for CDM750. Replaceable button kit includes buttons for MON (monitor) and SCAN.

RLN4830A Button Kit for CDM1250 and CDM1550. Replaceable button kit includes buttons for ZONE, XPAND, HI/LO, EMERGENCY, and V STR (voice storage).

RLN4831A Button Kit for CDM1250, CDM1550, and CDM1550•LS. Replaceable button kit includes buttons for MON (monitor), SCAN, CALL, PHONE, and HOME.

CDM750/1250/1550 Series

Antennas, Service Aids

Antennas

The signals for these antennas are radiated vertically, making them ideal for urban environments where buildings might obstruct the signal.

HAD4006A VHF 136-144 MHz, 1/4-Wave Roof Mount

HAD4007A VHF 146-150.8 MHz, 1/4-Wave Roof Mount

HAD4008A VHF 150.8-162 MHz, 1/4-Wave Roof Mount

HAD4009A VHF 162-174 MHz, 1/4-Wave Roof Mount

HAE4002A UHF 403-430 MHz, 1/4-Wave Roof Mount

HAE4003A UHF 450-470 MHz, 1/4-Wave Roof Mount

HAE4004A UHF 470-512 MHz, 1/4-Wave Roof Mount

These antennas are designed to direct the signal more towards the horizon, making them ideal for applications in more geographically flat regions where signal coverage is sparse and must cover a larger area.

HAD4014A VHF 144-174 MHz, 3dB Gain Roof Mount

HAE4010A UHF 406-420 MHz, 3.5dB Gain Roof Mount

HAE4011A UHF 450-470 MHz, 3.5dB Gain Roof Mount

HAE4012A UHF 470-494 MHz, 3.5dB Gain Roof Mount

HAE4013A UHF 494-512 MHz, 5dB Gain Roof Mount

These antennas are for use with low band radio models.

RAB4002A Low Band 29.7-36 MHz

RAB4003A Low Band 36-42 MHz

RAB4004A Low Band 42-50 MHz

Service Aids

Programming Software

Utilizing your personal computer, the software enables you to add or reprogram frequencies as your requirements change. Compatible with IBM XT, AT, Model 30, 50, 60 and 80. Requires Radio Interface Box and appropriate cables; must be ordered separately.

Conventional

HVN9025D Programming Software, 3-1/2" Diskette (includes binder and manual)

Computer Interface Cable

Used to connect computer's serial port to Radio Interface Box.

3080369B71 Computer Interface Cable, RIB to 25 pin D

3080369B72 Computer Interface Cable, RIB to 9 pin D

Programming Cable

Required to program radio, acts as a link between RIB box and Radio.

AARKN4083A Programming Cable

AARKN4081B RIBless Programming Cable

CDM750/1250/1550 Series

Service Aids, Manuals

Service Aids

Radio Interface Box

Links radio programming cable and computer interface together. Provides required voltage shift to enable communications between radio and computer. Requires computer interface cable, radio programming cable, and a 9 volt snap type battery (6082728J01) or wall mount power supply. Order separately.



RLN4008E

RLN4008E Radio Interface Box



0180357A57

Wall Mounted Power Supply

Used to supply power to Radio Interface Box.

0180357A57 Wall Mounted Power Supply (110 volts)

0180358A56 Wall Mounted Power Supply(220 volts)

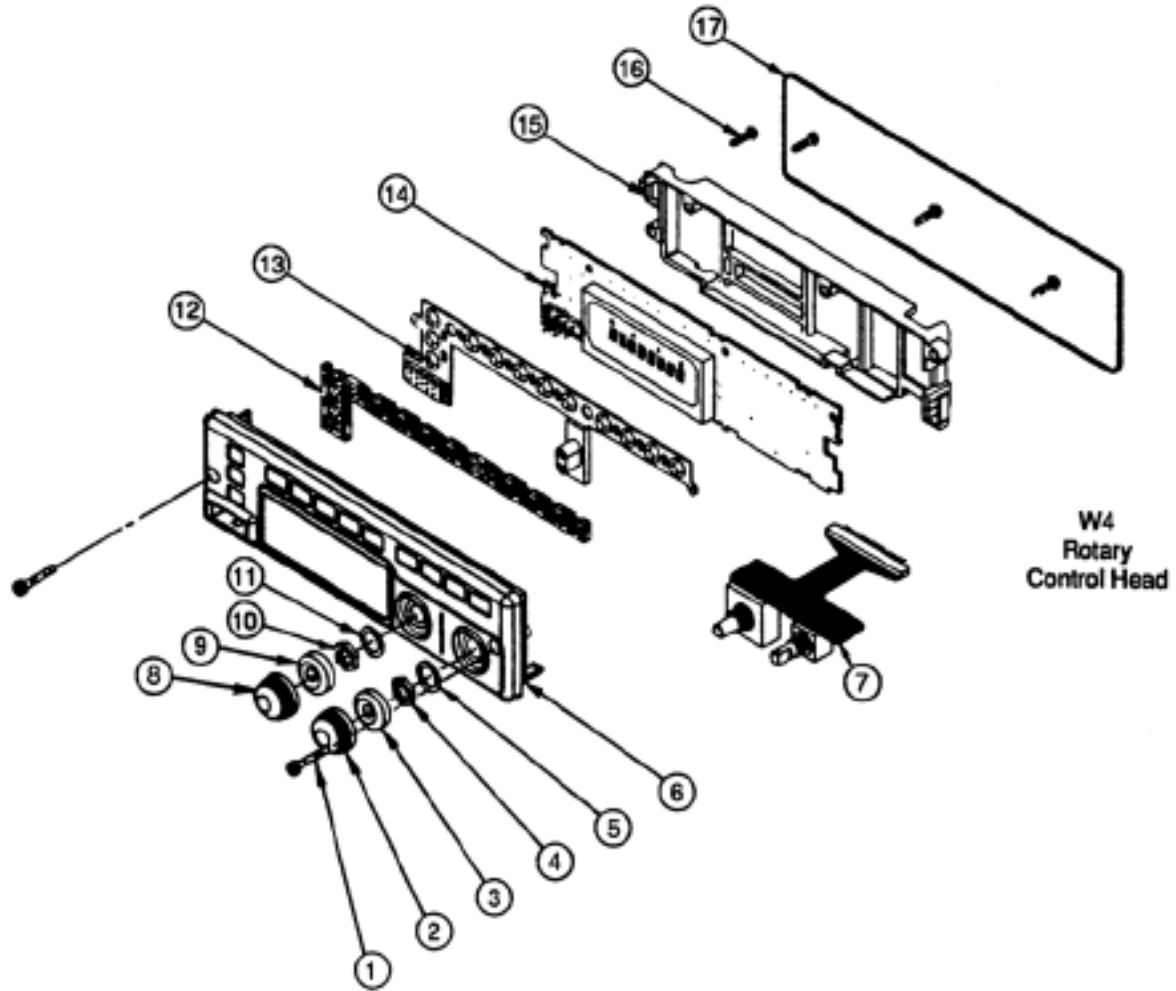
Manuals

6881092C58	Installation Manual
6881091C62	Basic Service Manual
6881091C63	Detailed Service Manual
6881091C54	CDM750 Users Guide
6881091C55	CDM1250 Users Guide
6881091C56	CDM1550 Users Guide

XTL 5000 Series



Parts List



W4
Rotary
Control Head

Parts List

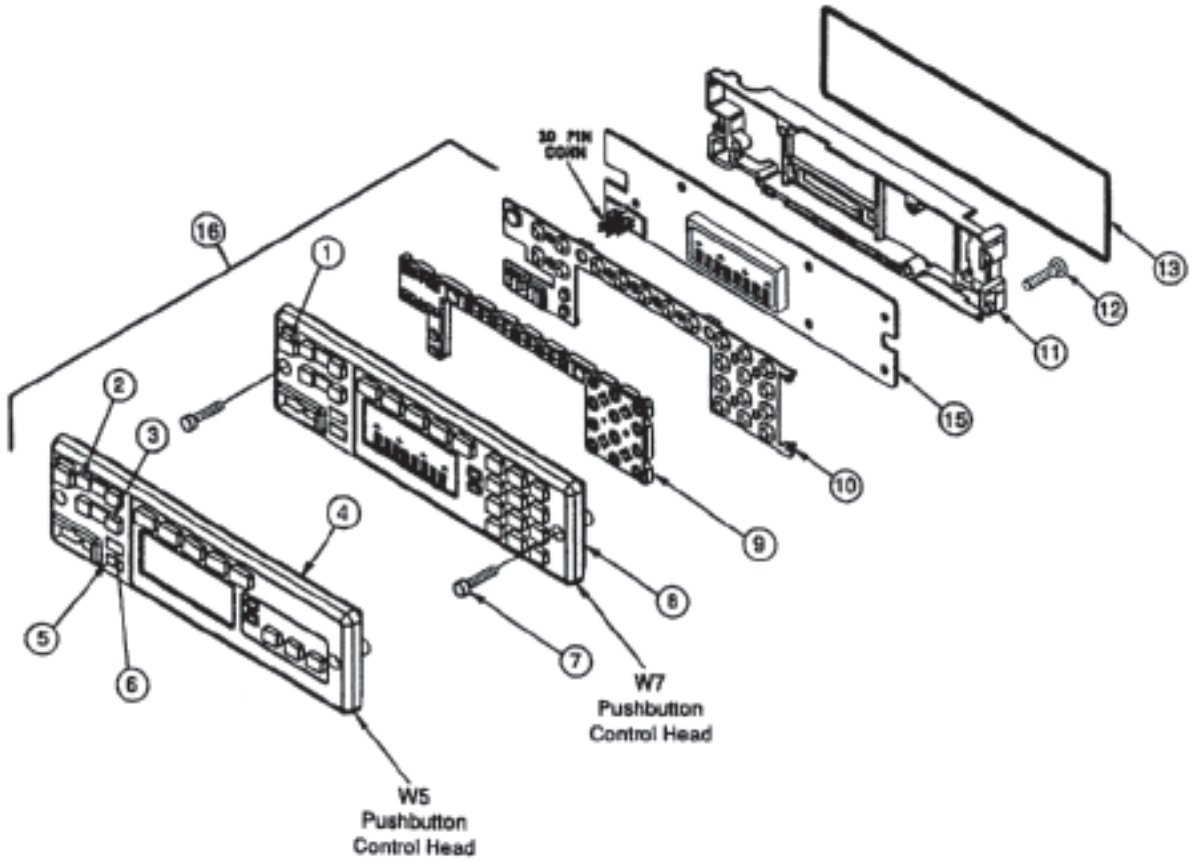
W4 Rotary Control Head

REF. NO.	PART NO.	DESCRIPTION	REF. NO.	PART NO.	DESCRIPTION
1	0380077M07	Screw, control head mounting (qty 2)	9	3205805V01	Gasket, W4 shaft (qty 2)
2	3602113Z05	Knob, volume control	10	0284218M02	Nut, mode switch
3	3205805V01	Gasket, W4 shaft (qty 2)	11	0484219M02	Lockwasher, mode switch
4	0284218M01	Nut, volume switch	12	6105129X01	Lightpipe
5	0484219M01	Lockwasher, volume switch	13	7505128X01	Keypad
6	1502117Z07	Housing, front cover (mobile)	14	AAHN4045_	Assembly, circuit board (mobile)
	or			or	
	1502117Z08	Housing, front cover (motorcycle)		PMLN4019_	Assembly, circuit board (motorcycle)
	or		15	4302112Z02	Spacer, internal
	1502117Z10	Housing, front cover (motorcycle)	16	0310945A14	Screw, machine (qty 4)
	or		17	3280289L02	Gasket, housing
	1502117Z11	Housing, front cover (motorcycle)			
	or				
	1502117Z12	Housing, front cover (rear)			
7	0102709J83	Assembly, volume and rotary switch			
8	3602113Z03	Knob, mode control			

Notes: _ = The latest version kit. When ordering, refer to your specific kit for this suffix letter.
 The HKN4356_ Radio Cable is used to remote mount the W4 Control Head.
 Universal Crypto Module (UCM) part numbers and descriptions are listed in the Encryption chapter of the service manual.

XTL 5000 Series

*Mobile
Accessories*



Parts List

W5 and W7 Pushbutton Control Head

REF. NO.	PART NO.	DESCRIPTION	REF. NO.	PART NO.	DESCRIPTION
1	3880227M04	Switch, On/Off cap	15	HLN6396_	Board, control head (mobile)
2	3880009P01	Switch, mode rocker		or	
3	3880009P02	Switch, volume rocker		HLN6563_	Board, control head (motorcycle)
4	1580020S17	Housing, W5 front cover (mobile)	16	0180049S09	Assembly, W5 front cover (mobile)
	or			or	
	1580020S19	Housing, W5 front cover (motorcycle)		0180049S11	Assembly, W5 front cover (motorcycle)
	or			or	
	1580020S23	Housing, W5 front cover (motorcycle)		0180049S13	Assembly, W5 front cover (motorcycle)
	or			or	
	1580020S25	Housing, W5 front cover (motorcycle)		0180049S15	Assembly, W5 front cover (motorcycle)
	or			or	
	1580020S27	Housing, W5 front cover (rear)		0180058T16	Assembly, W5 front cover (rear)
5	3880092J05	Pushbutton, HOME		0180049S08	Assembly, W7 front cover (mobile)
6	3880092J05	Pushbutton, DIM		or	
7	0380077M07	Screw, (qty 2)		0180049S10	Assembly, W7 front cover (motorcycle)
8	1580020S16	Housing, W7 front cover (mobile)		or	
	or			0180049S12	Assembly, W7 front cover (motorcycle)
	1580020S18	Housing, W7 front cover (motorcycle)		or	
	or			0180049S14	Assembly, W7 front cover (motorcycle)
	1580020S22	Housing, W7 front cover (motorcycle)		or	
	or			0180049S15	Assembly, W7 front cover (rear)
	1580020S24	Housing, W7 front cover (motorcycle)			Item 16 includes items 1, 2, 3, 4 or 8, 5, 6, 9, and 10
	or				
	1580020S26	Housing, W7 front cover (rear)			
9	6180017S01	Lightpipe			
10	7580012S03	Keypad			
11	4380019S02	Spacer, internal frame			
12	0310945A14	Screw, tapping (qty 7)			
13	3280289L02	Gasket, housing			

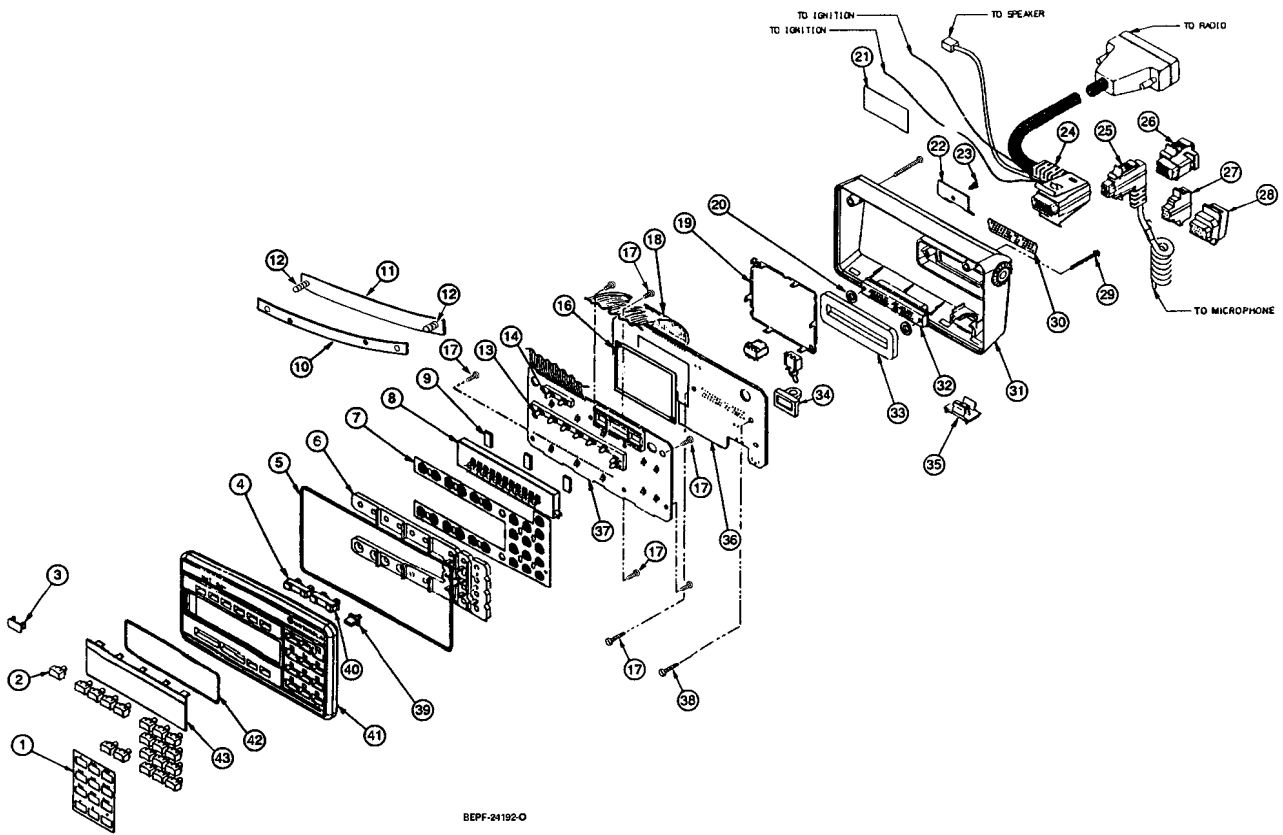
Notes: _ = The latest version kit. When ordering, refer to your specific kit for this suffix letter.
The HKN4356_ Radio Cable is used to remote mount the W5 and W7 Control Head.
Universal Crypto Module (UCM) part numbers and descriptions are listed in the Encryption chapter of the service manual.



XTL 5000 Series



Mobile Accessories



XTL 5000 Series
Parts List
W9 Pushbutton Control Head

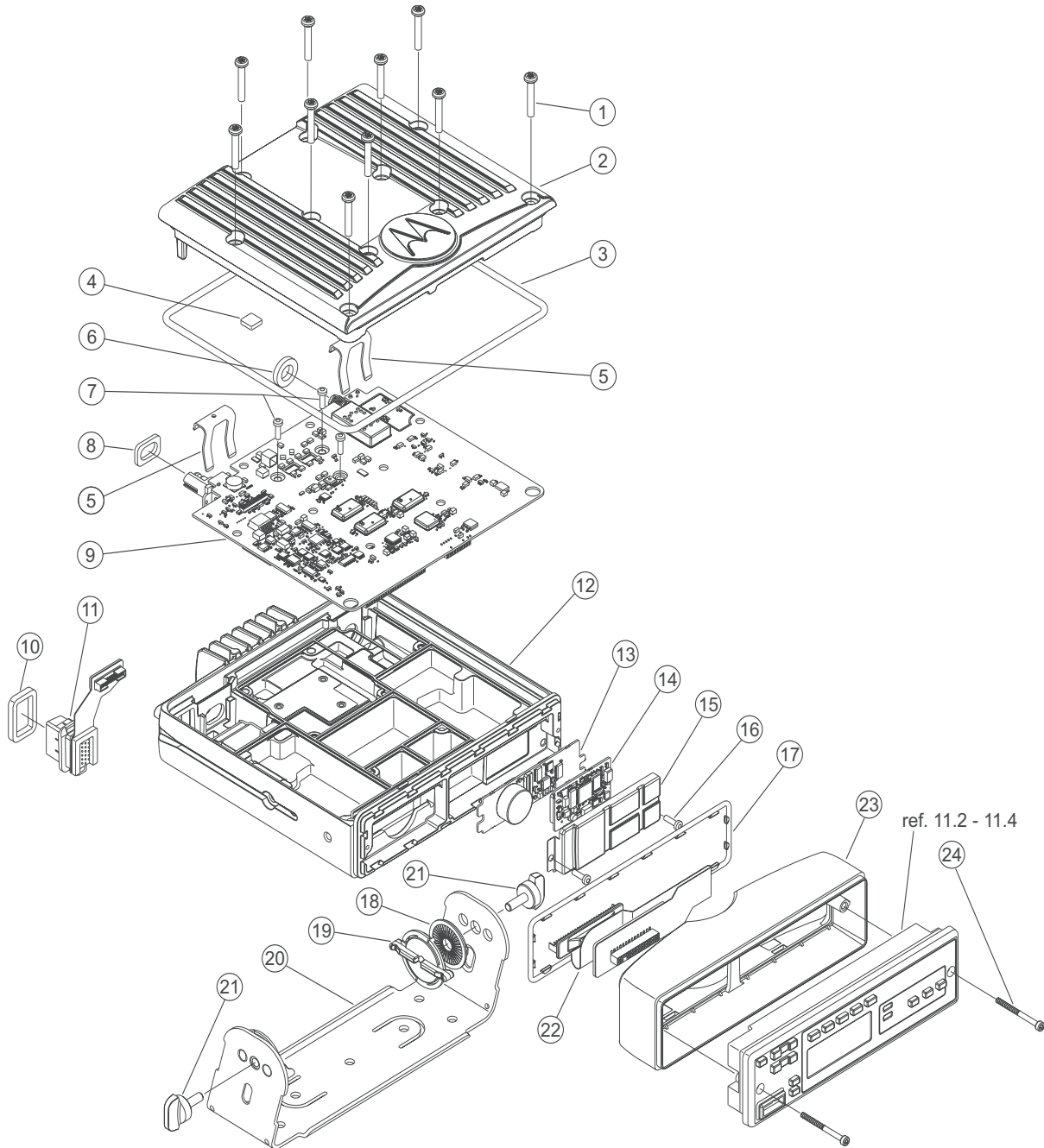
REF. NO.	PART NO.	DESCRIPTION	REF. NO.	PART NO.	DESCRIPTION
1	1380087J01	Escutcheon	19	2680190P02	Shield, component side
2	HLN5083_	Button, Emergency	20	3205082E90	O-Ring "D" connector (qty 2)
	HLN5091_	Button, Dir	21	3380178M01	Nameplate
	HLN5066_	Button, Scan	22	0784323C01	Bracket, strain relief
	HLN5256_	Button, Srch	23	0310908A18	Screw, machine
	HLN5074_	Button, Call	24	HKN4356_	Cable, radio
	HLN5268_	Button, Page	25	HMN1050_	Kit, microphone
	HLN5259_	Button, RPGM		or	
	HLN5258_	Button, Site		HMN1080_	
	HLN5090_	Button, PHON		or	
	HLN5072_	Button, H/ L		HMN1061_	
	HLN5257_	Button, Lock	26	1580221J01	Housing, VIP connector (optional)
	HLN5076_	Button, RCL	27	7502118Z01	Cover, rubber dust (MIC)
	HLN5085_	Button, SQL	28	7502118Z02	Cover, rubber dust (VIP)
	HLN5078_	Button, Del	29	0310908A33	Screw, machine (qty 2)
	HLN5087_	Button, Home	30	3205198X01	Gasket, face
	HLN5079_	Button, Sel	31	1505199X05	Housing, back
	HLN5095_	Button, blank	32	2805778W01	Connector, mini "D" 50 contact
3	3880253K04	Plug	33	3205143X01	Gasket, "D" connector
4	3880195P03	Switch, mode rocker	34	3205143X01	Gasket, On/Off switch
5	3205145X01	Gasket, internal frame	35	3880128J01	Key, On/Off
6	6105126X01	Lightpipe, keypad	36,37	HCN4046E	W9 Control Head (Board Kit, includes items 7, 8, 9, 13, 14, 16, 18, 19, 30 and 32)
7	7505127X01	Keypad			
8	7280242J01	Display, VF	38	0310945A14	Screw, tapping (qty 2)
9	7580094M05	Pad, shock (qty 3)	39	3880092J05	Key, blank
10	1405410X01	Insulator	40	3880195P02	Switch, volume rocker
11	4180042S01	Spring, leaf assembly	41	1505125X12	Housing, front
12	0380041S01	Screw, captive (qty 4)	42	3205144X01	Gasket, lens
13	6180026R02	Spacer, LED (8-position)	43	6105146X01	Lens, VF display
14	6180027R02	Spacer, LED (2-position)			
16	2680190P02	Shield, solder side (Includes two 1480269K01 insulators)			
17	0310945A11	Screw, tapping (qty 5)			
18	3080034K01	Cable, flex			

Note: _ = The latest version kit. When ordering, refer to your specific kit for this suffix letter.
 Universal Crypto Module (UCM) part numbers and descriptions are listed in the Encryption chapter of the service manual.

XTL 5000 Series



Mobile Accessories

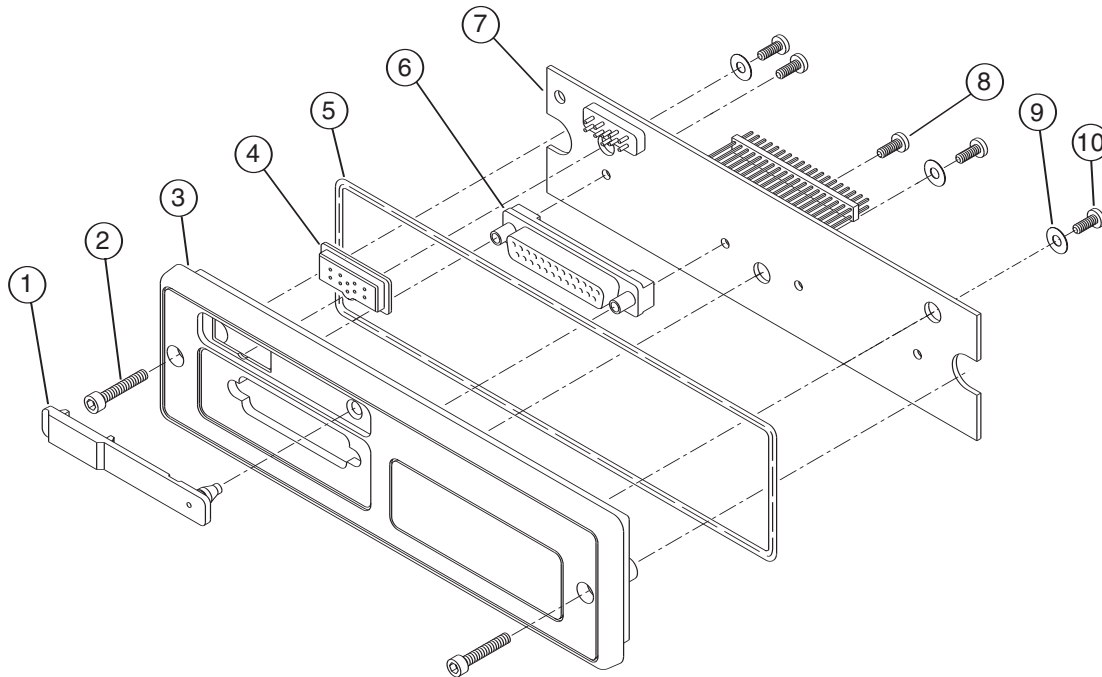


Parts List

10-35W Radio

REF. NO.	PART NO.	DESCRIPTION	REF. NO.	PART NO.	DESCRIPTION
1	0385870E01	Screw Assembly, top cover	17	HLN6876_	PCB Assembly, secure interface (3-day key retention)
2	1585860C02	Cover, millennium		or	
3	3285495E01	Seal, main O-ring		HLN6877_	PCB Assembly, secure interface (30-second key retention)
4	7585060F01	Pad, thermal, grey	18	---	Module, secure
5	3285743E01	Seal, RF connector	19	2685498E01	Shield, secure
6	0310907A20	Screw, M3X0.5X10 pan-head	20	0310907A20	Screw, M3X0.5X10, pan-head
7	3285744E01	Seal, DC connector	21	3285471E01	Seal, headbridge
8	4285702E01	Clip, RF/DC retention	22	3085020F01	Flex, dash mount
9	HUF4017_	PCB Assembly, main		or	
10	3085741E01	Connector, rear accessory port		3085019F01	Flex, remote mount
11	3285742E01	Seal, accessory	23	1585245E01	Housing, headbridge
12	0305760W02	Screw, M5.0X0.8X14.9 wing	24	0380077M07	Screw, control head M3X35
13	4305425W01	Spacer, inner			
14	4305426W03	Spacer, outer			
15	HLN6861_	Trunnion, millennium includes 18 (x2), 19 (x2), AND 21 (x2)			
16	2785862C02	Chassis, millennium			

Note: _=The latest version kit. When ordering, refer to your specific kit for this suffix letter.



Motorcycle Interconnect Board and Assembly (HLN6365)

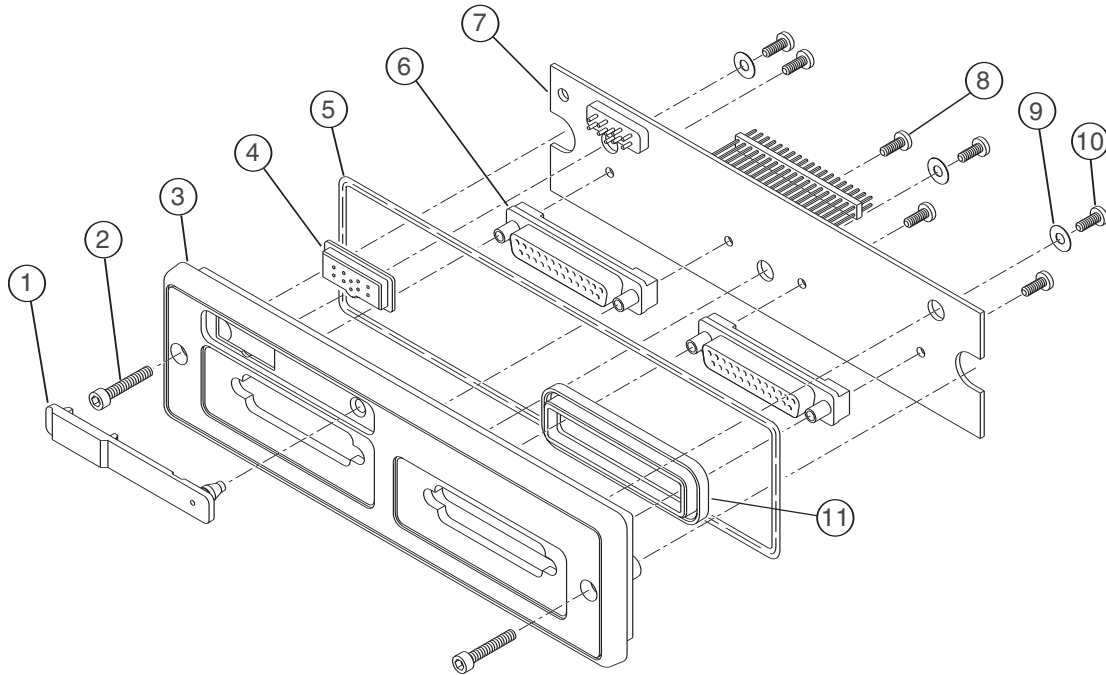
REF. NO.	PART NO.	DESCRIPTION
1	3880064P01	Cap, DVP connector
2	0380077M07	Screw, front mount
3	1580062P12	Housing, remote front
4	3280063P01	Gasket, DVP connector
5	3280289L02	Gasket, O-Ring
6	0980159P01	Connector, D-Sub
7	HLNxxxx_	Board, interconnect (See dealer for applicable kit number.)

REF. NO.	PART NO.	DESCRIPTION
8	0300139581	Screw, mach 4-40X5/16 P
9	0400131974	Washer, flt. 130.312
10	0310945A11	Screw, tapping P3.12X1.27X8

Note: _ = The latest version kit. When ordering, refer to your specific kit for this suffix letter.

XTL 5000 Series

Parts List



Low- and Mid-Power Interconnect Board and Assembly (HLN6344)

REF. NO.	PART NO.	DESCRIPTION	REF. NO.	PART NO.	DESCRIPTION
1	3880064P01	Cap, DVP connector	9	0400131974	Washer, flt. 130.312
2	0380077M07	Screw, front mount	10	0310945A11	Screw, tapping P3.12X1.27X8
3	1580062P11	Housing, remote front	11	3280025R01	Gasket, remote
4	3280063P01	Gasket, DVP connector			
5	3280289L02	Gasket, O-Ring			
6	0980159P01	Connector D-Sub			
7	HLNxxxx_	Board, interconnect (See dealer for applicable kit number.)			
8	0300139581	Screw, mach 4-40X5/16 P			

NOT SHOWN

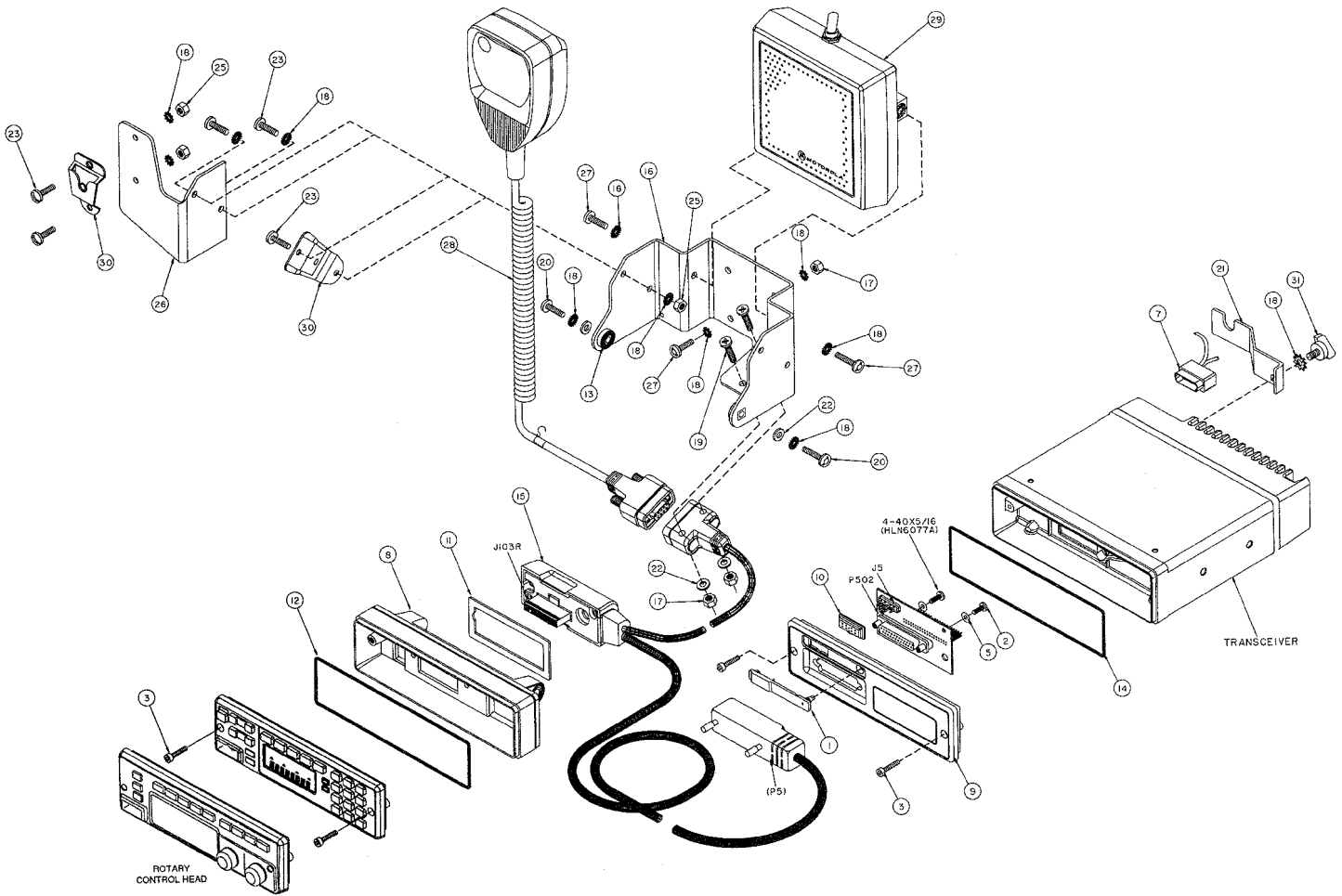
1580005G01* Cover, dust

Note: _ = The latest version kit. When ordering, refer to your specific kit for this suffix letter.

* = Used when the option cable is not used or when the radio is stowed.

XTL 5000 Series

Mobile Accessories



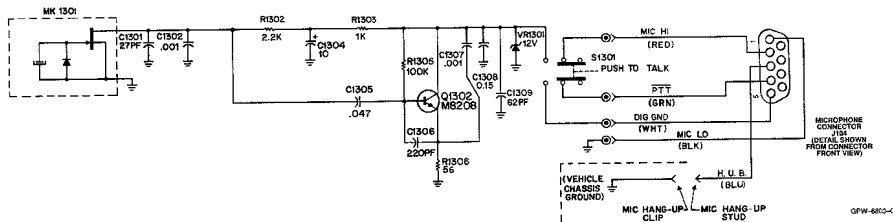
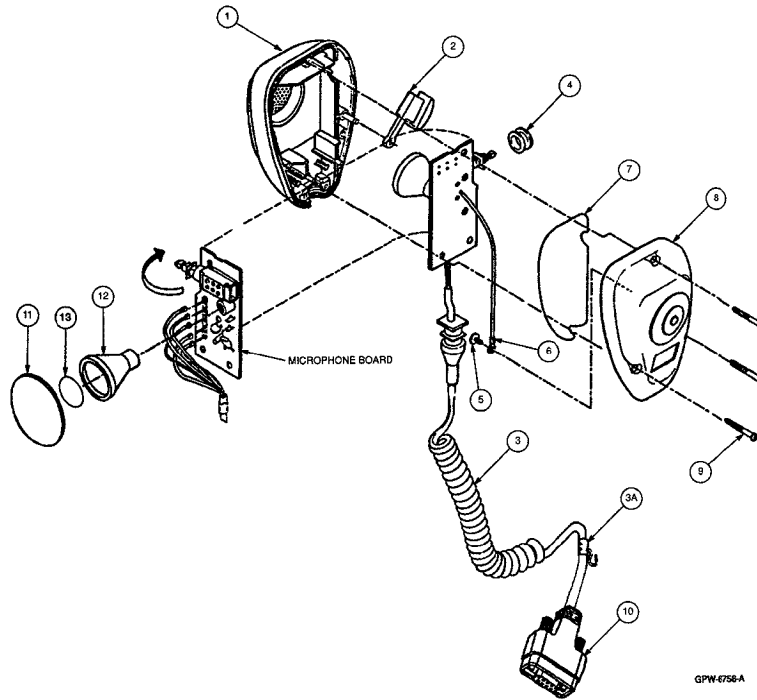
XTL 5000 Series

Parts List

Motorcycle Radio Remote-Mount Control Head with Speaker & Microphone

REF. NO.	PART NO.	DESCRIPTION	REF. NO.	PART NO.	DESCRIPTION
–	See Model Chart	Motorcycle hardware kit SECURENET	26	0780201P01	Bracket, extension
–	See Model chart	Motorcycle hardware kit	27	0380114M03	Screw, machine, M5 x 0.8 x 12 mm (2 used)
1	3880064P01	Cap, SECURENET connector	28	See Model Chart	Microphone and coiled cord
3	0380077M01	Screw, front-mount (4 used)	29	---	Speaker (see page 219)
7	HLN6890_	Cable, accessory, motorcycle	30	0180743T91	Spring and bracket eyelet (HLN5391A)
8	1580293L03	Housing, back remote rework	31	3085019F01	Remote flex
9	1580062P12	Housing, front remote SECURENET	32	1585245E01	Housing, headbridge
10	3280063P01	Gasket, SECURENET	33	HLN6884_	Motorcycle interconnect board
11	3280231M01	Gasket	34	0380077M07	Screw, control-head, M3 x 35 mm
12	3280289L02	Gasket, housing	NON- REFERENCED ITEMS		
13	4380128N01	Spacer, trunnion (2 used)		0312002A01	Screw, self-drilling (2 used)
14	3285471E01	Seal, headbridge		0312002C01	Screw, self-drilling*
15	See Model Chart	Control-head cable, 22-conductor		2900824456	Lug*
–	See Model Chart	Motorcycle mounting kit		0780127N02	Trunnion, remote**
16	0780200P01	Bracket, control-head / speaker-mounting	<i>NOTE: _ = The latest version kit. When ordering, refer to your specific kit for this suffix letter.</i>		
17	0205681N03	Nut, hex, M5 x 0.8-6H x 8.87 (6 used)	<i>* = These parts are provided in hang-up clip it for mounting the hang-up clip on surfaces that are not metallic and/ or are not grounded to the motorcycle chassis.</i>		
18	0400002647	Lockwasher #10 ext (14 used)	<i>**= Used to mount control head when speaker and control head are mounted separately.</i>		
19	0380114M05	Screw, machine, M5 x 0.8 x 30 mm (2 used)			
20	0380114M04	Screw, machine, M5 x 0.8 x 16 mm (2 used)			
22	0400128991	Washer, 0.234 x 0.5 x 0.048 (4 used)			
23	0307644M19	Screw, machine, 8-32 x 7/ 16 (4 used)			
25	0200001355	Nut, hex, 8-32 x 5/ 16 x 1/ 8 (4 used)			

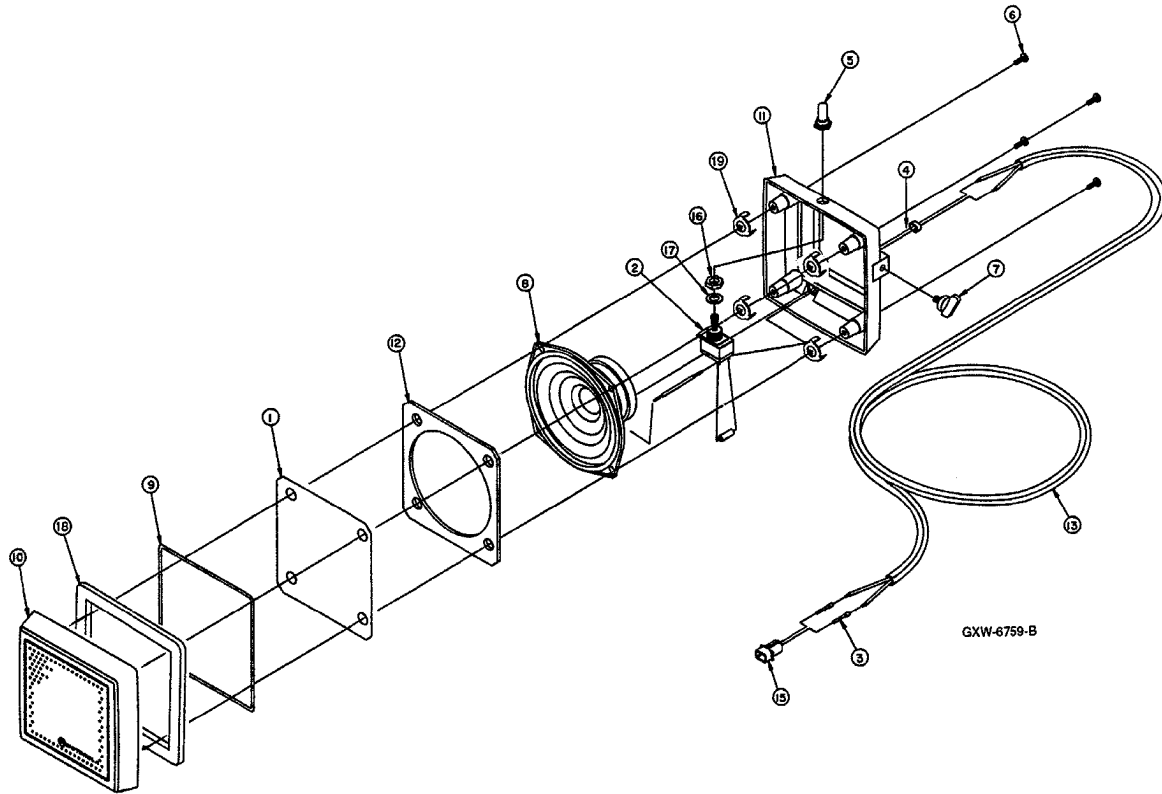
**Mobile
Accessories**



HMN1062_ Motorcycle Microphone

REF. NO.	PART NO.	DESCRIPTION
	HLN5459_	Microphone PC board (see Detailed Service Manual)
	See Model Chart	Hardware kit, motorcycle
1	1500335M01	Front housing, microphone
2	3880144D03	Button, microphone PTT
3	3080144D03	Cable, coiled, includes:
3A	4284061A03	Clamp, wire
4	0580221K01	Grommet, PTT switch
5	0310943M09	Screw, tapping, TT3 x 0.5 x 8

REF. NO.	PART NO.	DESCRIPTION
6	3080206L01	Wire, PC board to weight
7	3280058H03	Gasket, housing
8	0180750T91	Rear housing, microphone
9	0380076E04	Screw, metric H-LO (3 used)
10	0980218J01	Receptacle, microphone
11	3500008M02	Membrane
12	0580148D01	Grommet, microphone cartridge
13	3580089D01	Microphone felt

XTL 5000 Series
Parts List

HSN6003_ Motorcycle Weather-Resistant Speaker

REF. NO.	PART NO.	DESCRIPTION
1	3506850K01	Cloth grille
2	4083477E03	Switch, toggle, SPST
3	3910184A45	Contact, plug (2 used)
4	4282018H05	Cable retainer
5	3206682F01	Seal, toggle switch
6	0300140001	Screw, tapping, 6-19 x 7/ 8
7	0384244C06	Screw, wing, black shadow
8	5084561B08	Speaker, 5-inch, 30 W
9	3200046M04	Gasket
10	1300133M05	Bezel
11	1580099R02	Housing, speaker, weather- resistant
12	3206849K01	Gasket

REF. NO.	PART NO.	DESCRIPTION
13	3083155H01	Cable, 2-conductor
15	1510183A18	Housing, connector, 2-contact
16	4083477E03	Nut
17	0400001757	Washer
18	3280000S01	Gasket, speaker
19	0480299R01	Capsert (4 used)

NON- REFERENCED ITEMS

0611086A27	Resistor, 47 ohm, ±5%, 1 W
0780200E01	Trunnion bracket, speaker (not shown)
0312002B14	Screw, self-drilling, 10-16 x 1 (3 used)

**Mobile
Accessories**

Microphones

HMN1050D Desk Top Microphone
(For Control Station Operation)

HMN1061A A Palm Mic for use with
W9 Radio

HMN1079A Water Resistant
Palm Microphone

HMN1080A Standard Palm Mic



Speakers

Speaker For Siren and Public Address

TDN6251A Siren Speaker Round with
Chrome Finish

TDN6252A Siren Speaker Rectangular
with Chrome Finish

TDN6253A Siren Speaker Underhood
with Grey Finish

TDN6254A Siren Speaker Round with
Grey Finish



External Speaker

HSN4018B External Speaker



XTL 5000 Series

Mobile Accessories

Miscellaneous Hardware

HLN6372A Key Lock Mount

HLN1224B Auxiliary Switch Panel (W591-W4, W5, W7)

HLN1342A Auxiliary Switch Panel (W591-W9)

Cables

Adapter Cables

HKN6158A Audio Cable Adapter

HKN6159A Adapter Cable Data

HKN4356B Radio Cable, 17 foot

Power Cables

HKN4191B Power supply cable - High power (60 watt)
Power supply cable

HKN4192B 1-45W Power cable 20 foot; 12V

Remote Mount Cables

YKN4261A Front Control Head cable, 10 Foot

YKN4246A Front Control Head cable, 30 Foot

YKN4248A Front Control Head cable, 50 Foot

YKN4249A Front Control Head cable, 75 Foot

YKN4255A Front Control Head cable, 115 Foot

YKN4256A Front Control Head cable, 150 Foot

Control Station Accessories

HPN4001B Power supply and
cable (25-60 watt models)

HLN6042A Control
station tray



Emergency Switch



HLN5113B Emergency Footswitch; Enables user to send an emergency message to a console, where their unit ID can be displayed and an alarm sounded.

HLN6188A Pushbutton External Emergency

Antennas

Low Profile Antennas

VHF

HAD4006A

136-144MHz 1/4 Wave Roof Mount

HAD5007A

144-152MHz 1/4 Wave Roof Mount

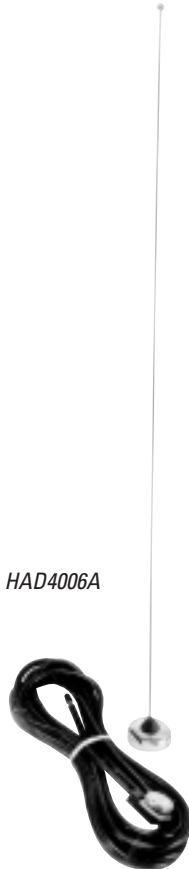
HAD4008A

152-162MHz 1/4 Wave Roof Mount

HAD4009A

162-174MHz 1/4 Wave Roof Mount

HAD4006A



Low Profile Antennas

UHF

HAE6012A

380-420MHz 1/4 Wave Roof Mount

HAE4003A

450-470MHz 1/4 Wave Roof Mount

HAE6010A

380-420MHz 3.5dB Gain Roof Mount

HAE4012A

450-470MHz 3.5dB Gain Roof Mount

HAE6011A

380-420MHz 5.0dB Gain Roof Mount

RAE4014A

450-470MHz 5.0dB Gain Roof Mount

HAE6013A

380-470MHz Wideband

700/800MHz

HAF4013A

762-870MHz 3dB Gain Low Profile

HAF4014A

762-870MHz 3dB Gain Elevated Feed

HAF4015A

762-870MHz 3dB Gain Motorcycle Antenna

HAF4016A

762-870MHz 1/4 Wave Roof Mount

HAF4017A

762-870MHz 3dB Gain Collinear Roof Mount

HAF4018A

762-870MHz Low Profile Motorcycle Antenna



XTL 5000 Series

Service Aids, Manuals

Service Aids

- RVN4186J** Radio Service Software
- HKN6155A** Programming/Flash Cable
- 0180386A82** Anti-Static Grounding Kit
- 8180384N71** Chassis Eliminator
- 1185984D01** Electromagnetic Interference (EMI) Metallic Shielding Tape
- 0180320B16** Magnetic Screwdriver Set with Bits
- 6686119B01** Plastic Scrapping Tool
- 6680163F01** Removal and Insertion Tool



RSX4043A Roto Torq Adjustable
Torque Driver

RSX4043A

Manuals

- 6881096C68** User guide XTL 5000 W4 W5 W7
- 6881096C72** Installation Manual
- 6881096C73** Basic service manual

Siren Loudspeakers

Weather resistant, designed for electric siren, public address and high intelligibility communications. Suitable for mobile or stationary installations. Aero-dynamically styled horns can be mounted on roof, lightbar or fender. Rated at 100 watts, and ruggedly constructed of all metal. Frequency response is rated at 375-8000 Hz.



TDN6254A

TDN6251A Siren Loudspeaker, 11 ohm, Chrome/Brass

TDN6254A Siren Loudspeaker, 11 ohm, Gray Enamel/Aluminum

Siren Loudspeakers

Wide Angle Siren Loudspeaker

Can be used in the same applications as the TDN6251A and TDN6254A. Whether roof, light bar or fender mounted, this is specifically designed to reduce wind resistance and enhance aesthetic appearance of vehicle.

TDN6252A Wide Angle Siren Speaker, 100 watts

Underhood Siren Loudspeaker



TDN6253A

Compact rectangular weather resistant, ideal for unmarked vehicles. Equipped with a durable metal horn, can be mounted behind grill, fender well, or underhood.

TDN6253A Underhood Siren Loudspeaker, 11 ohm, 100 watts, Gray Enamel/Steel

PA Speakers

Ruggedly constructed and weather resistant. These PA speakers offer superior sound quality. Feature a voice coil that utilizes an aluminum foil bobbin. The design enables quick heat dissipation for protection against damage caused by input overload. Ideal for multiple uses in both indoor and outdoor environments.

Part Number: **5080388A01**
 Frequency
 Response: 450-4,500 Hz
 Power
 Capacity: 5 watt (rated)
 Program
 Material Peak: 10 watt
 Voice Coil
 Impedance: 8 ohms
 Dispersion: 180°
 Sensitivity as
 Microphone: -34 dBm
 Sound Pressure
 Level
 (4 ft. on Axis,
 at rated power
 input): 107 dB
 Mounting: U-Shape
 Bracket
 Dimensions: 5⁷/₈" dia.,
 5⁷/₈" deep
 Color: Blue

Part Number: **5080388A02**
 Frequency
 Response: 450-4,500 Hz
 Power
 Capacity: 5 watt (rated)
 Program
 Material Peak: 10 watt
 Voice Coil
 Impedance: 4 ohms
 Dispersion: 180°
 Sensitivity as
 Microphone: -34 dBm
 Sound Pressure
 Level
 (4 ft. on Axis,
 at rated power
 input): 107 dB
 Mounting: U-Shape
 Bracket
 Dimensions: 5⁷/₈" dia.,
 5⁷/₈" deep
 Color: Blue



5080388A02



5080388A04

PA Speakers

Part Number: **5080388A03**
 Frequency
 Response: 250-15,000 Hz
 Power
 Capacity: 15 watt (rated)
 Program
 Material Peak: 30 watt
 Voice Coil
 Impedance: 8 ohms
 Dispersion: 140°
 Sensitivity as
 Microphone: -20 dBm
 Sound Pressure
 Level
 (4 ft. on Axis,
 at rated power
 input): 121 dB
 Mounting: U-Shape
 Bracket
 Dimensions: 8⁷/₈" dia.,
 8¹⁵/₁₆" deep
 Color: Gray

Part Number: **5080388A04**
 Frequency
 Response: 250-15,000 Hz
 Power
 Capacity: 15 watt (rated)
 Program
 Material Peak: 30 watt
 Voice Coil
 Impedance: 4 ohms
 Dispersion: 140°
 Sensitivity as
 Microphone: -20 dBm
 Sound Pressure
 Level
 (4 ft. on Axis,
 at rated power
 input): 121 dB
 Mounting: U-Shape
 Bracket
 Dimensions: 8⁷/₈" dia.,
 8¹⁵/₁₆" deep
 Color: Gray

Speakers

Mobile Accessories



PA Speakers

Used in paging and talk-back applications. Can be integrated with existing or new intercom systems. A full range of power capacities are available from 7.5 watts up to 75 watts for high noise environments. Even in high noise areas these PA speakers provide maximum sound intelligibility.

For High Noise Level Environments

Rated at a powerful 75 watts, these speakers are ideal for louder, industrial environments. Weather resistant and can be used in both internal and external applications.



5083102C01 Speaker, Fiberglass Cone, Wide-Angled Configuration

5083102C01

PA Speakers

For Low Noise Level Environments



PDK504

With a power capacity of 7.5 watts and a frequency response of 350-13,000 Hz, these speakers are ideal for radios with 7 watts or less of PA output power. PDK503 and PDK504 measure 7-13/16" diameter and have a dispersion of 120°. PDK5001 is 5-1/4" x 8-1/2" and has a 120° x 60° dispersion.

PDK503 Speaker, 4 ohm

PDK504 Speaker, 8 ohm

Part Number Index

Two-way Mobile Radios



	page
01	
0100851093	44, 46
0102705K33	163, 165, 167, 169
0102706K90	167, 169
0102706K91	163, 165, 169
0102709J83	207
0104001J47	105, 115
0180001P01	91
0180016K02	17
0180016R09	65
0180049S08	209
0180049S09	209
0180049S10	209
0180049S11	209
0180049S12	209
0180049S13	209
0180049S14	209
0180049S15	209
0180058T16	209
0180251J02	85, 91
0180300B10	144
0180304E80	181
0180320B16	68, 133, 145, 223
0180352A01	153, 161
0180353A75	18, 36
0180355A28	133
0180355A50	82
0180357A56	51, 55
0180357A57	19, 37, 63, 69, 77, 83, 97, 103, 109, 119, 125, 132, 144, 152, 160, 172, 177, 181, 185, 195, 205
0180358A56	19, 37, 63, 69, 77, 83, 97, 103, 109, 119, 125, 132, 144, 152, 160, 172, 177, 181, 185, 195, 205
0180370B87	68, 132, 145
0180386A82	133, 223
0180427U02	147
0180605B01	105
0180701Y58	105, 115
0180704Y83	105, 115
0180704Y99	115
0180743T91	217
0180747T30	73
0180750T31	85
0180750T91	130, 218
0180756T47	135
0180758T08	186

	page
02	
0200001355	129, 217
0200007003	155
0200007005	85
0200119913	85
0205681N03	217
0280006A01	85, 91
0280142M01	139
0280143M01	137
0280477U01	147
0280478U01	147
0284218M01	207
0284218M02	207
03	
0300007467	127
0300040M08	127
0300135726	89
0300136756	65, 87, 89
0300138015	129
0300139581	214-215
0300140001	131, 219
0300140287	93
0302637Y01	163, 165, 167, 169
0305760W02	213
0307644M19	129, 217
0310907A20	163, 165, 167, 169, 190-191, 213
0310908A18	85, 87, 91, 135, 211
0310908A26	85, 91
0310908A29	89
0310908A33	87, 89, 135, 211
0310908A35	85, 91
0310908A97	141
0310908B08	65, 85, 91
0310911A11	65, 85, 91, 137, 139, 141
0310911A12	190-191
0310911A30	197
0310913A29	85, 89, 91
0310936E14	85, 91
0310943J11	147, 155
0310943M09	71, 73, 85, 91, 105, 115, 121, 130, 218
0310943M10	71, 73, 105, 115, 121
0310943M11	115
0310943M17	85, 91
0310943R04	71, 73, 85, 91, 121
0310943R55	71, 73, 105, 115, 121, 141

	page
0310945A11	71, 73, 87, 105, 115, 121, 129, 135, 211, 214-215
0310945A14	65, 87, 135, 207, 209, 211
0311994A23	115
0312002A01	217
0312002A28	141
0312002B14	131, 137, 139, 219
0312002C01	129, 217
0312016A27	137, 139, 141
0380001P01	85
0380041S01	211
0380043L01	65, 71, 73, 105, 121, 139, 141
0380076E02	93
0380076E04	130, 218
0380077M01	65, 127, 129, 217
0380077M02	65, 139
0380077M03	65, 137
0380077M07	207, 209, 213-215, 217
0380102P01	137, 139, 141
0380114M02	127, 137, 139
0380114M03	129, 217
0380114M04	129, 217
0380114M05	129, 217
0380160E01	87, 137, 139
0380214R01	141
0380270L01	71, 73, 105, 115, 121
0380271L01	71, 73, 105, 115, 121
0384208M16	127
0384244C06	65, 127, 129, 131, 219
0385870E01	213
04	
0400001757	219
0400002636	71, 73, 121
0400002647	217
0400007555	89
0400007652	129
0400007688	141
0400114522	85, 91
0400124629	93
0400128991	217
0400131974	65, 71, 73, 121, 139, 214-215
0400132718	137, 141
0400135784	89
0401032718	139
0405171J03	141
0480017F01	65, 85, 91
0480149A01	85, 89, 91



Part Number Index

Two-way Mobile Radios



	page
0480217E01	137, 139
0480285R01	141
0480299R01	219
0480943V01	105, 115
0482418B09	105, 115
0483045H01	129
0484180C01	65, 85, 91
0484219M01	207
0484219M02	207
0484336M01	127
0484338M01	127
05	
0500132475	89
0500855939	93
0580148D01	130, 218
0580149R01	115
0580221K01	130, 218
06	
0611086A27	131, 219
07	
0702084U02	188
0702103U01	186-187
0702643Y01	167, 169
0704779P01	187-188
0780015A02	85, 91
0780016A02	85, 91
0780020R01	129
0780030A01	85, 91
0780037M01	71, 73, 105, 115, 121
0780078A01	85, 91
0780086N01	137
0780086N02	65, 127, 139
0780100A02	89
0780101A01	89
0780113B01	85, 91
0780127N02	129, 217
0780141N01	85, 91
0780142N01	91
0780143N01	85
0780159A01	89
0780200E01	131, 219
0780200P01	129, 217
0780201P01	129, 217
0780255R01	141
0780257N01	129

	page
0780263L01	87
0780360K01	163, 165
0784323C01	87, 135, 211
0784576B02	28
0786099B01	199-200
09	
0905901V08	189-191
0905902V04	190-191
0980051B01	89
0980080L01	85, 91
0980131M01	71, 73, 105, 115, 121
0980159P01	214-215
0980218J01	130, 218
0980255E01	71, 73, 105, 115, 121
0980272N02	65, 139
0980476U01	147
0983228R01	155
0986105B01	197
0986165B01	197
0986166B02	197
11	
1185984D01	223
13	
1300133M05	131, 219
1302085U01	188
1302100U01	187
1380020H09	93
1380020H10	93
1380087J01	135, 211
1380087J04	87
1380276L02	71
1380277L01	73, 121
1380277L05	121
14	
1405410X01	211
1480001M01	137
1480075D01	85, 91
1480135H01	91
1480143A04	85
1480143M01	137
1480258N01	93
1480269K01	211

	page
15	
1500335M01	130, 218
1502100U14	187
1502100U15	188
1502102U05	186
1502117Z07	207
1502117Z08	207
1502117Z10	207
1502117Z11	207
1502117Z12	207
1502455Y05	187-188
1504501J01	147, 155
1504606J01	155
1504606J02	155
1505125X04	87
1505125X12	211
1505199X01	135
1505199X04	87
1505199X05	211
1505764X01	190
1505849X01	191
1505908V02	189
1510183A18	131, 219
1580005G01	215
1580010P02	65
1580020S16	209
1580020S17	209
1580020S18	209
1580020S19	209
1580020S22	209
1580020S23	209
1580020S24	209
1580020S25	209
1580020S26	209
1580020S27	209
1580048N01	65, 139
1580062P04	129
1580062P07	129
1580062P11	215
1580062P12	214, 217
1580066B01	91
1580074M05	121
1580076M01	71, 73, 121
1580097L01	65
1580098L01	65, 137, 139, 141
1580099L01	65, 137, 139, 141
1580099R02	131, 219
1580108A01	89

Part Number Index

Two-way Mobile Radios



	page
1580109A01	89
1580124M01	71, 73, 91, 121
1580127L01	71, 73, 105, 115, 121
1580129L01	71, 73
1580132P01	141
1580162N02	85, 91
1580208R01	141
1580216R01	141
1580217R01	141
1580218R01	141
1580221J01	87, 135, 211
1580223N02	137, 139, 141
1580237B02	89
1580246N01	139
1580293L02	129
1580293L03	217
1580355K01	167, 169
1580365K01	186-188
1580516B01	105
1580516B02	115
1580566B02	115
1580650K01	163, 165
1580922V01	197
1580953T01	71, 73, 85, 91
1585245E01	213, 217
1585860C02	213
1586083B01	197
1586084B01	197
1586086B01	198
1586087B01	199
1586088B01	200
1586092B01	198
1586093B02	199-200
1586169B01	197
1586170B01	197
18	
1805911V01	200
1805911V02	198-199
1880095D07	93
1880126A03	89
23	
2380167C03	85, 91
26	
2604417J01	155
2604420J01	147, 155

	page
2604555E01	189
2604693P01	190
2604802K01	189
2605131X01	137, 139, 141
2605265Y02	191
2605387Z02	191
2605625X03	190
2605652W02	189
2605704V02	137, 139, 141
2680009M02	137
2680009M03	65
2680010M02	65, 139
2680011M01	65, 137
2680038M03	71, 73, 85, 91, 121
2680070B01	85
2680079B01	91
2680105N01	65
2680124L02	71, 73, 121
2680124L03	71, 73, 105, 115, 121
2680138P02	141
2680139P01	141
2680154A01	85
2680163N01	85, 91
2680186M01	65, 139
2680187N02	137
2680190P02	135, 211
2680201R01	141
2680223M05	71, 73, 121
2680223M07	105, 115
2680229L03	105, 115
2680238N01	85
2680254A01	91
2680274A01	85, 91
2680275A01	85, 91
2680439K01	163, 165, 167, 169
2680448U01	147
2680497B01	105, 115
2680498B01	105
2680519K01	163, 165, 167, 169
2680923T01	91
2685498E01	213
27	
2705703V02	137, 139, 141
2705815W02	191
2705816W06	190
2705920V07	189
2780082N01	137

	page
2780082N04	139
2780128L04	71, 73, 85, 91, 121
2780133P02	141
2780354K01	163, 165, 167, 169
2780496B01	105, 115
2785862C02	213
2786082B01	197
2786168B01	197
28	
2802101U01	187-188
2802102U01	186-188
2802638Y01	163, 167
2802638Y02	163
2802638Y03	165, 169
2802638Y04	165, 167, 169
2804431J01	147, 155
2804637J01	115
2805347X02	191
2805778W01	135, 211
2864287B01	198-200
2880005S08	93
2880195N01	93
2880228J01	87
2880260M01	65, 137, 139, 141
2880376E84	59, 76, 102, 107, 109, 117-118, 123-124, 149, 153, 158, 161, 171
2880600B02	105, 115
2880923V01	105, 115
2886122B02	197
2886130B01	199-200
2886130B02	199-200
29	
2900129883	71, 73, 105, 115
2900824456	129, 217
2980014A01	85
30	
3000056M01	83
3004510J01	155
3010286A04	91
3010286A06	91
3030211R01	141
3080010R02	129
3080034K01	87, 211
3080037R12	141



Part Number Index

Two-way Mobile Radios



	page
3080070N01	63, 77, 96, 102, 109, 119, 125, 152, 160, 172
3080091M01	137, 139, 141
3080114R02	141
3080144D03	218
3080152M15	141
3080159N01	85, 91
3080206L01	130, 218
3080210P01	130
3080212R01	141
3080223J01	87
3080227N01	93
3080231N01	85, 91
3080234N01	85, 91
3080239N02	65, 137, 139
3080261M01	137, 139
3080261M03	141
3080369B71	19, 36, 63, 69, 77, 83, 96, 103, 108, 119, 125, 132, 144, 152, 160, 172, 177, 181, 185, 194, 204
3080369B72	19, 36, 63, 69, 77, 83, 96, 103, 108, 119, 125, 132, 144, 152, 160, 172, 177, 181, 185, 194, 204
3080369B73	69, 132, 144
3080373B25	69, 133, 145
3080373B26	69, 133, 145
3080373B27	69, 133, 145
3080373B41	63, 69, 77, 96, 102, 133, 145, 153, 161
3080373B42	176, 181, 185
3080486U01	147
3080978Z03	115
3083155H01	131, 219
3085019F01	213, 217
3085020F01	213
3085741E01	213

32

3200046M04	219
3202462Y03	187-188
3202606Y01	163, 165, 167, 169, 197
3202607Y01	197
3202619Y01	163, 165, 167, 169
3202620Y01	163, 165, 167, 169, 197
3204411J01	147, 155
3204412J02	155

	page
3204416J01	147, 155
3204502J02	155
3205082E20	89
3205082E90	135, 211
3205082E97	190
3205143X01	211
3205144X01	135, 211
3205145X01	211
3205198X01	135, 211
3205457V01	141
3205457Z01	189-191
3205457Z02	189
3205457Z04	190-191
3205805V01	207
3205931V02	189-190
3205932V01	165, 169
3205932V02	163, 167, 186
3205934V01	189, 191
3205935V01	189-191
3206682F01	131, 219
3206849K01	131, 219
3280000P01	85, 91
3280000S01	131, 219
3280014N03	71, 73, 105, 115, 121
3280015M01	65, 139
3280020C01	85, 91
3280025R01	215
3280038C01	89
3280039M01	73, 105, 121
3280053P01	137, 139
3280057K02	87
3280058H03	93, 130, 218
3280060H01	93
3280062H01	93
3280063H01	93
3280063P01	129, 214-215, 217
3280074A02	85, 91
3280074B01	91
3280080A01	85, 91
3280084A02	91
3280088M01	65, 137, 139
3280089M02	137, 139
3280118R01	141
3280120R01	141
3280128J01	87
3280140B03	89
3280178J01	87
3280179J01	87

	page
3280180J02	87
3280181J01	87
3280203B01	89
3280206R01	141
3280206R02	141
3280231M01	129, 217
3280247N01	65, 137, 139, 141
3280289L02	65, 129, 207, 209, 214-215, 217
3280295C01	85, 91
3280484U01	147
3280494K01	163, 165, 167, 169
3280511L01	163, 165, 167, 169
3280542K01	187-188
3280565B01	115
3280907T01	73, 121
3285471E01	213, 217
3285495E01	213
3285742E01	213
3285743E01	213
3285744E01	213
3286094B01	198

33

3305179X01	191
3305873U04	190-191
3380017N14	71, 73
3380025H21	93
3380028N03	85, 91
3380080E01	141
3380116A09	89
3380116A10	89
3380117A01	89
3380178M01	135, 211

35

3500008M02	218
3506850K01	219
3580089D01	130, 218
3580132R01	115

36

3602100U01	187
3602113Z03	207
3602113Z05	207
3604414J02	147, 155
3605422W02	163, 165, 167, 169
3605893W02	186-188

Part Number Index

Two-way Mobile Radios



	page
3608147K01	163, 165, 167, 169
3680053H01	93
3680102A01	89
3680106M02	121
3680106M03	105, 115
3680107A01	89
3680107A05	89
3680107A06	89
3680107A07	89
3680144M01	71, 73
3686098B02	198-200
37	
3786107B01	199-200
38	
3805670X03	65, 135
3805670X04	65, 87, 135
3805670X05	87
3805672X01	135
3805672X02	87
3805672X03	87, 135
3805672X10	135
3805672X12	135
3805672X14	87, 135
3805672X17	135
3805672X18	87, 135
3805672X19	87
3805672X26	135
3805672X31	135
3805672X36	135
3805672X39	87, 135
3805672X41	135
3805672X44	135
3805672X45	135
3805672X61	135
3805672X62	135
3805672X63	135
3880009P01	209
3880009P02	209
3880054H02	93
3880064P01	129, 214-215, 217
3880077N01	73
3880092J01	65, 87
3880092J02	65
3880092J05	135, 209, 211
3880122R01	141
3880128J01	135, 211

	page
3880131P01	93
3880144D03	218
3880144D05	130
3880195P02	211
3880195P03	211
3880227M04	65, 209
3880253K01	135
3880253K02	87
3880253K04	211
3880272L02	71, 73, 121
3880568B01	115
39	
3910184A45	131, 219
40	
4005680K03	89
4080033K01	87
4080065E01	93
4080067H01	93
4080123H01	93
4080123H06	93
4080166N01	89
4080166N02	89
4083477E03	131, 219
41	
4105783W01	189-191
4180022A01	85, 91
4180029A01	85, 91
4180042S01	211
4180150R01	115
4180175A01	85, 91
42	
4205169Y01	191
4205496Y01	190
4205566W01	137, 141
4205627X01	190
4205727X02	190
4205938V01	163, 165, 167, 169, 189-191
4205940V01	189
4210113A31	89
4210128A22	89
4280007M01	65, 137
4280007M02	139, 141
4280013A01	85, 91
4280016M03	65, 137, 139

	page
4280137A03	91
4280192N01	139
4280202R01	141
4280232R01	141
4280253L01	71, 73, 105, 115, 121
4280253N01	93
4280261R01	141
4280264M02	139
4280265M02	65, 137
4280313A70	85, 91
4282018H05	131, 219
4284061A03	218
4284081A03	130
4284510M04	91
4284591A03	93
4284733F01	91
4285702E01	213
4295566W01	139
43	
4301028A23	89
4302112Z02	207
4305425W01	213
4305426W03	213
4380011L01	87
4380012L01	87
4380019S02	209
4380104N01	137
4380110R01	141
4380127J01	87
4380128N01	129, 217
4380150A01	91
4380273L01	71
4380275L01	73, 121
4380587U01	147
4382292M01	141
45	
4583015P01	127
46	
4602100U01	187-188
47	
4780021A01	85, 91
4780027A01	85, 91
4780176P01	141



Part Number Index

Two-way Mobile Radios



	page		page		page
48		59		68	
4805504C01	93	5900813674	102	6802058U20	195
4880153A01	85, 91	60		6802900A45	45
4880187G05	93	6082728J01	18, 36, 62, 68, 77, 83, 96, 103, 108, 119, 125, 132, 144, 152, 160, 172, 195, 205	6802901A45	46
50		61		6802901A91	83
5002236P05	163, 165, 167, 169	6102082U04	187-188	6802902A30	83
5004410J01	155	6105126X01	87, 135, 211	6802902A56	83
5004639J01	115	6105129X01	207	6802902A57	83
5005156Z02	186	6105146X01	211	6802945C70	173
5080085D02	71, 73, 121	6180017S01	65, 209	6802946C20	172
5080085D03	105	6180026R02	211	6802948C70	172
5080258E04	93	6180027R02	211	6802948C85	173
5080388A01	225	6180052H07	93	6880100W10	47
5080388A02	225	6180119A01	89	6880100W15	47
5080388A03	225	64		6880100W20	47
5080388A04	225	6480019A01	85, 91	6880100W36	47
5080442U01	147	6480108R01	65	6880100W39	47
5083102C01	226	65		6880100W43	19, 31, 37
5084561B08	131, 219	6580098J01	87	6880100W44	19, 31, 37
5084898K10	66, 142	6580284N01	89	6880100W45	31
5086126B01	198-200	66		6880100W51	31
51		6680163F01	18, 68, 76, 96, 132, 145, 223	6880100W53	19, 31, 37
5180065C04	85, 91	6680344A57	30	6880100W72	19, 31, 37
5180135C08	93	6680344A58	30	6880100W73	19, 37
54		6680371B14	36	6880100W79	13, 19, 31, 37
5480166K01	91	6680385A04	13	6880100W86	19, 31, 37
5480643K01	163, 165, 167, 169	6680387A70	68	6880100W89	19, 31, 37
55		6680387A72	68, 76, 96	6880100W90	37
5500893872	85	6680387A74	18, 36, 68, 76, 96	6880100W91	37
5580002A01	85, 91	6680387A75	18, 36, 68, 76, 96	6880100W92	37
5580102R01	141	6680387A76	18, 36	6880100W95	37
5580370A01	85, 91, 141	6680387A77	68, 76, 96	6880100W96	37
5583817F01	127	6680388A13	35, 59, 68, 76, 82, 96, 109, 118, 124, 153, 161	6880101W10	19, 31, 37
5583818F01	127	6680388A26	62, 68, 76, 96, 109, 118, 124, 133, 145, 153, 161	6880101W13	19, 31, 37
5584300B01	65, 137, 139, 141	6681045E20	45	6880101W15	19, 31, 37
5584300B04	65, 85, 91, 139, 141, 189-190	6682977K01	13, 51, 55	6880101W20	19, 31, 37
58		6684974L01	18, 30, 36	6880101W21	19, 31, 37
5880367B21	69, 133, 145, 176, 181, 185	6686119B01	223	6880101W33	69, 145
5880367B22	59, 76, 102, 109, 118, 124, 153, 161			6880101W37	69, 145
5880384G68	69, 133, 145			6880101W39	69, 145
				6880101W58	63, 125
				6880101W59	63
				6880101W62	19
				6880101W72	19, 31, 37
				6880101W73	19, 31, 37
				6880101W75	19, 31, 37
				6880101W77	37
				6880101W90	19, 31, 37

Part Number Index

Two-way Mobile Radios



	page		page		page
6880101W95	37	6881064E20	51	6881115E62	51
6880101W97	19, 31, 37	6881065E65	45	6881115E93	51
6880102W04	19, 31, 37	6881066E80	31	6881120E82	51
6880102W05	19, 31	6881070C95	69, 145	6881120E83	51
6880102W21	97	6881072E05	55	6881120E84	55
6880102W33	69, 145	6881074C45	69, 145	6881120E85	55
6880102W84	77	6881076C20	69, 145	6881121E55	103
6880102W94	97	6881076C25	69, 145	6881121E56	103
6880102W95	97	6881078E55	103	6881121E57	103
6880103W01	133	6881080C35	195		
6880103W09	19, 31, 37	6881080C41	195	72	
6880200W07	47	6881080C42	195	7202076U03	188
6880900Z10	63	6881080C43	195	7202076U04	187
6880900Z13	63	6881080C44	195	7202100U03	186
6880900Z45	125	6881080C48	195	7202631Y01	163, 165, 167, 169
6880901Z50	125	6881080C49	195	7280242J01	135, 211
6880902Z09	109	6881082C81	181	7286104B01	199-200
6880902Z32	109	6881082C82	181		
6880902Z96	119	6881083C05	195	75	
6880902Z97	119	6881083C10	195	7502101U05	186
6880902Z98	119	6881083C11	177, 181, 185	7502118Z01	135, 211
6880903Z03	119	6881083C13	177, 181, 185	7502118Z02	211
6880903Z05	119	6881083C20	195	7502565Y04	187
6880903Z45	161	6881083C48	195	7502566Y04	188
6880903Z46	161	6881083C49	195	7504436J01	155
6880903Z65	119	6881083J25	195	7504436J02	155
6880903Z67	119	6881091C54	205	7505127X01	211
6880903Z74	161	6881091C55	205	7505128X01	207
6880903Z88	161	6881091C56	205	7505241Z03	187
6880903Z89	161	6881091C62	205	7505242Z03	188
6880904Z10	161	6881091C63	205	7505295B01	137, 139, 141
6880904Z96	153	6881092C58	205	7580012S03	209
6881030C65	47	6881096C68	223	7580043F01	85
6881035C10	47	6881096C72	223	7580054F01	91
6881040E80	13	6881096C73	223	7580094M04	87
6881043E50	31	6881102E60	19, 31, 37	7580094M05	135, 137, 139, 141, 211
6881043E55	31	6881109E57	13	7580189L03	65
6881045E20	45	6881109E58	13	7580200L01	71
6881045E25	45	6881110E50	13	7580201L01	73, 121
6881045E30	45	6881110E80	45	7580358K01	163, 165
6881045E70	13	6881110E83	31	7580359K01	167, 169
6881045E75	13	6881110E87	31	7580450U01	147
6881045E80	13	6881110E89	31	7580517B01	105
6881047E05	31	6881110E93	31	7580541C01	115
6881047E40	45	6881111E70	31	7580918T02	71, 73, 121
6881047E45	45	6881111E94	31	7580983Z03	115
6881060E05	31	6881112E36	45	7582200H01	65, 91
6881060E10	31	6881115E07	45	7585060F01	213



Part Number Index

Two-way Mobile Radios



	page
7586089B01	198
7586090B01	199
7586091B01	200

81

8180384N71	223
------------------	-----

83

8380043L01	137
------------------	-----

84

8402618Y01	163, 165, 167, 169
8486127B01	198-200

91

9102100U01	186
9102102U01	187-188

A

AAHLN9725	203
AAHN4045	207
AAREX4617	106, 116, 122, 149, 156, 201
AARKN4081	204
AARKN4083	204
AARMN4025	201
AARMN4026	201
AARMN4027	201
AARMN4038	201

F

FCN1630	165, 169
FKN4130	179, 183
FKN4131	176, 179, 183
FKN4588	173
FKN5050	176, 179, 183
FLF1023	165
FLF5582	163, 167
FLF5588	169
FLN2196	181, 185
FLN2196	177, 181, 185
FLN2268	178, 182
FLN2270	174, 178, 182
FLN2320	174, 178, 182
FLN8212	179, 183
FLN8530	163
FLN8834	178, 182
FMN1611	178, 182
FSN5510	170

	page
--	------

G

GKN6262	193
GKN6270	171, 173
GKN6271	171
GKN6272	171
GLN7278	192
GLN7279	192
GLN7280	193
GLN7282	193
GLN7317	163, 165, 167, 169, 170, 202
GLN7318	203
GLN7323	171
GLN7324	202
GLN7326	203
GLN7350	198
GLN7352	199-200
GMN6147	192

H

HAD4006	60, 67, 76, 108, 144, 151, 159, 194, 204, 222
HAD4007	60, 67, 76, 108, 118, 144, 151, 159, 194, 204
HAD4008	67, 76, 108, 118, 144, 151, 159, 194, 204, 222
HAD4009	60, 67, 76, 108, 118, 144, 151, 159, 194, 204, 222
HAD4014	108, 118, 151, 159, 204
HAD5007	222
HAE4002	67, 76, 108, 144, 194, 204
HAE4003	60, 67, 76, 108, 118, 144, 151, 159, 194, 204, 222
HAE4004	67, 76, 108, 118, 144, 151, 159, 194, 204
HAE4007	61
HAE4010	67, 76, 108, 144, 194, 204
HAE4011	67, 76, 108, 118, 144, 151, 159, 194, 204
HAE4012	67, 76, 108, 118, 144, 151, 159, 194, 204, 222
HAE4013	67, 76, 108, 118, 144, 194, 204
HAE6010	222
HAE6011	222
HAE6012	222
HAE6013	222
HAF4002	67, 76, 144, 171, 174, 179, 183, 193

	page
--	------

HAF4003	174, 179, 183
HAF4013	222
HAF4014	222
HAF4015	222
HAF4016	222
HAF4017	222
HAF4018	222
HCN1089	94
HCN1090	94
HCN3018	167
HCN4046E	211
HCN4058	187
HCN4059	188
HKN1015	95
HKN4007	11
HKN4008	12
HKN4017	10
HKN4041	12
HKN4051	17, 28
HKN4137	58, 107, 109, 117, 119, 125, 149, 152, 158, 160, 203
HKN4139	59, 66, 75, 106, 116, 143
HKN4191	109, 117, 119, 123, 125, 152, 160, 193, 203, 221
HKN4192	102, 193, 203, 221
HKN4241	17, 34-35
HKN4284	75
HKN4321	87
HKN4356	135, 207, 209, 211, 221
HKN6103	179, 183
HKN6110	193
HKN6111	193
HKN6112	193
HKN6113	193
HKN6118	193
HKN6123	179, 183
HKN6124	179, 183
HKN6125	179, 183
HKN6127	192
HKN6128	193
HKN6129	192
HKN6130	192
HKN6131	179, 183
HKN6155	223
HKN6158	221
HKN6159	221
HKN6604	181, 185
HKN6605	181, 185

Part Number Index

Two-way Mobile Radios



	page		page		page
HKN9018	148, 157	HLN3199	75, 106, 116, 123	HLN6169	127
HKN9019	149, 158	HLN4012	10	HLN6188	221
HKN9088	106, 116, 123, 148, 153, 157, 161, 170	HLN4022	10	HLN6344	215
HKN9308	102	HLN4024	10	HLN6365	214
HKN9309	102	HLN4033	85, 91	HLN6372	193, 221
HKN9324	74, 107, 117, 123, 150	HLN4034	10, 85, 91	HLN6396	209
HKN9327	75, 107, 117, 123, 149, 158	HLN4111	17, 28	HLN6404	192
HKN9402	109, 119, 125, 152, 160	HLN4188	12	HLN6405	170, 192
HKN9407	149, 157	HLN4262	36	HLN6412	189-191
HKN9455	75, 106, 116, 123	HLN4426	58	HLN6458	137, 139, 141
HKN9557	76, 107, 117, 123, 149, 158, 171	HLN4606	58	HLN6519	174, 178, 182
HKN9755	153, 161	HLN4703	47	HLN6521	174, 178, 182
HKN9969	149, 158	HLN4811	95	HLN6536	179, 183
HLD4051	11	HLN5066	211	HLN6537	178, 182
HLD4052	11	HLN5072	211	HLN6542	178, 182
HLD4335	85	HLN5074	211	HLN6555	95
HLD4337	85	HLN5076	211	HLN6563	209
HLE4444	91	HLN5078	211	HLN6580	192
HLE4449	91	HLN5079	211	HLN6581	192
HLE9310	85	HLN5083	211	HLN6642	193
HLE9310C	91	HLN5085	211	HLN6861	213
HLF6078B	137	HLN5087	211	HLN6876	213
HLN1001	11	HLN5090	211	HLN6877	213
HLN1063	28	HLN5091	211	HLN6884	217
HLN1065	28	HLN5095	211	HLN6890	217
HLN1066	28	HLN5113	66, 143, 193, 221	HLN8027	149, 158
HLN1068	47	HLN5131	66, 143	HLN8071	105, 115
HLN1069	47	HLN5184	71, 73	HLN8075	105
HLN1070	47	HLN5189	58, 74, 107, 117	HLN8097	108, 117, 202
HLN1071	47	HLN5226	58, 74, 108, 117	HLN8098	108, 117
HLN1075	28	HLN5256	211	HLN8099	108, 117
HLN1077	47	HLN5257	211	HLN8144	108, 117
HLN1093	47	HLN5258	211	HLN8375	106
HLN1094	47	HLN5259	211	HLN8413	107, 117
HLN1095	47	HLN5268	211	HLN8439	115
HLN1121	47	HLN5292	59, 75, 106, 116, 123	HLN9027	108, 117
HLN1122	47	HLN5342	91	HLN9073	58, 74, 106, 116, 122, 129, 149, 156, 178, 182
HLN1125	19, 28, 31	HLN5343	85, 91	HLN9100	102, 107, 117
HLN1220	16, 34, 66, 94, 142	HLN5344	85	HLN9154	150, 158
HLN1224	17, 35, 221	HLN5345	91	HLN9155	153
HLN1342	221	HLN5391	129, 217	HLN9162	150, 158
HLN1398	94	HLN5402	85, 91	HLN9179	150, 158
HLN1400	95	HLN5459	218	HLN9226	148, 157
HLN3067	170	HLN5558	137, 139, 141	HLN9227	150, 158
HLN3091	95	HLN6008	67, 143	HLN9228	150, 158
HLN3145	74, 107, 150	HLN6025	67, 143	HLN9242	117, 149, 158
		HLN6042	66, 143, 221	HLN9284	107, 117
		HLN6168	127		



	page
HLN9328	75, 107, 117, 123, 150, 159
HLN9329	107
HLN9330	75, 107, 123
HLN9374	75
HLN9404	74, 107, 117, 124
HLN9408	150, 158
HLN9414	149, 156
HLN9450	74, 107, 117, 124
HLN9457	76, 106, 116, 122
HLN9534	150
HLN9559	58, 74, 106, 116, 122, 149
HLN9560	74, 106, 116, 122, 149
HLN9573	106, 116, 122, 150, 158
HLN9617	150, 158
HLN9637	74
HLN9644	147
HLN9888	198
HLN9889	199
HLN9890	200
HMN1015	10, 28, 94
HMN1032	16, 34, 94, 135
HMN1035	58, 74, 106, 116, 122, 148, 156, 170
HMN1037	58, 74, 106, 116, 122
HMN1038	59, 75, 106, 116, 123, 192
HMN1050	66, 135, 142-143, 211, 220
HMN1052	135
HMN1053	66, 135, 142
HMN1056	58, 74, 106, 116, 122
HMN1061	34, 66, 94, 135, 142, 211, 220
HMN1062	132, 218
HMN1073	192
HMN1079	66, 142, 220
HMN1080	66, 142, 211, 220
HMN1085	192
HMN3000	75, 106, 116, 123, 148, 157, 170, 203
HMN3001	116, 148, 156
HMN3008	148, 156
HMN3013	74, 170
HMN3091	58
HMN3174	148, 156
HMN3220	170
HMN3596	106, 116
HMN4013	16, 34, 94
HMN4016	74
HMN4058	178, 182

	page
HMN4060	174, 182
HMN4069	192
HMN4072	192
HPN4001	44, 59, 66, 75, 106, 116, 123, 143, 192, 203, 221
HPN4002	59, 75, 106, 116, 170, 192, 203
HPN4004	174
HPN8393	148, 157
HPN9012	148, 157
HRF6004B	137
HRN6019	137
HSN1000	74, 107, 117, 123, 150
HSN4005	28
HSN4018	16, 34, 66, 142, 220
HSN4019	58, 74, 102
HSN4020	10, 94
HSN4021	94
HSN4029	178, 182
HSN4030	178, 182
HSN4038	192
HSN4039	192
HSN6003	132, 219
HSN8145	106, 202
HSN9008	150, 157
HSN9326	74, 123
HUD4016	191
HUD4019	191
HUD4021	191
HUE4017	191
HUE4018	191
HUE4020	191
HUF4017	213
HVN8177	109, 119
HVN9007	160
HVN9025	204
HVN9054	152
HVN9173	62, 125
HVN9177	62, 125
HVN9626	62
HVN9646	125
HVN9774	62, 125
M	
MBTRN4677	44, 46
MXW6804	127

	page
N	
NLN1125	37
NMN6210	192
NTN1578	181
NTN1579	181
P	
PDK5001	226
PDK503	226
PDK504	226
PMLN4019	207
PMLN4022	155
PMLN4023	155
R	
R1576	176, 181, 185
RAB4002A	204
RAB4002ARA	95
RAB4002ARB	76, 124
RAB4003A	204
RAB4003ARA	95
RAB4003ARB	76, 124
RAB4004A	204
RAB4004ARA	95
RAB4004ARB	76, 124
RAB4012ARA	12, 29
RAB4013ARA	12, 29
RAB4014ARA	12, 29, 35
RAD4000AMB	151, 159
RAD4002ARB	82
RAD4004ARB	82
RAD4005ARB	82
RAD4010ARA	29, 35
RAD4010ARB	61, 67, 76, 144, 194
RAD4010ATB	61
RAE4004AMB	151, 159
RAE4004ARB	108, 118, 151, 159
RAE4014A	222
RAE4014ARA	29, 35
RAE4014ARB	61
RAE4024ARB	82
RAF4003ARM	67, 76, 144, 171, 193
RAF4011ARB	82
RAF4136AMM	176, 180, 184
REX1173	181, 185
REX1174	181, 185
REX4126	122
RKN4047	144

Part Number Index

Two-way Mobile Radios



	page
RKN4062	194
RKN4063	194
RKN4066	181, 185
RKN4077	203
RKN4078	203
RKN4079	203
RKN4801	203
RKN4802	203
RLN4008	18, 36, 62, 68, 77, 83, 96, 103, 108, 119, 125, 132, 144, 152, 160, 172, 177, 181, 185, 195, 205
RLN4074	67, 143
RLN4075	67, 143
RLN4076	67, 143
RLN4077	67, 74, 143
RLN4078	67, 74, 143
RLN4091	74
RLN4092	74
RLN4093	74
RLN4094	74
RLN4137	63, 77, 96, 109, 118, 124, 153, 161
RLN4460	173, 176, 181, 185
RLN4774	202
RLN4779	202
RLN4781	203
RLN4782	203
RLN4801	203
RLN4802	203
RLN4829	203
RLN4830	203
RLN4831	203
RLN4836	201
RLN4856	201
RLN4857	201
RLN4858	201
RLN5132	75, 123
RPX4725	145
RRA4900	17
RRA4914	171, 175, 179, 183

	page
RRA4915	50, 54
RRA4917	50, 54
RRA4921	176, 180, 184
RRA4922	50, 55
RRA4923	175, 180, 184
RRA4925	50, 55
RRA4935	67, 76, 144, 171, 193
RRA4976	176, 180, 184
RRA4983	67, 76, 144, 171, 175, 180, 184, 193
RRA4986	171, 175, 180, 184
RRA4990	171, 175, 179, 183
RSN4001	202
RSX4028	13, 18, 30
RSX4043	18, 36, 68, 76, 96, 109, 118, 124, 132, 145, 153, 161, 223
RTK4043	30
RTL4801	28, 30
RTL5815	28
RVN4001	68, 132
RVN4007	37
RVN4009	18
RVN4011	83
RVN4019	77
RVN4023	97
RVN4043	77, 103
RVN4061	51, 55
RVN4063	83
RVN4069	30
RVN4099	68
RVN4100	144
RVN4102	37
RVN4113	194
RVN4121	177, 181, 185
RVN4122	177, 181, 185
RVN4135	62, 125
RVN4150	172
RVN4156	172
RVN4175	194
RVN4186	223

	page
S	
SDLN4192	187
SDLN4193	188
T	
TAD6112	95
TAD6113	95
TAD6114	95
TAD6290	44, 46
TAE6052	95
TAE6072	29, 35
TCN1350	31
TDN6251	16, 34, 66, 94, 142, 220, 224
TDN6252	16, 34, 66, 94, 142, 220, 224
TDN6253	16, 35, 66, 94, 142, 220, 224
TDN6254	16, 34, 66, 94, 142, 220, 224
THN6125	11
TKN6456	28
TKN6458	28
TKN8087	28
TKN8531	69, 133, 145
TLN5277	50, 54
TLN8845	11
TRN9524	50, 102
TRN9524	54
V	
VLN1060	45
VLN4777	82
Y	
YKN4228	94
YKN4229	94
YKN4230	94
YKN4246	221
YKN4248	221
YKN4249	221
YKN4255	221
YKN4256	221
YKN4261	221

