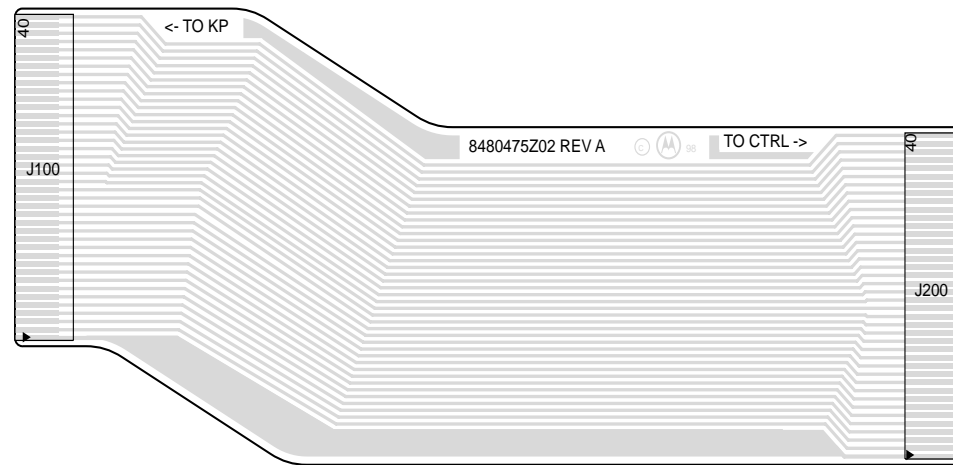
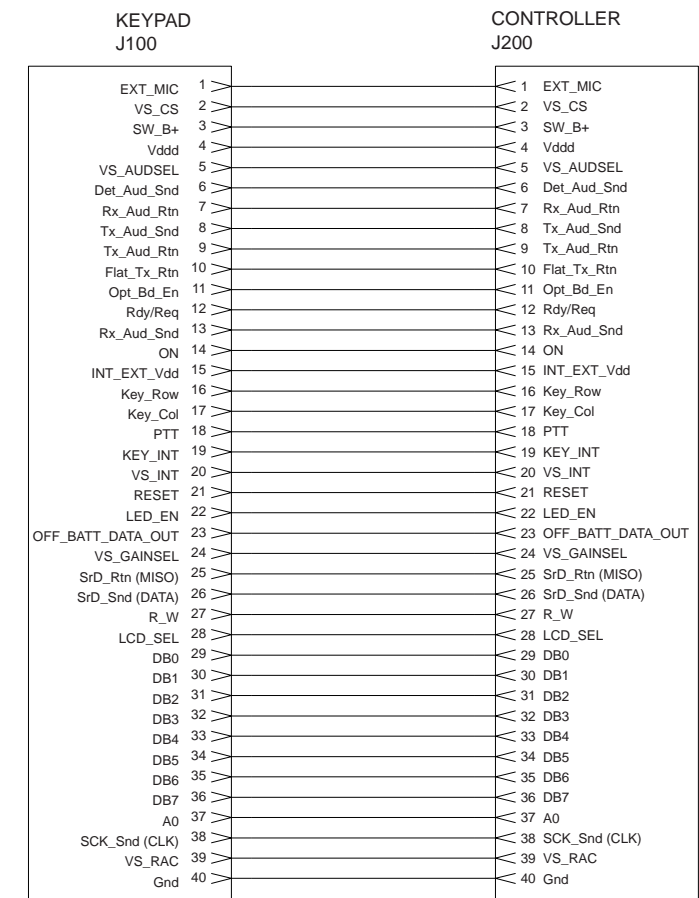


## 2.0 PCB/Schematic Diagrams and Parts List: Flexes

### 2.1 Keypad - Controller Flex



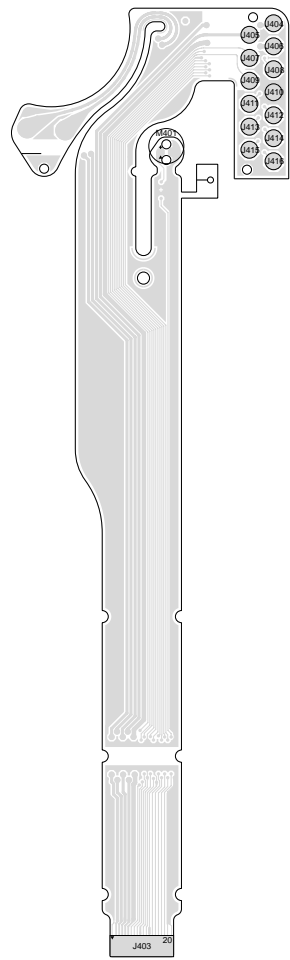
Keypad/Controller Interconnect Flex - Assembly



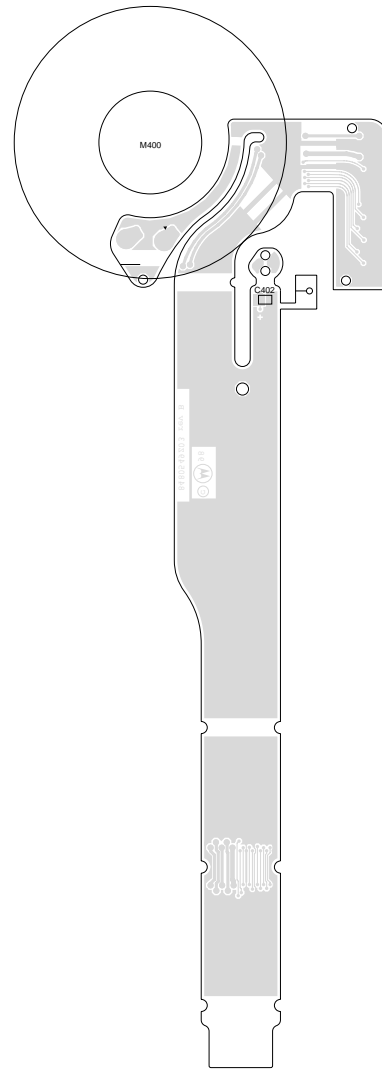
Keypad/Controller Interconnect Flex - Schematic Diagram

**Keypad - Controller Interconnect Flex (PCB No. 8480475Z02)**

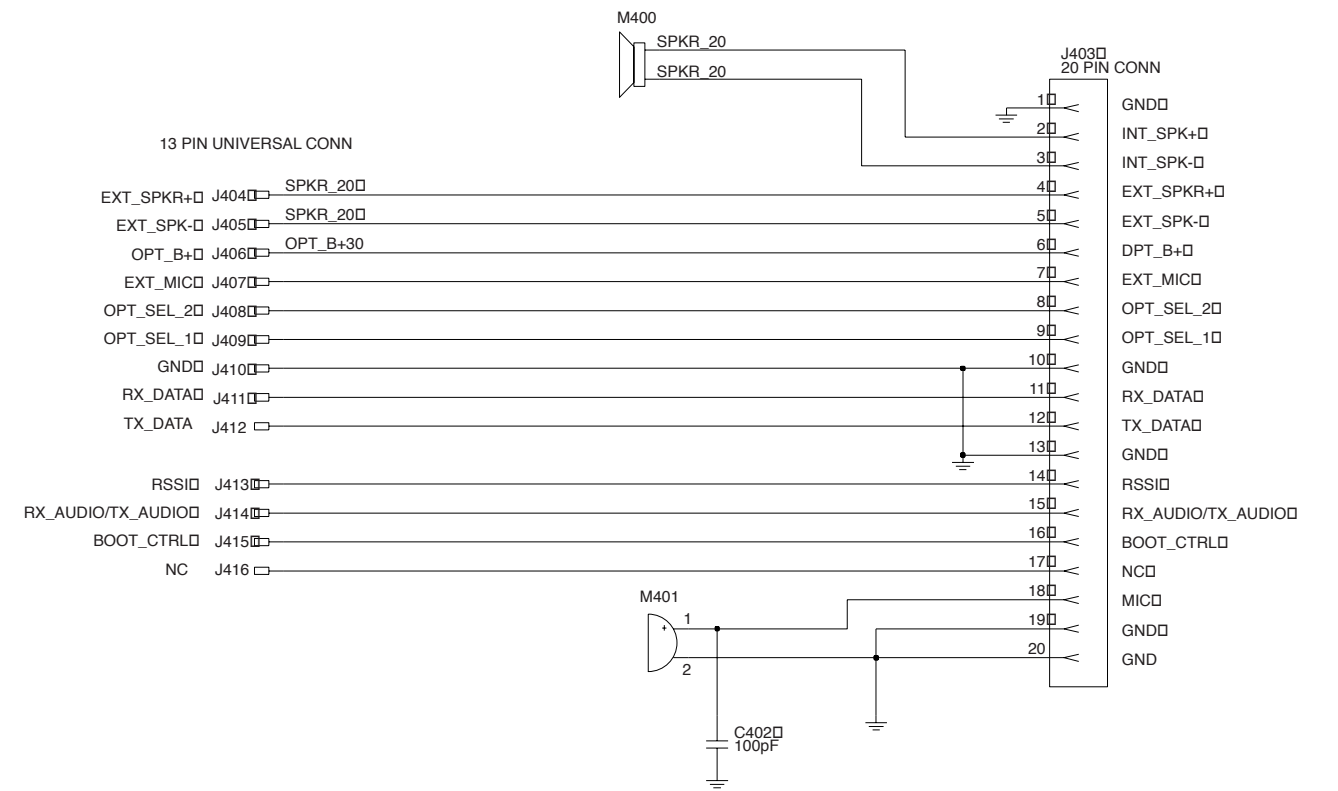
2.2 Universal Connector Flex



View from Top Side



View from Bottom Side

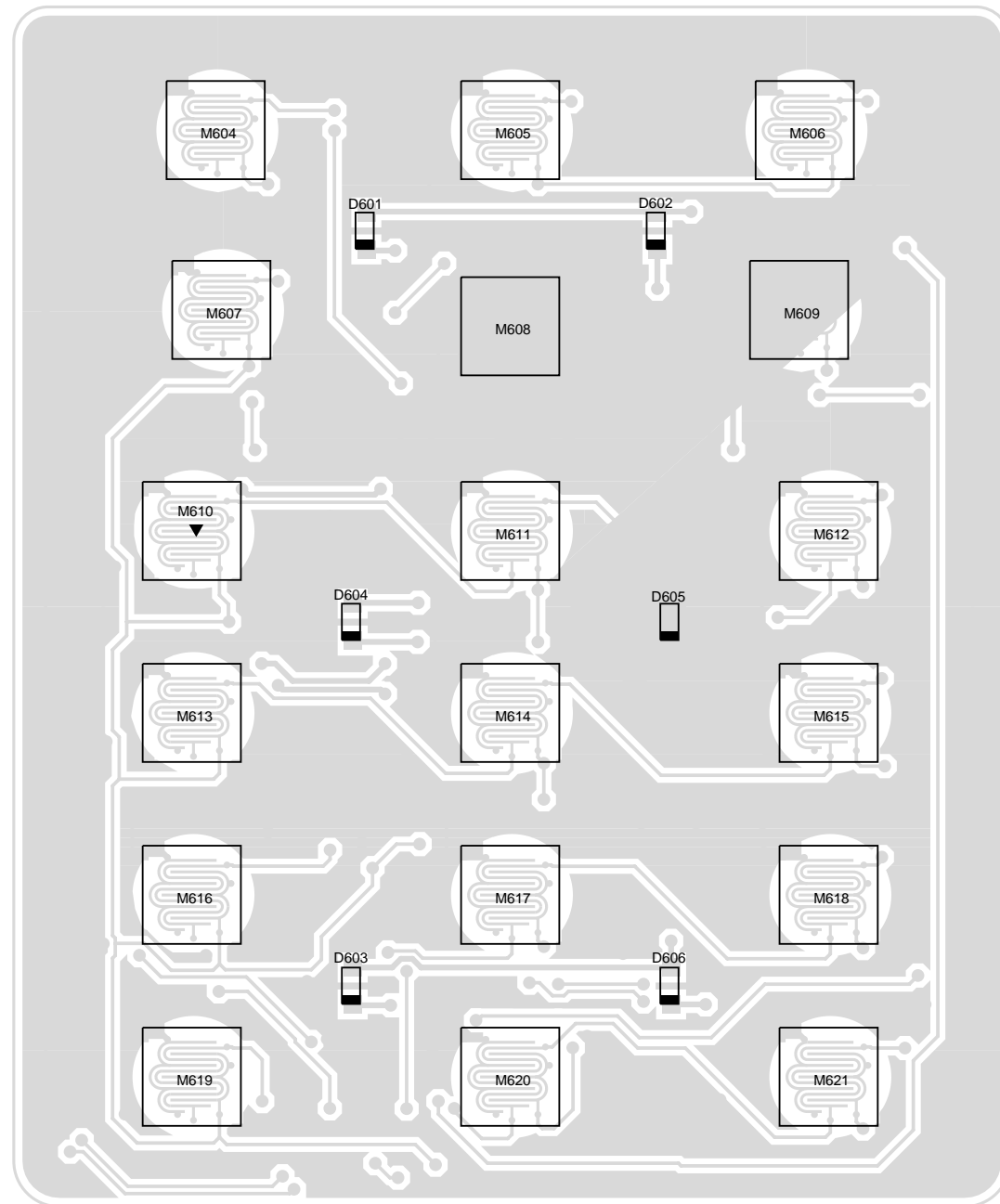


Universal Connector Flex - Schematic Diagram

Universal Connector Flex (8480549Z05)

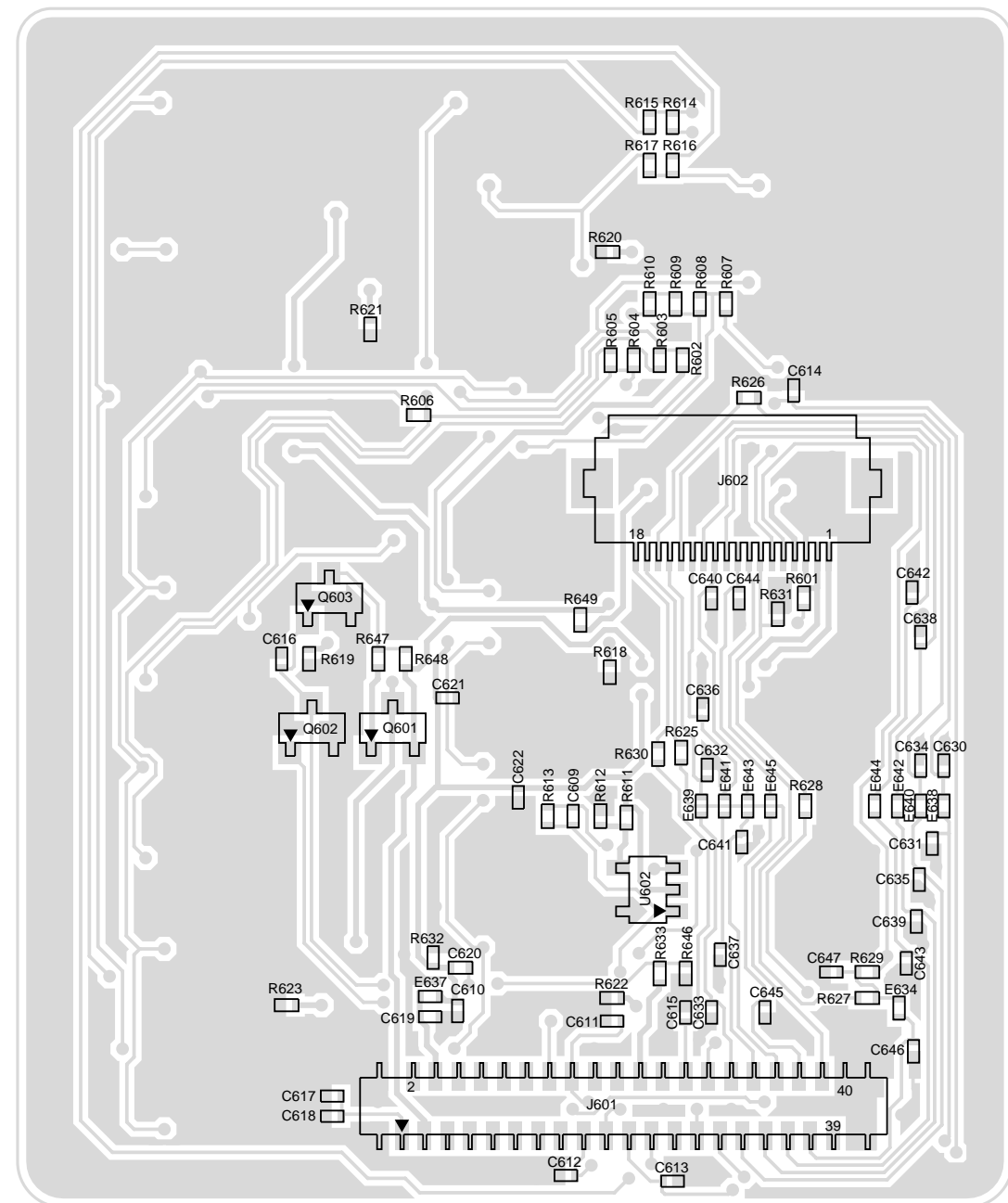
### 3.0 PCB/Schematic Diagrams and Parts List: Keypad

#### 3.1 PCB 8480574Z06 - Diagram



Top View

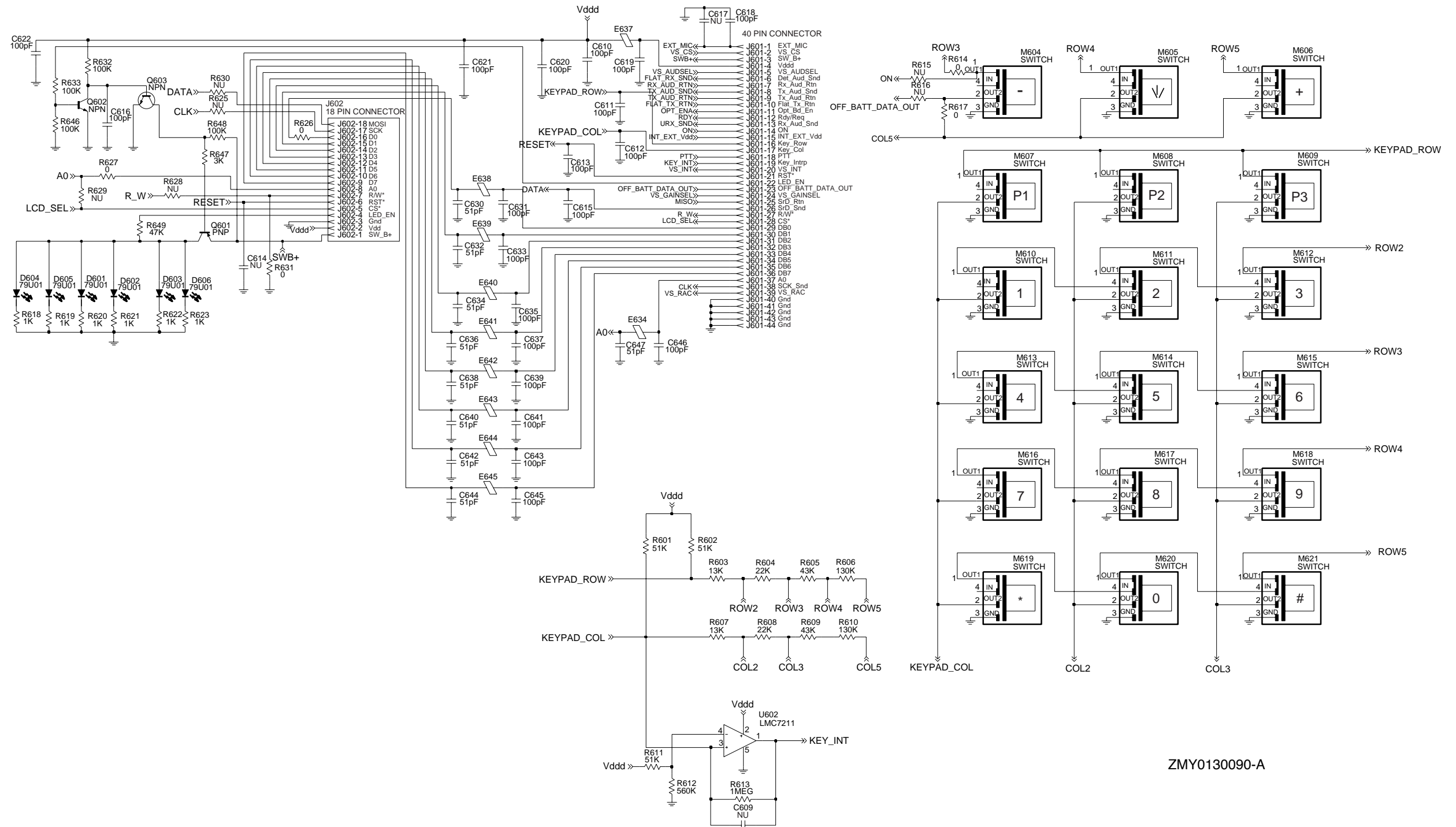
ZMY0130298-O



Bottom View

ZMY0130094-B

**Keypad Board (PCB No. 8480574Z06)**



ZMY0130090-A

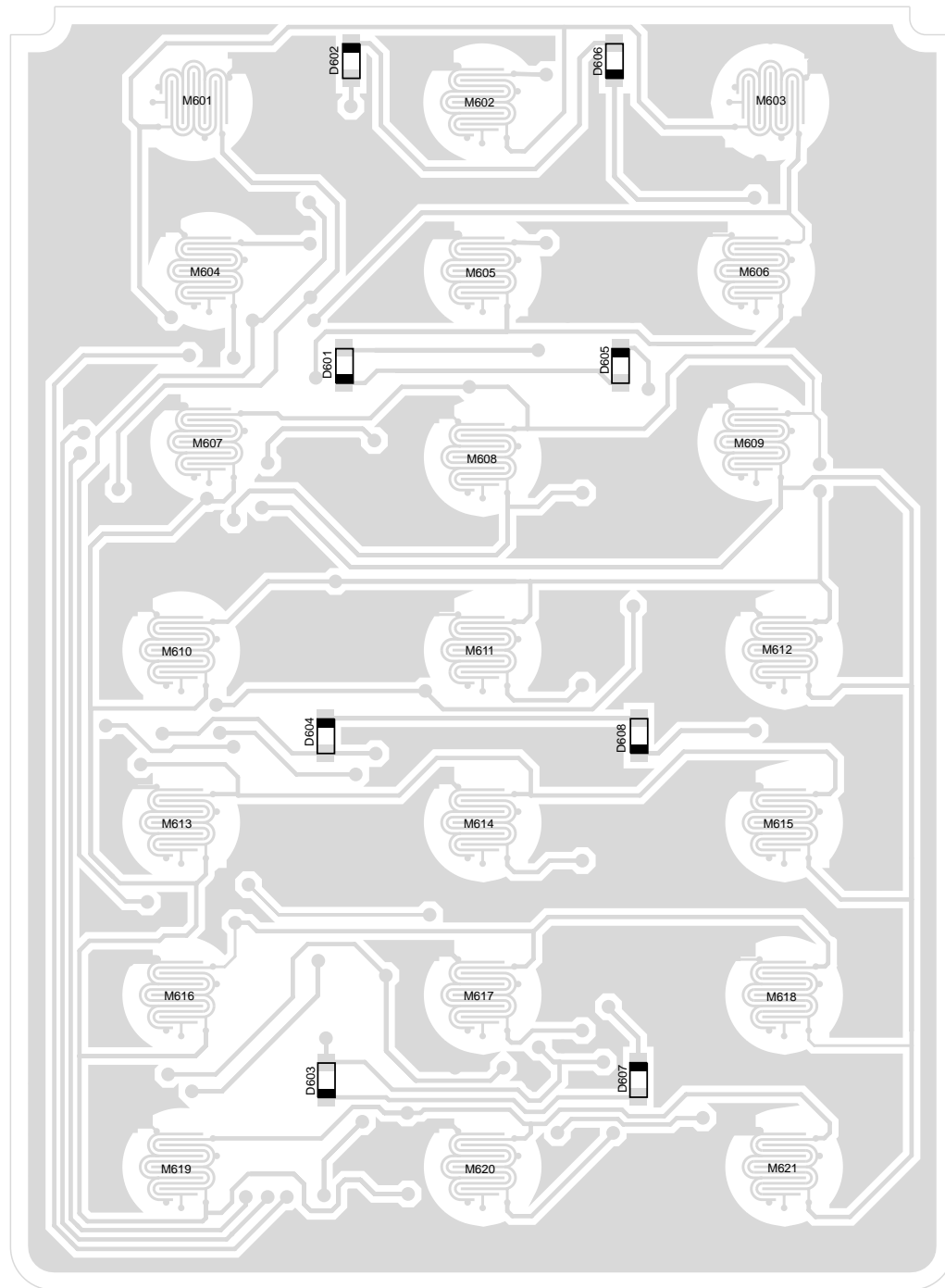
Keypad Schematic Diagram (PCB No. 8480574Z06)

## 3.2 PCB 8480574Z06 - Parts List

Circuit Ref	Motorola Part No.	Description
C610	2113743N50	100 PF 5% COG
C611	2113743N50	100 PF 5% COG
C612	2113743N50	100 PF 5% COG
C613	2113743N50	100 PF 5% COG
C615	2113743N50	100 PF 5% COG
C616	2113743N50	100 PF 5% COG
C618	2113743N50	100 PF 5% COG
C619	2113743N50	100 PF 5% COG
C620	2113743N50	100 PF 5% COG
C621	2113743N50	100 PF 5% COG
C622	2113743N50	100 PF 5% COG
C630	2113743N43	51.0 PF 5% COG
C631	2113743N50	100 PF 5% COG
C632	2113743N43	51.0 PF 5% COG
C633	2113743N50	100 PF 5% COG
C634	2113743N43	51.0 PF 5% COG
C635	2113743N50	100 PF 5% COG
C636	2113743N43	51.0 PF 5% COG
C637	2113743N50	100 PF 5% COG
C638	2113743N43	51.0 PF 5% COG
C639	2113743N50	100 PF 5% COG
C640	2113743N43	51.0 PF 5% COG
C641	2113743N50	100 PF 5% COG
C642	2113743N43	51.0 PF 5% COG
C643	2113743N50	100 PF 5% COG
C644	2113743N43	51.0 PF 5% COG
C645	2113743N50	100 PF 5% COG
C646	2113743N50	100 PF 5% COG
C647	2113743N43	51.0 PF 5% COG
D601	4880479U01	LED
D602	4880479U01	LED
D603	4880479U01	LED
D604	4880479U01	LED
D605	4880479U01	LED
D606	4880479U01	LED
E634	2480640Z01	C/IND BK1005HM471 BEAD
E637	2480640Z01	C/IND BK1005HM471 BEAD
E638	2480640Z01	C/IND BK1005HM471 BEAD
E639	2480640Z01	C/IND BK1005HM471 BEAD
E640	2480640Z01	C/IND BK1005HM471 BEAD
E641	2480640Z01	C/IND BK1005HM471 BEAD
E642	2480640Z01	C/IND BK1005HM471 BEAD
E643	2480640Z01	C/IND BK1005HM471 BEAD
E644	2480640Z01	C/IND BK1005HM471 BEAD
E645	2480640Z01	C/IND BK1005HM471 BEAD
J601	0980521Z01	ZIF VERTICAL,40 PIN
J602	0905505Y03	ZIF HORIZONTAL
Q601	4805128M67	SOT STR RH LOW PROFILE MMBT

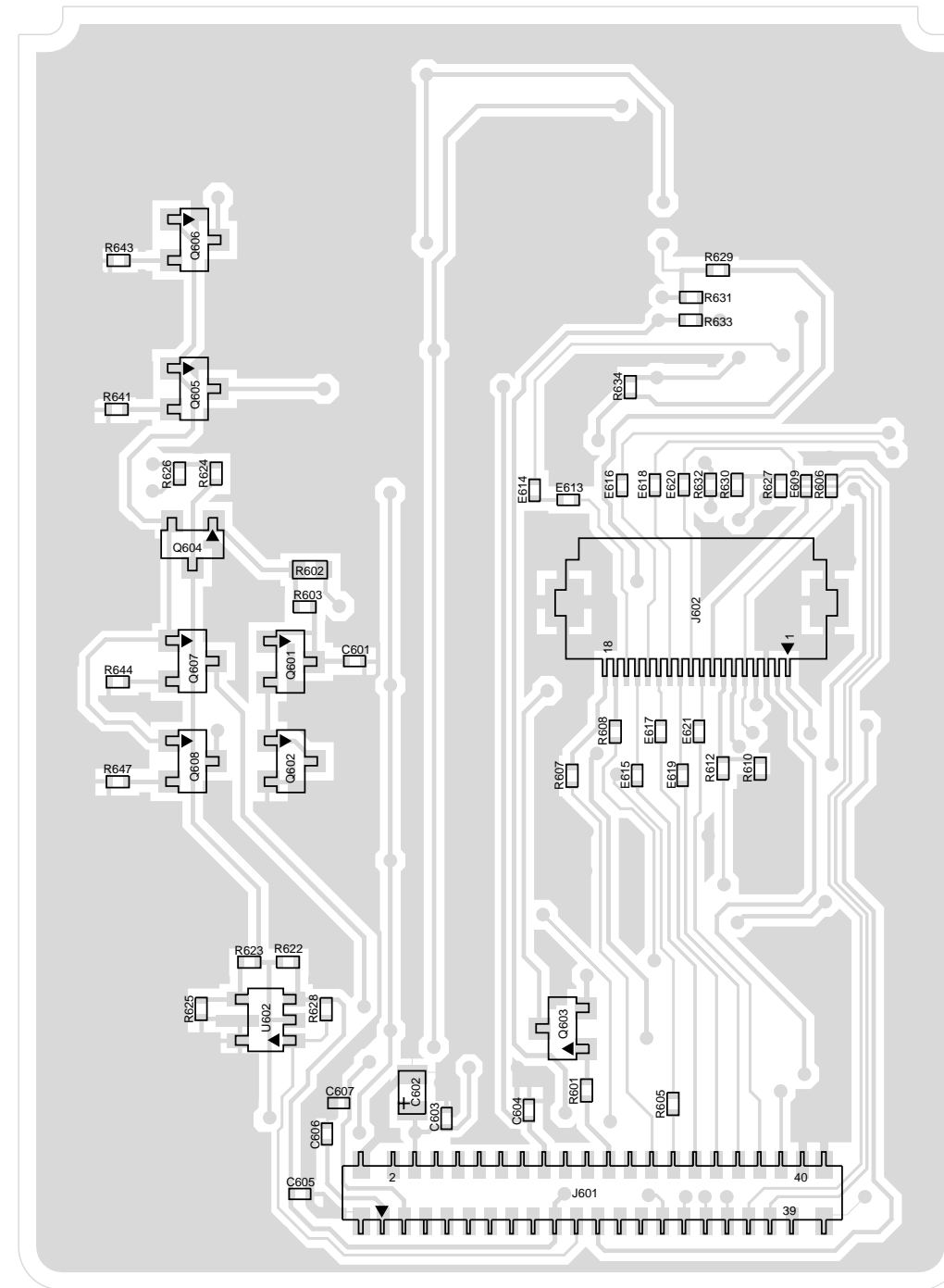
Circuit Ref	Motorola Part No.	Description
Q602	4880214G02	TSTR MMBT3904
Q603	4880214G02	TSTR MMBT3904
R601	0662057V20	51K 1% 1/16W
R602	0662057V20	51K 1% 1/16W
R603	0662057V05	13K 1% 1/16W
R604	0662057V11	22K 1% 1/16W
R605	0662057V18	43K 1% 1/16W
R606	0662057V30	130K 1% 1/16W
R607	0662057V05	13K 1% 1/16W
R608	0662057V11	22K 1% 1/16W
R609	0662057V18	43K 1% 1/16W
R610	0662057V30	130K 1% 1/16W
R611	0662057N16	51K 5% 20X40
R612	0662057N41	560K 5% 20X40
R613	0662057N47	1.0 MEG 5% 20X40
R614	0662057M01	0 5% 20X40
R617	0662057M01	0 5% 20X40
R618	0662057M74	1000 5% 20X40
R619	0662057M74	1000 5% 20X40
R620	0662057M74	1000 5% 20X40
R621	0662057M74	1000 5% 20X40
R622	0662057M74	1000 5% 20X40
R623	0662057M74	1000 5% 20X40
R626	0662057M01	0 5% 20X40
R627	0662057M01	0 5% 20X40
R631	0662057M01	0 5% 20X40
R632	0662057N23	100K 5% 20X40
R633	0662057N23	100K 5% 20X40
R646	0662057N23	100K 5% 20X40
R647	0662057M85	3000 5% 20X40
R648	0662057N23	100K 5% 20X40
R649	0662057N15	47K 5% 20X40
U602	5102463J49	COMPARATOR CMOS LM7211
	8480574Z06	BOARD, P.C. KEYPAD

3.3 PCB 8480682Z04 - Diagrams



Top View

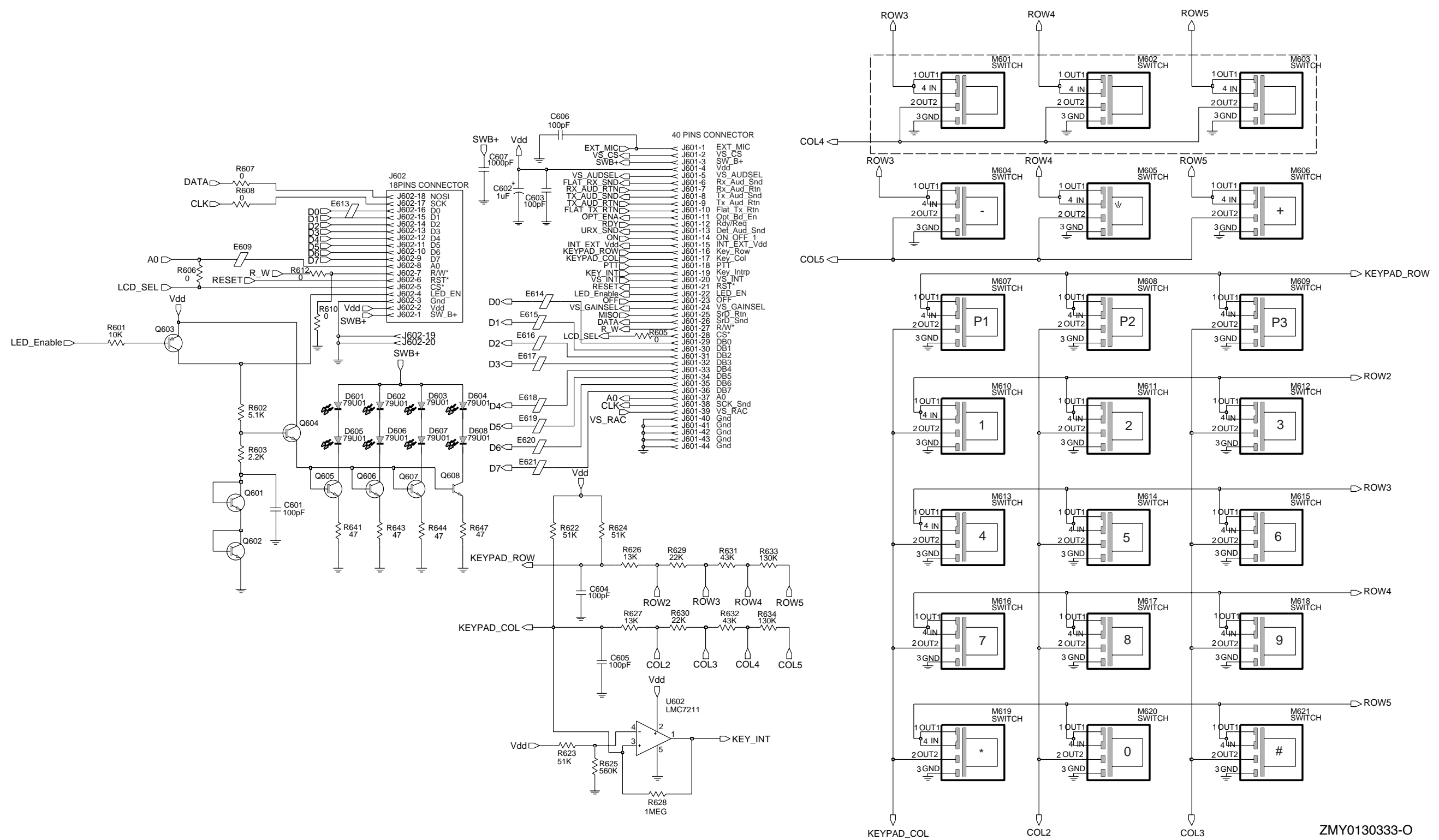
ZMY0130334-O



Bottom View

ZMY0130335-O

Keypad Board (PCB No. 8480682Z04)



Keypad Schematic Diagram (PCB No. 8480682Z04)

## 3.4 PCB 8480682Z04 - Parts List

Circuit Ref	Motorola Part No.	Description
C601	2113743N50	100 PF 5%
C602	2311049A86	1UF 20% 10V
C603	2113743N50	100 PF 5%
C604	2113743N50	100 PF 5%
C605	2113743N50	100 PF 5%
C606	2113743N50	100 PF 5%
C607	2113743L17	1000 PF 10%
C608	2113743N50	100 PF 5%
C609	2113743N50	100 PF 5%
C610	2113743N50	100 PF 5%
C611	2113743N50	100 PF 5%
C612	2113743N50	100 PF 5%
C613	2113743N50	100 PF 5%
D601	4880479U01	LED
D602	4880479U01	LED
D603	4880479U01	LED
D604	4880479U01	LED
D605	4880479U01	LED
D606	4880479U01	LED
D607	4880479U01	LED
D608	4880479U01	LED
E609	2480640Z01	C/IND BK1005HM471 BEAD
E613	2480640Z01	C/IND BK1005HM471 BEAD
E614	2480640Z01	C/IND BK1005HM471 BEAD
E615	2480640Z01	C/IND BK1005HM471 BEAD
E616	2480640Z01	C/IND BK1005HM471 BEAD
E617	2480640Z01	C/IND BK1005HM471 BEAD
E618	2480640Z01	C/IND BK1005HM471 BEAD
E619	2480640Z01	C/IND BK1005HM471 BEAD
E620	2480640Z01	C/IND BK1005HM471 BEAD
E621	2480640Z01	C/IND BK1005HM471 BEAD
J601	0980521Z01	ZIF VERTICAL,40 PIN
J602	0905505Y03	ZIF HORIZONTAL
Q601	4813824A10	NPN 40V .2A GEN PURP
Q602	4813824A10	NPN 40V .2A GEN PURP
Q603	4813824A17	PNP40V .2A GENPB=100-300
Q604	4813824A10	NPN 40V .2A GEN PURP
Q605	4813824A10	NPN 40V .2A GEN PURP
Q606	4813824A10	NPN 40V .2A GEN PURP
Q607	4813824A10	NPN 40V .2A GEN PURP
Q608	4813824A10	NPN 40V .2A GEN PURP
R601	0662057M98	10K 5% 20X40
R602	0662057A66	5100 5 1/8
R603	0662057M82	2200 5% 20X40
R605	0662057M01	0 5% 20X40
R610	0662057M01	0 5% 20X40
R622	0662057V20	51K 1% 1/16W
R623	0662057N16	51K 5% 20X40

Circuit Ref	Motorola Part No.	Description
R624	0662057V20	51K 1% 1/16W
R625	0662057N41	560K 5% 20X40
R626	0662057V05	13K 1% 1/16W
R627	0662057V05	13K 1% 1/16W
R628	0662057N47	1.0 MEG 5% 20X40
R629	0662057V11	22K 1% 1/16W
R630	0662057V11	22K 1% 1/16W
R631	0662057V18	43K 1% 1/16W
R632	0662057V18	43K 1% 1/16W
R633	0662057V30	130K 1% 1/16W
R634	0662057V30	130K 1% 1/16W
R641	0662057M42	47 5% 20X40
R643	0662057M42	47 5% 20X40
R644	0662057M42	47 5% 20X40
R647	0662057M42	47 5% 20X40
U602	5102463J49	COMPARATOR CMOS LM7211
	8480682Z04	PCB, KEYPAD