

Professional Digital Two-Way Radio System

# MOTOTRBO™ DP 3400 / DP 3401 Non-Display Portable

User Guide



# Contents

This User Guide contains all the information you need to use the MOTOTRBO Series Portables.

- Important Safety Information** ..... iii
  - Product Safety and RF Exposure Compliance ..... iii
- Computer Software Copyrights** ..... iv
- Getting Started** ..... 1
  - How to Use This Guide ..... 1
  - What Your Dealer/System Administrator Can Tell You ..... 1
- Preparing Your Radio for Use** ..... 2
  - Charging the Battery ..... 2
  - Attaching the Battery ..... 2
  - Attaching the Antenna ..... 3
  - Attaching the Belt Clip ..... 3
  - Attaching the Universal Connector Cover ..... 3
  - Powering Up the Radio ..... 4
  - Adjusting the Volume ..... 4
- Identifying Radio Controls** ..... 5
  - Radio Controls You Will Be Using ..... 5

- Programmable Buttons ..... 6
  - Assignable Radio Functions ..... 6
  - Assignable Settings or Utility Functions ..... 6
- Push-To-Talk (PTT) Button ..... 7
- Switching Between Analog and Digital Mode ..... 7
- Identifying Status Indicators** ..... 8
  - LED Indicator ..... 8
  - Audio Tones ..... 8
  - Indicator Tones ..... 9
- Receiving and Making Calls** ..... 9
  - Selecting a Zone ..... 10
  - Selecting a Radio Channel, Subscriber ID, or Group ID ..... 10
  - Receiving and Responding to a Radio Call ..... 10
    - Receiving and Responding to a Group Call ..... 11
    - Receiving and Responding to a Private Call ..... 11
    - Receiving an All Call ..... 12
  - Making a Voice Call ..... 12
    - Making a Voice Call with the Channel Selector Knob ..... 12
      - Making a Group Call ..... 12
      - Making a Private Call ..... 13
      - Making an All Call ..... 13

Making a Group or Private Call with the One Touch Call Button .....	14	Reinitiating an Emergency Mode .....	21
Talkaround .....	14	Exiting an Emergency Mode .....	21
Monitoring Features .....	15	Text Messaging Features .....	21
Monitoring a Channel .....	15	Sending a Quick Text Message .....	21
Permanent Monitor .....	15	Utilities .....	22
<b>Advanced Features .....</b>	<b>16</b>	Setting the Squelch Level .....	22
Scan Lists .....	16	Setting the Power Level .....	22
Scan .....	16	Turning Radio Tones/Alerts On or Off .....	23
Starting and Stopping Scan .....	16	Checking the Battery Strength .....	23
Responding to a Transmission During a Scan ..	17		
Deleting a Nuisance Channel .....	17		
Restoring a Nuisance Channel .....	17		
Call Indicator Settings .....	18		
Escalating Alarm Tone Volume .....	18		
Call Alert Operation .....	18		
Receiving and Acknowledging a Call Alert .....	18		
Making a Call Alert with the One Touch Call Button .....	18		
Emergency Operation .....	19		
Sending an Emergency Alarm .....	19		
Sending an Emergency Alarm with Call .....	20		
Sending an Emergency Alarm with Voice to Follow .....	20		

## Important Safety Information

### Product Safety and RF Exposure Compliance



Caution

Before using this product, read the operating instructions for safe usage contained in the Product Safety and RF Exposure booklet enclosed with your radio.

### ATTENTION!

**This radio is restricted to occupational use only to satisfy FCC RF energy exposure requirements.** Before using this product, read the RF energy awareness information and operating instructions in the Product Safety and RF Exposure booklet enclosed with your radio (Motorola Publication part number 6864117B25) to ensure compliance with RF energy exposure limits.

For a list of Motorola-approved antennas, batteries, and other accessories, visit the following website:

<http://www.motorola.com/governmentandenterprise>

## Computer Software Copyrights

The Motorola products described in this manual may include copyrighted Motorola computer programs stored in semiconductor memories or other media. Laws in the United States and other countries preserve for Motorola certain exclusive rights for copyrighted computer programs including, but not limited to, the exclusive right to copy or reproduce in any form the copyrighted computer program. Accordingly, any copyrighted Motorola computer programs contained in the Motorola products described in this manual may not be copied, reproduced, modified, reverse-engineered, or distributed in any manner without the express written permission of Motorola. Furthermore, the purchase of Motorola products shall not be deemed to grant either directly or by implication, estoppel, or otherwise, any license under the copyrights, patents or patent applications of Motorola, except for the normal non-exclusive license to use that arises by operation of law in the sale of a product.

The AMBE+2™ voice coding Technology embodied in this product is protected by intellectual property rights including patent rights, copyrights and trade secrets of Digital Voice Systems, Inc.

This voice coding Technology is licensed solely for use within this Communications Equipment. The user of this Technology is explicitly prohibited from attempting to decompile, reverse engineer, or disassemble the Object Code, or in any other way convert the Object Code into a human-readable form.

U.S. Pat. Nos. #5,870,405, #5,826,222, #5,754,974, #5,701,390, #5,715,365, #5,649,050, #5,630,011, #5,581,656, #5,517,511, #5,491,772, #5,247,579, #5,226,084 and #5,195,166.

---

## Getting Started

Take a moment to review the following:

How to Use This Guide . . . . . page 1

What Your Dealer/System Administrator Can Tell You . page 1

### ■ How to Use This Guide

---

This User Guide covers the basic operation of the MOTOTRBO Non-Display Portables.

However, your dealer or system administrator may have customized your radio for your specific needs. Check with your dealer or system administrator for more information.

Throughout this publication, two icons are used to differentiate Analog mode and Digital mode only features:



Indicates an Analog mode only feature.



Indicates a Digital mode only feature.

For features that are available in both Analog and Digital modes, no icon is shown.

### ■ What Your Dealer/System Administrator Can Tell You

---

You can consult your dealer or system administrator about the following:

- Is your radio programmed with any preset conventional channels?
- Which buttons have been programmed to access other features?
- What optional accessories may suit your needs?

## Preparing Your Radio for Use

Assemble your radio by following these steps:

Charging the Battery . . . . .	page 2
Attaching the Battery . . . . .	page 2
Attaching the Antenna . . . . .	page 3
Attaching the Belt Clip . . . . .	page 3
Attaching the Universal Connector Cover . . . . .	page 3
Powering Up the Radio . . . . .	page 4
Adjusting the Volume . . . . .	page 4

### ■ Charging the Battery

Your radio is powered by a Nickel Metal-Hydrate (NiMH) or Lithium-Ion (Li-Ion) battery. To avoid damage and comply with warranty terms, charge the battery using a Motorola charger *exactly* as described in the charger user guide.

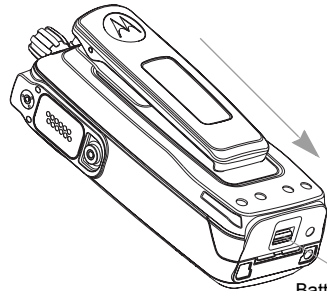
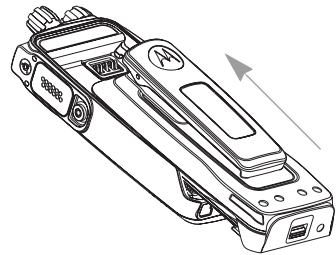
Charge a new battery 14 to 16 hours before initial use for best performance.

**IMPORTANT:** **ALWAYS** charge your IMPRES battery with the IMPRES charger. Using a conventional charger causes irrecoverable loss of IMPRES battery data. As a result, the battery functions as a non-IMPRES battery and cannot display the data on your radio. Additionally, it voids your

IMPRES battery warranty, although the standard battery warranty still applies.

### ■ Attaching the Battery

Align the battery with the rails on the back of the radio. Press the battery firmly, and slide upward until the latch snaps into place. Slide battery latch into lock position.



Battery Latch

*To remove the battery, turn the radio off. Move the battery latch into unlock position and hold, and slide the battery down and off the rails.*

## ■ Attaching the Antenna



With the radio turned off, set the antenna in its receptacle and turn clockwise.



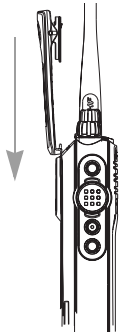
*To remove the antenna, turn the antenna counterclockwise. Make sure you turn off the radio and remove the universal connector cover first.*



**Caution**

If the antenna needs to be replaced, ensure that only MOTOTRBO antennas are used. Neglecting this will damage your radio.

## ■ Attaching the Belt Clip

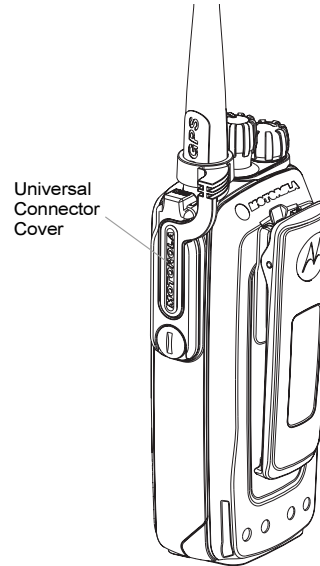


Align the grooves on the clip with those on the battery and press downward until you hear a click.

*To remove the clip, press the belt clip tab away from the battery using a key, or similar item. Then slide the clip upward and away from the radio.*

## ■ Attaching the Universal Connector Cover

The universal connector is located on the antenna side of the radio. It is used to connect MOTOTRBO accessories to the radio.



Place the universal connector cover loop over the attached antenna. Slide it all the way down to the base of the antenna.

Insert the hooked end of the cover into the slots above the universal connector. Press downward on the cover to seat the lower tab properly into the RF connector.

Turn the thumbscrew clockwise to secure the connector cover to the radio.

*To remove the universal connector cover, press down on the cover and turn the thumbscrew counterclockwise. Lift the cover up, slide the connector cover loop upwards, and remove it from the attached antenna.*

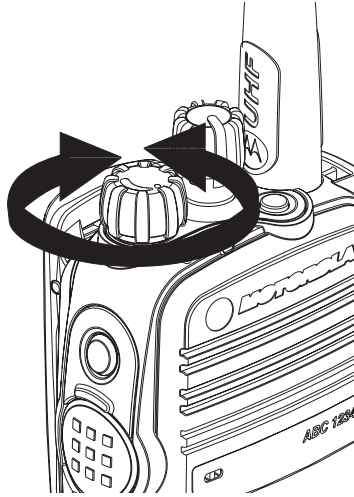


## ■ Powering Up the Radio

Rotate the **On/Off/Volume Control Knob** clockwise until you hear a click. The LED blinks green.

A brief tone sounds, indicating that the power up test is successful.

**NOTE:** There is no power up tone if the radio tones/alerts function is disabled (see **Turning Radio Tones/Alerts On or Off** on page 23).



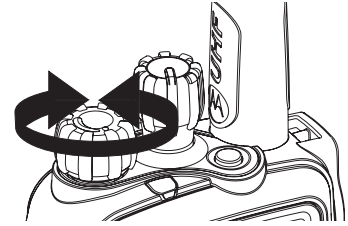
If your radio does not power up, check your battery. Make sure that it is charged and properly attached. If your radio still does not power up, contact your dealer.

*To turn off the radio, rotate this knob counterclockwise until you hear a click.*

## ■ Adjusting the Volume

To increase the volume, turn the **On/Off/Volume Control Knob** clockwise.

*To decrease the volume, turn this knob counterclockwise.*

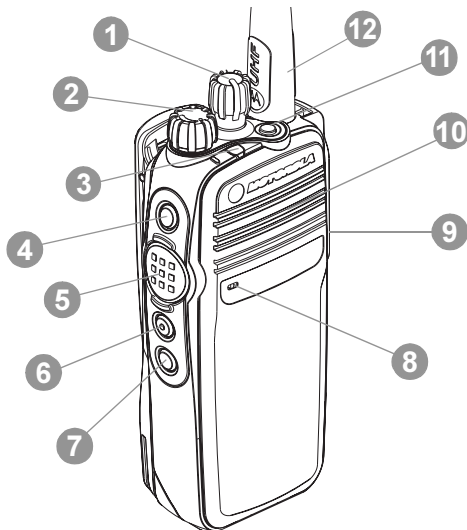


## Identifying Radio Controls

Take a moment to review the following:

Radio Controls You Will Be Using . . . . .	page 5
Programmable Buttons . . . . .	page 6
Push-To-Talk (PTT) Button . . . . .	page 7
Switching Between Analog and Digital Mode . . . . .	page 7

### ■ Radio Controls You Will Be Using



- 1 Channel Selector Knob
- 2 On/Off/Volume Control Knob
- 3 LED Indicator
- 4 Side Button 1\*
- 5 Push-to-Talk (PTT) Button
- 6 Side Button 2\*
- 7 Side Button 3\*
- 8 Microphone
- 9 Universal Connector for Accessories
- 10 Speaker
- 11 Emergency Button\*
- 12 Antenna

\* These buttons are programmable.

## ■ Programmable Buttons

---

Your dealer can program the programmable buttons as shortcuts to radio functions or preset channels/groups depending on the duration of a button press:


- Press – Pressing and releasing rapidly.
- Long press – Pressing and holding for the preprogrammed duration (between 0.25 seconds and 3.75 seconds).
- Hold down – Keeping the button pressed.

### Assignable Radio Functions

**Emergency** – Depending on the programming, initiates or cancels an emergency alarm or call.

**Monitor** – Monitors a selected channel for activity.


**Nuisance Channel Delete** – Temporarily removes an unwanted channel, except for the Selected Channel, from the scan list. The Selected Channel refers to the user's selected zone/channel combination from which scan is initiated.

**One Touch Call**  – Directly initiates a predefined Private or Group Call, a Call Alert or a Quick Text message.

**Permanent Monitor** – Monitors a selected channel for all radio traffic until function is disabled.

**Repeater/Talkaround** – Toggles between using a repeater and communicating directly with another radio.

**Scan** – Toggles scan on or off.

**Telemetry Control**  – Controls the Output Pin on a local or remote radio.


**Zone** – Allows selection from a list of zones.

**Battery Strength** – Indicates battery strength via the LED Indicator.

### Assignable Settings or Utility Functions

**All Tones/Alerts** – Toggles all tones and alerts on or off.

**Power Level** – Toggles transmit power level between high and low.

**Squelch**  – Toggles squelch level between tight and normal.

## ■ Push-To-Talk (PTT) Button


The **PTT** button on the side of the radio serves two basic purposes:

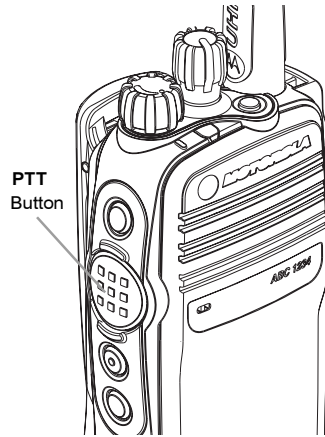
- While a call is in progress, the **PTT** button allows the radio to transmit to other radios in the call.

Press and hold down **PTT** button to talk. Release the **PTT** button to listen.

The microphone is activated when the **PTT** button is pressed.

- While a call is not in progress, the **PTT** button is used to make a new call (see **Making a Voice Call** on page 12).

 Depending on programming, if the Talk Permit Tone is enabled, wait until the short alert tone ends before talking.



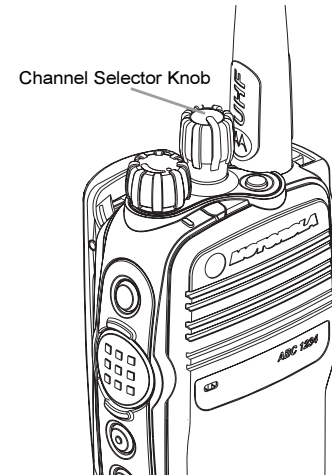
## ■ Switching Between Analog and Digital Mode

Each channel in your radio can be configured as an analog channel or a digital channel. Use the Channel Selector Knob to switch between an analog or a digital channel.

When switching from digital to analog mode, certain features are unavailable.

Your radio also has features available in both analog and digital mode. However, the minor differences in the way each feature works does **NOT** affect the performance of your radio.

**NOTE:** Your radio also switches between digital and analog modes during a dual mode scan (see **Scan** on page 16).



## Identifying Status Indicators

Your radio indicates its operational status through the following:

LED Indicator . . . . . page 8  
 Audio Tones . . . . . page 8  
 Indicator Tones . . . . . page 8

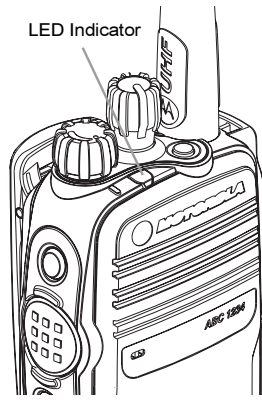
### ■ LED Indicator

The LED indicator shows the operational status of your radio.

**Blinking red** – Radio is transmitting at low battery condition, receiving an emergency transmission or has failed the self-test upon powering up.

**Solid yellow** – Radio is receiving a request for a Private Call, or monitoring a channel. Also indicates fair battery charge when the preprogrammed **Battery Strength** button is pressed.

**Blinking yellow** – Radio is scanning for activity or receiving a Call Alert.




**Solid green** – Radio is transmitting. Also indicates full charge of the battery when the preprogrammed **Battery Strength** button is pressed.


**Blinking green** – Radio is powering up or receiving a call.


### ■ Audio Tones


Alert tones provide you with audible indications of the radio's status or the radio's response to data received.

- Continuous Tone** A monotone sound. Sounds continuously until termination.


- Periodic Tone** Sounds periodically depending on the duration set by the radio. Tone starts, stops and repeats itself.


- Repetitive Tone** A single tone that repeats itself until it is terminated by the user.


- Momentary Tone** Sounds only once for a short period of time defined by the radio.



## ■ Indicator Tones

---

High pitched tone 

Low pitched tone 



Positive Indicator Tone



Negative Indicator Tone

## Receiving and Making Calls

Once you understand how your MOTOTRBO Portable is configured, you are ready to use your radio.

Use this navigation guide to familiarize yourself with the basic Call features:

Selecting a Zone .....	page 10
Selecting a Radio Channel, Subscriber ID, or Group ID .....	page 10
Receiving and Responding to a Radio Call .....	page 10
Making a Voice Call .....	page 12
Talkaround .....	page 14
Monitoring Features .....	page 15

## ■ Selecting a Zone

A zone is a group of channels. Your radio supports up to a maximum of 2 zones.

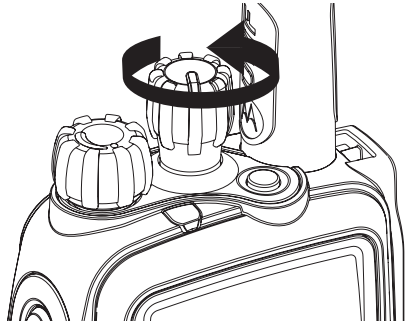
### Procedure:

- 1 Press the preprogrammed **Zone** button.
- 2 You hear a positive indicator tone, indicating the radio has switched from Zone 1 to Zone 2.  
**OR**  
You hear a negative indicator tone, indicating the radio has switched from Zone 2 to Zone 1.

## ■ Selecting a Radio Channel, Subscriber ID, or Group ID

### Procedure:

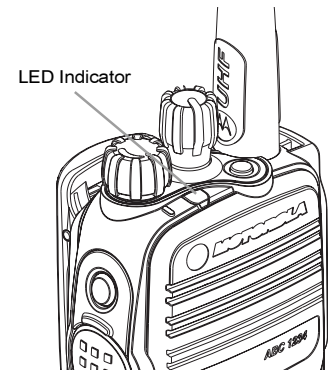
Once the required zone is set (if you have multiple zones in your radio), turn the Channel Selector Knob to select the number that represents the channel, subscriber ID, or group ID.



## ■ Receiving and Responding to a Radio Call

Once the channel, subscriber ID, or group ID is set, you can proceed to receive and respond to calls.

*The LED lights up solid green while the radio is transmitting and blinks when the radio is receiving.*



## Receiving and Responding to a Group Call

To receive a call from a group of users, your radio must be configured as part of that group.

- 1 The LED blinks green.

---

- 2 Hold the radio vertically 2.5 to 5.0 cm (1 to 2 inches) from your mouth.

---

- 3 Press the **PTT** button to respond to the call. The LED lights up solid green.

---

- 4 Wait for the Talk Permit Tone to finish (if enabled) and speak clearly into the microphone.

---

- 5 Release the **PTT** button to listen.

---

- 6 If there is no voice activity for a predetermined period of time, the call ends.

---

See **Making a Group Call** on page 12 for details on making a Group Call.

## Receiving and Responding to a Private Call

A Private Call is a call from an individual radio to another individual radio.

There are two types of Private Calls. The first type, where a radio presence check is performed prior to setting up the call, while the other sets up the call immediately.

When your radio is checked, the LED lights up solid yellow momentarily. Only one of these call types can be programmed to your radio by your dealer.

### Procedure:

When you receive a private call:

- 1 Depending on how your radio is programmed:  
The LED lights up solid yellow momentarily. Then, the LED blinks green.  
**OR**  
The LED blinks green.

---

- 2 Hold the radio vertically 2.5 to 5.0 cm (1 to 2 inches) from your mouth.

---

- 3 Press the **PTT** button to respond to the call. The LED lights up solid green.

---

- 4 Wait for the Talk Permit Tone to finish (if enabled) and speak clearly into the microphone.

---

- 5 Release the **PTT** button to listen.

---



- 6 If there is no voice activity for a predetermined period of time, the call ends.
- 7 You hear a short tone.

See **Making a Private Call** on page 13 for details on making a Private Call.

### Receiving an All Call

An All Call is a call from an individual radio to every radio on the channel. It is used to make important announcements requiring the user's full attention.

#### Procedure:

When you receive an All Call:


- 1 A tone sounds and the LED blinks green.
- 2 If there is no voice activity for a predetermined period of time, the All Call ends.

*You cannot respond to an All Call.*

**NOTE:** The radio stops receiving the All Call if you switch to a different channel while receiving the call. During an All Call, you will **not** be able to use any preprogrammed button functions until the call ends.

## ■ Making a Voice Call

You can select a channel, subscriber ID or group ID by using:

- the Channel Selector Knob
- a preprogrammed **One Touch Call** button 

### Making a Voice Call with the Channel Selector Knob

### Making a Group Call

To make a call to a group of users, your radio must be configured as part of that group.

#### Procedure:

- 1 Turn the Channel Selector Knob to select the channel with the active group ID.
- 2 Hold the radio vertically 2.5 to 5.0 cm (1 to 2 inches) from your mouth.
- 3 Press the **PTT** button to make the call. The LED lights up solid green.
- 4 Wait for the Talk Permit Tone to finish (if enabled) and speak clearly into the microphone.
- 5 Release the **PTT** button to listen. When the target radio responds, the LED blinks green.

- 6 If there is no voice activity for a predetermined period of time, the call ends.
- 

### **Making a Private Call**

#### **Procedure:**

- 1 Turn the Channel Selector Knob to select the channel with the active subscriber ID.

---

- 2 Hold the radio vertically 2.5 to 5.0 cm (1 to 2 inches) from your mouth.

---

- 3 Press the **PTT** button to make the call. The LED lights up solid green.

---

- 4 Wait for the Talk Permit Tone to finish (if enabled) and speak clearly into the microphone.

---

- 5 Release the **PTT** button to listen. When the target radio responds, the LED blinks green.

---

- 6 If there is no voice activity for a predetermined period of time, the call ends.

---

- 7 You hear a short tone.

---

### **Making an All Call**

This feature allows you to transmit to all users on the channel. Your radio must be programmed to allow you to use this feature.

#### **Procedure:**

- 1 Turn the Channel Selector Knob to select the channel with the active All Call group ID.

---

- 2 Hold the radio vertically 2.5 to 5.0 cm (1 to 2 inches) from your mouth.

---

- 3 Press the **PTT** button to make the call. The LED lights up solid green.

---

- 4 Wait for the Talk Permit Tone to finish (if enabled) and speak clearly into the microphone.

---

*Users on the channel cannot respond to an All Call.*

## Making a Group or Private Call with the One Touch Call Button

The One Touch Call feature allows you to make a Group or Private Call to a predefined ID easily. This feature can be assigned to a short or long programmable button press.

You can **ONLY** have one ID assigned to a **One Touch Call** button. Your radio can have multiple **One Touch Call** buttons programmed.

### Procedure:

- 1 Press the preprogrammed **One Touch Call** button to make a Group or Private Call to the predefined ID.
- 2 Hold the radio vertically 2.5 to 5.0 cm (1 to 2 inches) from your mouth.
- 3 Press the **PTT** button to make the call. The LED lights up solid green.
- 4 Wait for the Talk Permit Tone to finish (if enabled) and speak clearly into the microphone.
- 5 Release the **PTT** button to listen. When the target radio responds, the LED blinks green.
- 6 If there is no voice activity for a predetermined period of time, the call ends.

*For a Private Call, you hear a short tone when the call ends.*

## ■ Talkaround

---

You can continue to communicate when your repeater is not operating, or when your radio is out of the repeater's range but within talking range of other radios. This is called "talkaround".

### Procedure:

- 1 Press the preprogrammed **Repeater/Talkaround** button.
- 2 You hear a positive indicator tone, indicating the radio is in Talkaround mode.  
**OR**  
You hear a negative indicator tone, indicating the radio is in Repeater mode.

*The Talkaround setting is retained even after powering down.*

## ■ Monitoring Features

---

### Monitoring a Channel

Use the Monitor feature to make sure a channel is free before transmitting.

#### **Procedure:**

- 1 Press and hold the preprogrammed **Monitor** button and listen for activity.
- 2 You hear radio activity or total silence, depending on how your radio is programmed.
- 3 When you hear “white noise” (that is, the channel is free), press the **PTT** button to talk and release it to listen. The LED lights up solid yellow.

### Permanent Monitor

Use the Permanent Monitor feature to continuously monitor a selected channel for activity.

#### **Procedure:**

- 1 Press the preprogrammed **Permanent Monitor** button.
- 2 Radio sounds alert tone, and the LED lights up solid yellow.
- 3 Press the preprogrammed **Permanent Monitor** button to remove the radio from permanent monitor mode.
- 4 Radio sounds an alert tone and the LED turns off,

## Advanced Features

Use this navigation guide to learn more about advanced features available with your portable:

Scan Lists .....	page 16
Scan .....	page 16
Call Indicator Settings .....	page 18
Call Alert Operation .....	page 18
Emergency Operation .....	page 19
Text Messaging Features .....	page 21
Utilities .....	page 22

### ■ Scan Lists

Scan lists are created and assigned to individual channels/groups. Your radio scans for voice activity by cycling through the channel/group sequence specified in the scan list for the current channel.

Your radio supports up to 32 scan lists, with a maximum of 16 members in a list. Each scan list shall support a mixture of both analog and digital entries.

### ■ Scan

When you start a scan, your radio cycles through the preprogrammed scan list for the current channel looking for voice activity.

The LED blinks yellow.

During a dual mode scan, if you are on a digital channel, and your radio locks onto an analog channel, it automatically switches from digital mode to analog mode for the duration of the call. This is also true for the reverse.

There are two types of scans:

- **Main Channel Scan (Manual):** Your radio scans all the channels/groups in your scan list. On entering scan, your radio may – depending on the settings – automatically start on the last scanned “active” channel/group or on the channel where scan was initiated.
- **Auto Scan (Automatic):** Your radio automatically starts scanning when you select a channel/group that has Auto Scan enabled.

#### Starting and Stopping Scan

**Procedure:**

- 1 Press the preprogrammed **Scan** button.

**OR**

Use the Channel Selector Knob to select a channel with Auto Scan enabled.

- 2 When Scan is enabled, the LED blinks yellow and you hear a positive indicator tone.

**OR**

When Scan is disabled, the LED turns off and you hear a negative indicator tone.

---

### Responding to a Transmission During a Scan

During scanning, your radio stops on a channel/group where activity is detected. The radio stays on that channel for a preprogrammed time period known as “hang time”.

#### **Procedure:**

- 1 Hold the radio vertically 2.5 to 5.0 cm (1 to 2 inches) from your mouth.

---

- 2 Press the **PTT** button during hang time. The LED lights up solid green.

---

- 3 Wait for the Talk Permit Tone to finish (if enabled) and speak clearly into the microphone.

---

- 4 Release the **PTT** button to listen.

---

- 5 If you do not respond within the hang time, the radio returns to scanning other channels/groups.

---

### Deleting a Nuisance Channel

If a channel continually generates unwanted calls or noise (termed a “nuisance” channel), you can temporarily remove the unwanted channel from the scan list.

This capability does not apply to the channel designated as the Selected Channel.

#### **Procedure:**

- 1 When your radio “locks on to” an unwanted or nuisance channel, press the preprogrammed **Nuisance Channel Delete** button until you hear a tone.

---

- 2 Release the **Nuisance Channel Delete** button. The nuisance channel is deleted.

---

### Restoring a Nuisance Channel

#### **Procedure:**

To restore the deleted nuisance channel, do **one** of the following:

- Power the radio off and powering it on again, **OR**
- Stop and restart a scan via the preprogrammed **Scan** button, **OR**
- Change the channel via the Channel Selector Knob.

## ■ Call Indicator Settings

---

You can turn on or off the ringing tones for a received Private Call (see *Turning Radio Tones/Alerts On or Off* on page 23).

### Escalating Alarm Tone Volume

Your radio can be preprogrammed by your dealer to continually alert you when a radio call remains unanswered. This is done by automatically increasing the alarm tone volume over time.

This feature is known as Escalert.

## ■ Call Alert Operation

---

Call Alert paging enables you to alert a specific radio user to call you back when they are able to do so. This feature is accessible via a preprogrammed **One Touch Call** button.

### Receiving and Acknowledging a Call Alert

#### Procedure:

When you receive a Call Alert page:

- 1 You hear a repetitive tone. The LED blinks yellow.
- 2 Press and release the **PTT** button to acknowledge the alert.

### Making a Call Alert with the One Touch Call Button

#### Procedure:


- 1 Press the preprogrammed **One Touch Call** button to make a Call Alert to the predefined ID.
- 2 The LED lights up solid green when your radio is sending the Call Alert.
- 3 If the Call Alert acknowledgement is received, two chirps sounds.  
**OR**  
If the Call Alert acknowledgement is not received, a low-pitch tone sounds.

## ■ Emergency Operation

---

An Emergency Alarm is used to indicate a critical situation. You are able to initiate an Emergency at any time, in any state, even when there is activity on the current channel.

Your radio supports 3 Emergency Alarms:

- Emergency Alarm
- Emergency Alarm with Call
- Emergency Alarm with Voice to Follow 

In addition, each alarm has the following types:

- Regular – Radio transmits an alarm signal and shows audio and/or visual indicators.
- Silent – Radio transmits an alarm signal without any audio or visual indicators.

Only **one** of the Emergency Alarms above can be assigned to the preprogrammed **Emergency** button.

## Sending an Emergency Alarm

This feature allows you to send an Emergency Alarm, a non-voice signal, which triggers an alert indication on another radio.

### Procedure:

- 1 Press the preprogrammed **Emergency** button.
- 2 The LED lights up solid green.
- 3 When an Emergency Alarm acknowledgment is received, the Emergency tone sounds. The LED blinks green.  
**OR**  
If your radio does not receive an Emergency Alarm acknowledgement, and after all retries have been exhausted, a low-pitch tone sounds.
- 4 Radio exits the Emergency Alarm mode.



## Sending an Emergency Alarm with Call

This feature allows you send an Emergency Alarm to another radio. Upon acknowledgement, both radios can communicate over a preprogrammed Emergency channel.

### Procedure:

- 1 Press the preprogrammed **Emergency** button.
- 2 The LED lights up solid green.
- 3 When an Emergency Alarm acknowledgment is received, the Emergency tone sounds. The LED blinks green.
- 4 Hold the radio vertically 2.5 to 5.0 cm (1 to 2 inches) from your mouth.
- 5 Press the **PTT** button to make the call. The LED lights up solid green.
- 6 Wait for the Talk Permit Tone to finish (if enabled) and speak clearly into the microphone.
- 7 Long press the preprogrammed **Emergency** button to exit the Emergency mode.

## Sending an Emergency Alarm with Voice to Follow

This feature allows you to send an Emergency Alarm to another radio. Upon acknowledgement, your radio's microphone is automatically activated, allowing you to communicate with the other radio without pressing the **PTT**.

This activated microphone state is also known as "hot mic".

If you press the **PTT** button during the preprogrammed hot mic transmission period, the radio ignores the **PTT** press and remains in Emergency mode.

**NOTE:** If you press the **PTT** button during hot mic, and continue to press it after the hot mic duration expires, the radio continues to transmit until you release the **PTT** button.

### Procedure:

- 1 Press the preprogrammed **Emergency** button.
- 2 The LED lights up solid green.
- 3 Once a tone sounds, speak clearly into the microphone. When hot mic has been enabled, the radio automatically transmits without a **PTT** press until the hot mic duration expires.
- 4 While transmitting, the LED lights up solid green.

- 5 Once the hot mic duration expires, the radio automatically stops transmitting. To transmit again, press the **PTT** button.

### Reinitiating an Emergency Mode

There are two instances where this can happen:

- You change the channel while the radio is in Emergency mode. This exits the Emergency mode. If Emergency Alarm is enabled on this new channel, the radio reinitiates Emergency.
- You press the preprogrammed **Emergency** button during an Emergency initiation/transmission state. This causes the radio to exit this state, and to reinitiate Emergency.

### Exiting an Emergency Mode

Your radio exits Emergency mode when **one** of the following occurs:

- Emergency Alarm acknowledgement is received (for **Emergency Alarm** only), **OR**
- All retries to send the alarm have been exhausted, **OR**
- The preprogrammed **Emergency** button is long pressed (not applicable for **Emergency Alarm with Voice to Follow**).

**NOTE:** If your radio is powered off, it exits the Emergency mode. The radio will not reinitiate the Emergency mode automatically when it is turned on again.

## ■ Text Messaging Features

### Sending a Quick Text Message

You can send Quick Text messages, preprogrammed by your dealer, via the programmable button.

#### Procedure:

- 1 Press the preprogrammed **One Touch Call** button to send a predefined Quick Text message to a predefined ID.
- 2 The LED lights up solid green.
- 3 Two chirps indicate that the message is sent successfully.  
**OR**  
A low-pitch tone indicates that the message cannot be sent.

*Only applicable when sending to subscriber IDs:*

*You hear two chirps if the target radio successfully receives the Quick Text message.*

*OR*

*You hear a low-pitch tone if the target radio fails to receive the Quick Text message.*

## ■ Utilities

---

### 📄 Setting the Squelch Level

You can adjust your radio's squelch level to filter out unwanted calls with low signal strength or channels that have a higher than normal background noise.

**Settings:** **Normal** is the default. **Tight** filters out (unwanted) calls and/or background noise. However, calls from remote locations may also be filtered out.

#### Procedure:

- 1 Press the preprogrammed **Squelch** button.

---

  - 2 You hear a positive indicator tone, indicating the radio is operating in tight squelch.  
**OR**  
You hear a negative indicator tone, indicating the radio is operating in normal squelch.
- 

### 📄 Setting the Power Level

You can toggle your radio's power setting between high or low for each channel.

**Settings:** **High** enables communication with radios located at a considerable distance from you. **Low** enables communication with radios in closer proximity.

#### Procedure:

- 1 Press the preprogrammed **Power Level** button.

---

  - 2 You hear a positive indicator tone, indicating the radio is transmitting at low power.  
**OR**  
You hear a negative indicator tone, indicating the radio is transmitting at high power.
-

## Turning Radio Tones/Alerts On or Off

You can enable and disable all radio tones and alerts (except for the incoming Emergency alert tone) if needed.

### Procedure:

- 1 Press the preprogrammed **All Tones/Alerts** button.
- 2 You hear a positive indicator tone, indicating all tones and alerts are on.  
**OR**  
You hear a negative indicator tone, indicating all tones and alerts are off.

## Checking the Battery Strength

You can check how much battery power you have left.

**Settings:** The LED Indicator in solid yellow indicates fair battery charge while solid green indicates full charge of the battery.

### Procedure:

Press the preprogrammed **Battery Strength** button to view the battery strength via the LED Indicator.





**MOTOROLA**

MOTOROLA and the Stylized M Logo are registered in the U.S. Patent and Trademark Office. All other product or service names are the property of their respective owners.

© 2007 Motorola, Inc.  
All rights reserved. March 2007.

[www.motorola.com/mototrbo](http://www.motorola.com/mototrbo)



6866574D05-A